

**1** EXAMPLE POST LAYOUT  
PLAN VIEW

**NOTES:**

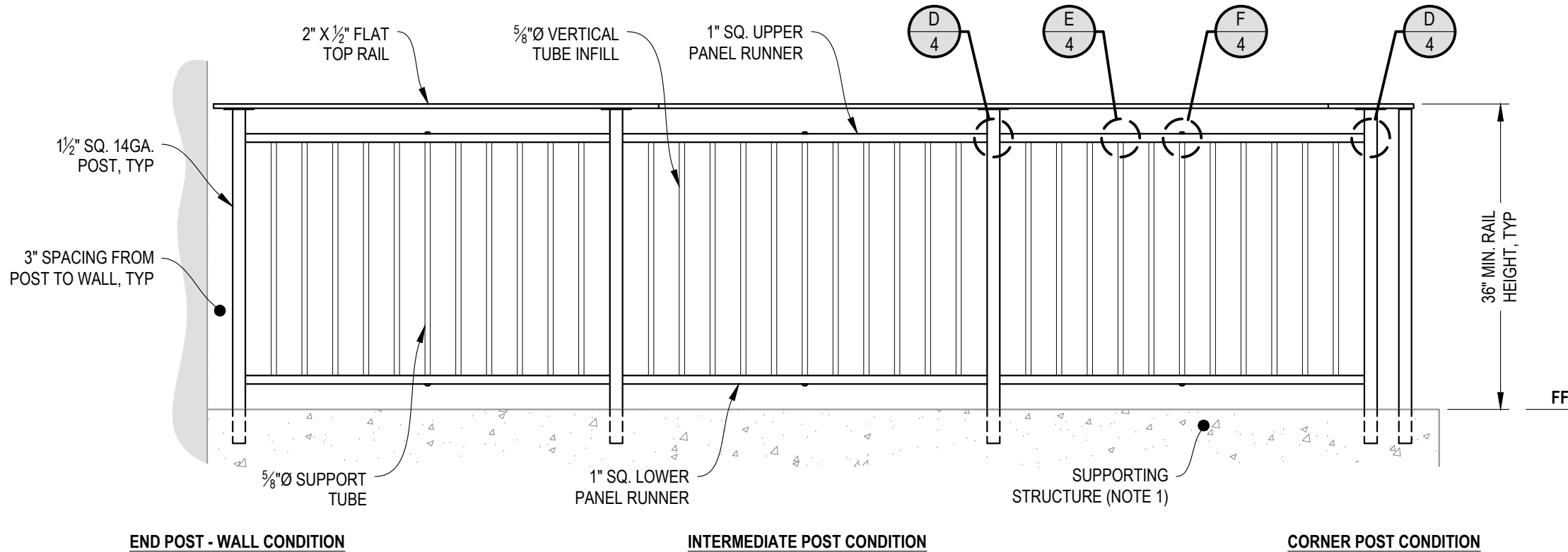
1. TOP RAIL NOT SHOWN FOR CLARITY.
2. ALL PARTS AND COMPONENTS MADE WITH 316 STAINLESS STEEL UNLESS NOTED OTHERWISE.

**LEGEND**

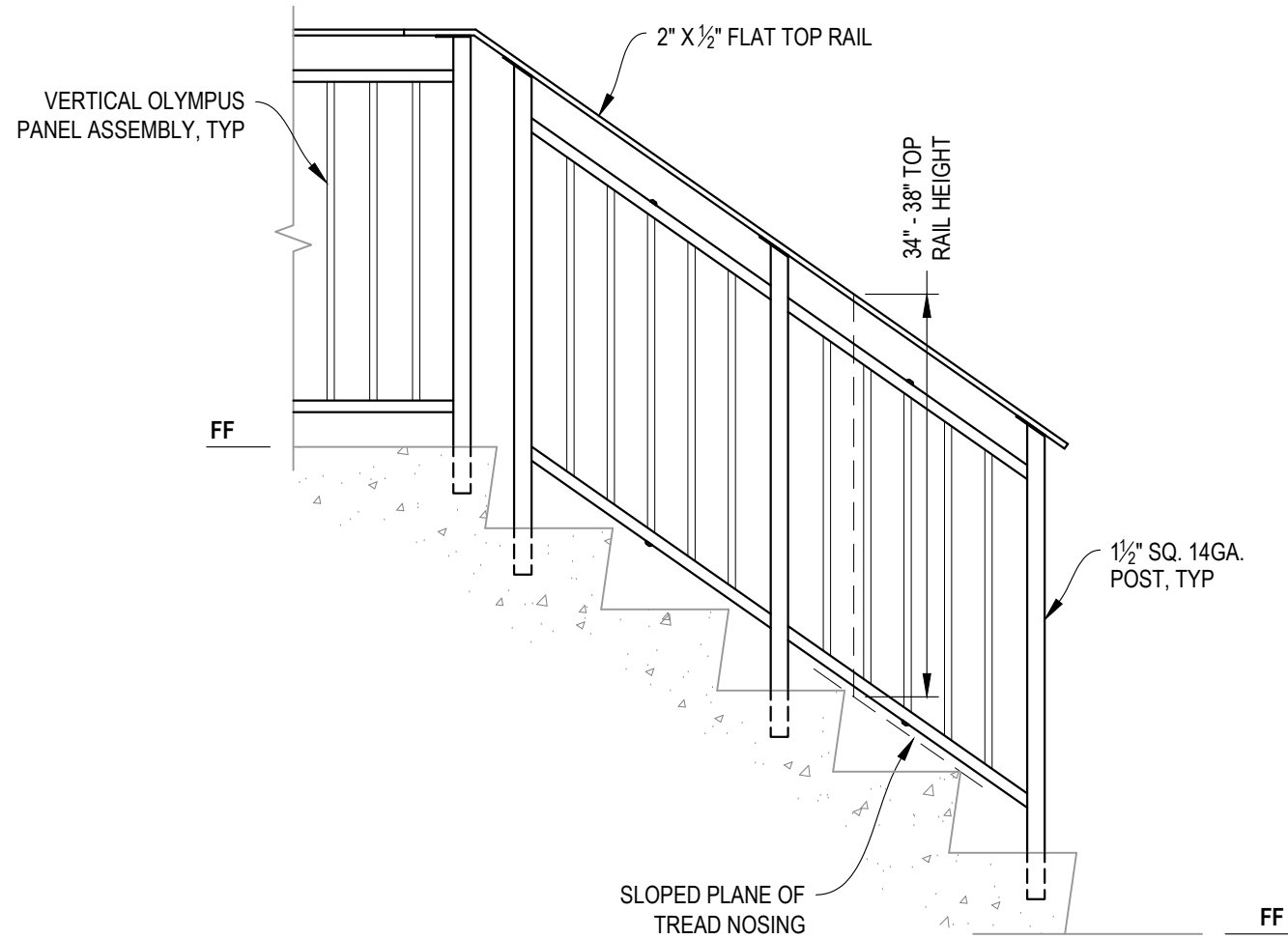
- DETAIL ID
- SHEET ID
- ELEVATION ID
- SHEET ID
- CORE DRILL POST
- CENTERLINE
- FF** FINISHED FLOOR
- TYP TYPICAL CONDITION APPLIES ELSEWHERE AT SIMILAR CONDITIONS

**NOTES:**

1. DECK STRUCTURE CAN VARY GREATLY. IT IS THE RESPONSIBILITY OF THE CUSTOMER TO VERIFY THAT THE SUPPORTING STRUCTURE IS ADEQUATE TO MEET THE LOAD REQUIREMENTS OF THE GOVERNING BUILDING CODE(S). *AGS Stainless Inc.* RECOMMENDS CONSULTING A DESIGN OR CONSTRUCTION PROFESSIONAL TO ADDRESS THESE ISSUES.



**A** **TYPICAL RAILING CONDITION**  
ELEVATION



**NOTES:**

1. STAIR CONSTRUCTION VARIES GREATLY. AS-BUILT CONDITIONS MAY ALTER RAILING DESIGN, INCLUDING POST LOCATION & MOUNTING, INFILL SPACING, AND TOP RAIL LAYOUT.

**A** STAIR  
ELEVATION

AGS Stainless Clearview® Railing Systems are designed to meet the requirements of the latest edition of the IRC/IBC.

7873 NEDAY ROAD  
BAINBRIDGE ISLAND, WA 98110  
PHONE - (888) 842-9492  
WWW.AGSSTAINLESS.COM



VERTICAL OLYMPUS SPECIFICATION DRAWING

\*\* RESIDENTIAL \*\*

36" CORE DRILL - FLAT TOP

DWG #  
CD36F

SCALE  
NONE

DATE  
2026

SHEET

**3**  
OF 7



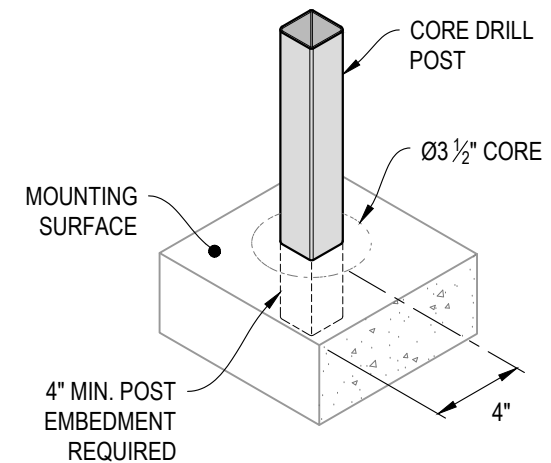
NOTE: 90° SHOWN, OTHER ANGLES SIMILAR

**A** TYPICAL 90° TOP MOUNT OUTSIDE CORNER  
DETAIL



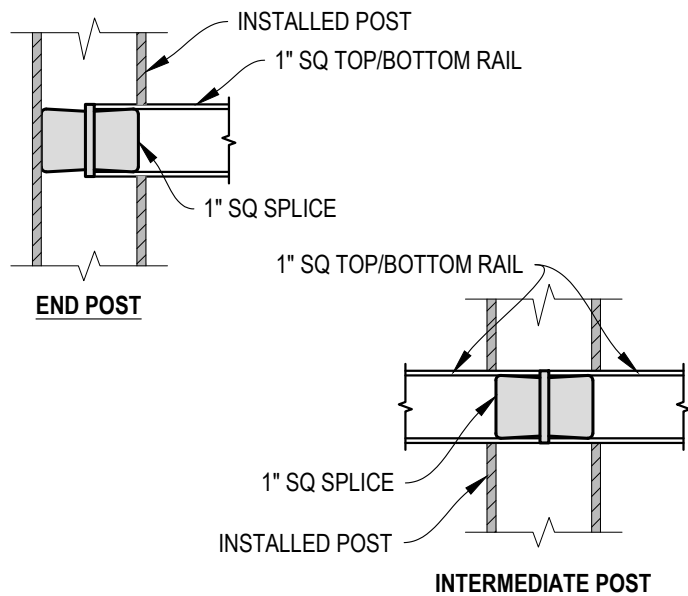
NOTE: 90° SHOWN, OTHER ANGLES SIMILAR

**B** TYPICAL 90° TOP MOUNT INSIDE CORNER  
DETAIL

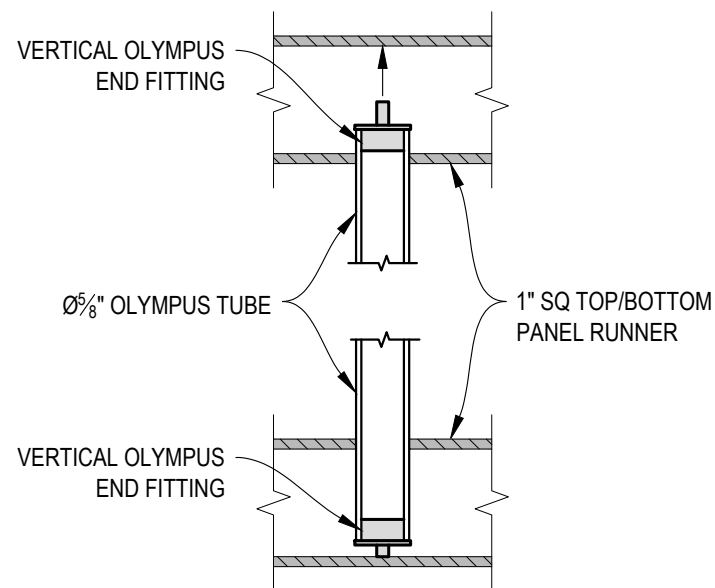


4" MIN. POST  
EMBEDMENT  
REQUIRED

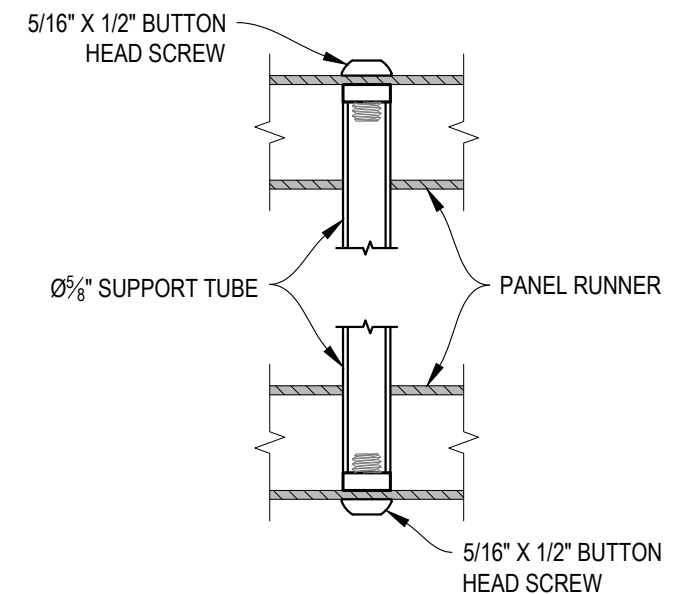
**C** TYPICAL POST MOUNTING - CORE DRILL  
DETAIL



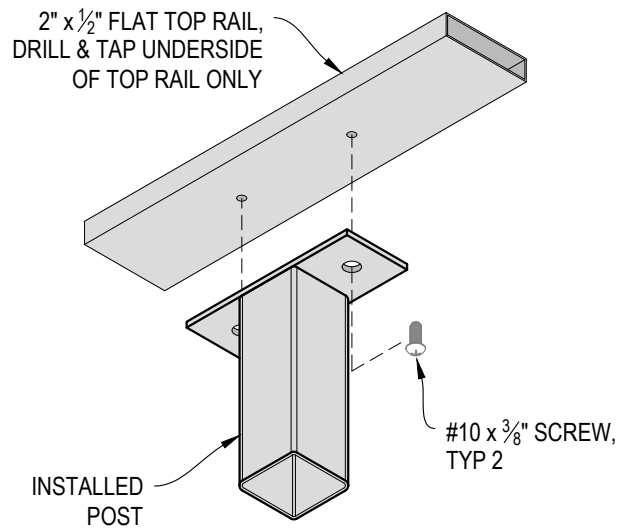
**D** FITTING INSTALLATION - VERTICAL PANEL RAIL SPLICE  
DETAIL



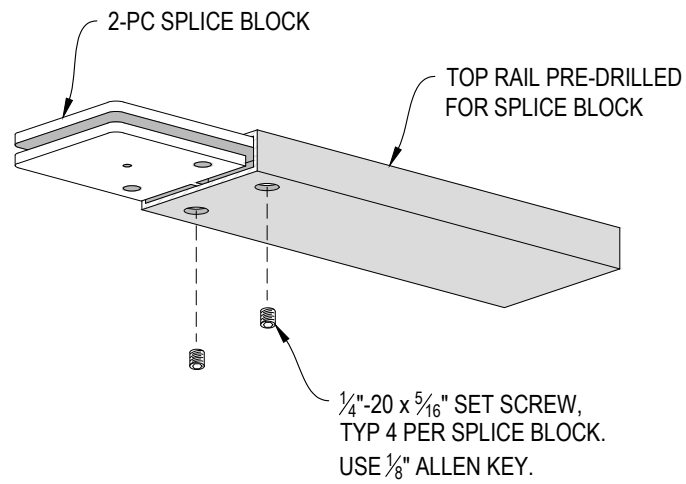
**E** FITTING INSTALLATION - OLYMPUS INSERT  
DETAIL



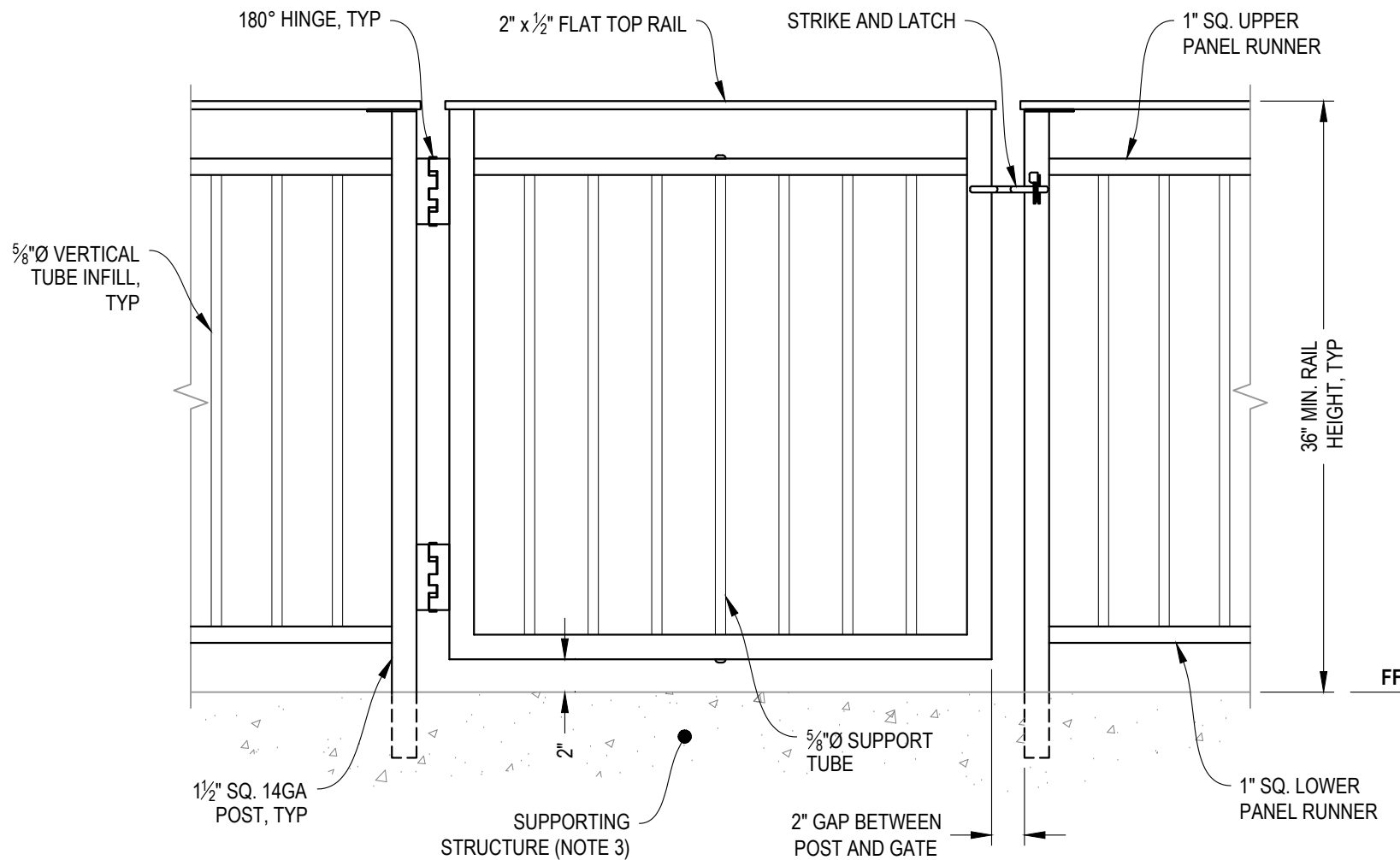
**F** FITTING INSTALLATION - MIDDLE SUPPORT TUBE  
DETAIL



**A** TOP RAIL INSTALLATION - FLAT  
DETAIL



**B** SPLICE BLOCK ASSEMBLY - FLAT  
DETAIL



**NOTES:**

1. ALL PARTS AND COMPONENTS MADE WITH 316 STAINLESS STEEL UNLESS NOTED OTHERWISE.
2. DECK STRUCTURE CAN VARY GREATLY. IT IS THE RESPONSIBILITY OF THE CUSTOMER TO VERIFY THAT THE SUPPORTING STRUCTURE IS ADEQUATE TO MEET THE LOAD REQUIREMENTS OF THE GOVERNING BUILDING CODE(S). *AGS Stainless Inc.* RECOMMENDS CONSULTING A DESIGN OR CONSTRUCTION PROFESSIONAL TO ADDRESS THESE ISSUES.

7873 NE DAY ROAD  
 BAINBRIDGE ISLAND, WA 98110  
 PHONE - (888) 842-9492  
 WWW.AGSSTAINLESS.COM



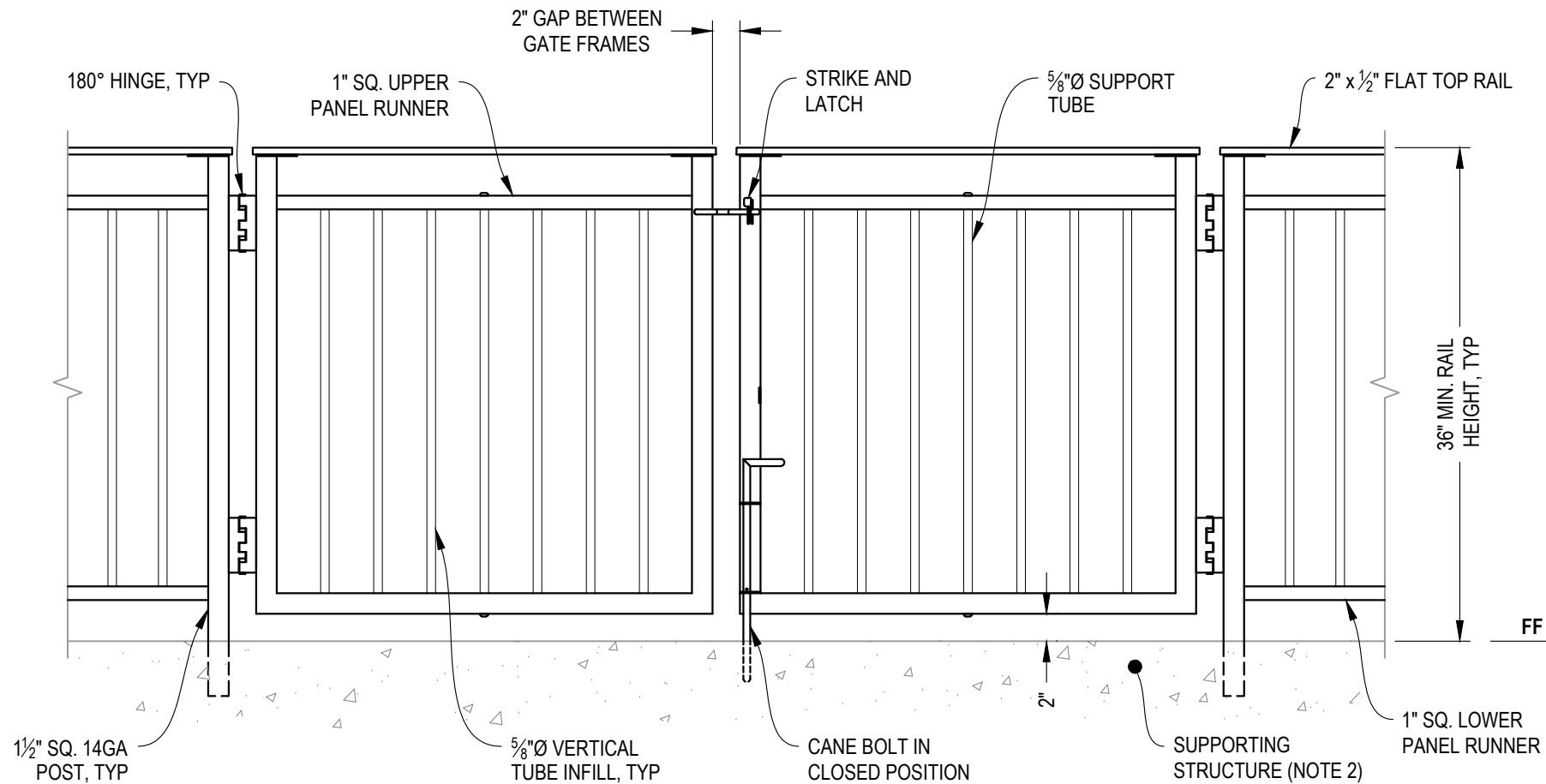
VERTICAL OLYMPUS SPECIFICATION DRAWING  
 \*\* RESIDENTIAL \*\*

36" CORE DRILL GATE - FLAT TOP

|       |       |
|-------|-------|
| DWG # | CD36F |
| SCALE | NONE  |
| DATE  | 2026  |
| SHEET |       |

**6** OF 7

**A** GATE ELEVATION



**NOTES:**

1. ALL PARTS AND COMPONENTS MADE WITH 316 STAINLESS STEEL UNLESS NOTED OTHERWISE.
2. DECK STRUCTURE CAN VARY GREATLY. IT IS THE RESPONSIBILITY OF THE CUSTOMER TO VERIFY THAT THE SUPPORTING STRUCTURE IS ADEQUATE TO MEET THE LOAD REQUIREMENTS OF THE GOVERNING BUILDING CODE(S). AGS Stainless Inc. RECOMMENDS CONSULTING A DESIGN OR CONSTRUCTION PROFESSIONAL TO ADDRESS THESE ISSUES.

7873 NE DAY ROAD  
 BAINBRIDGE ISLAND, WA 98110  
 PHONE - (888) 842-9492  
 WWW.AGSSTAINLESS.COM



VERTICAL OLYMPUS SPECIFICATION DRAWING  
 \*\* RESIDENTIAL \*\*

36" CORE DRILL DOUBLE GATE - FLAT TOP

|       |       |
|-------|-------|
| DWG # | CD36F |
| SCALE | NONE  |
| DATE  | 2026  |
| SHEET |       |

**7** OF 7

**A** **DOUBLE GATE**  
 ELEVATION