

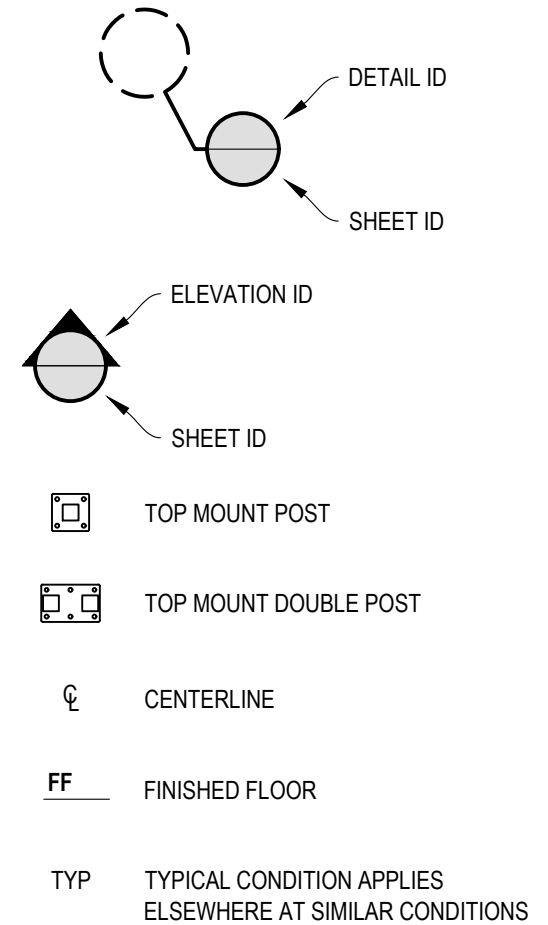
**1** EXAMPLE POST LAYOUT  
PLAN VIEW

AGS Stainless Clearview® Railing Systems are designed to meet the requirements of the latest edition of the IRC/IBC.

**NOTES:**

1. TOP RAIL NOT SHOWN FOR CLARITY.
2. ALL PARTS AND COMPONENTS MADE WITH 316 STAINLESS STEEL UNLESS NOTED OTHERWISE.

**LEGEND**



VERTICAL RAINIER SPECIFICATION DRAWING  
\*\* RESIDENTIAL \*\*

42" TOP MOUNT - WOOD TOP

DWG #  
TM42W

SCALE  
NONE

DATE  
2026

SHEET

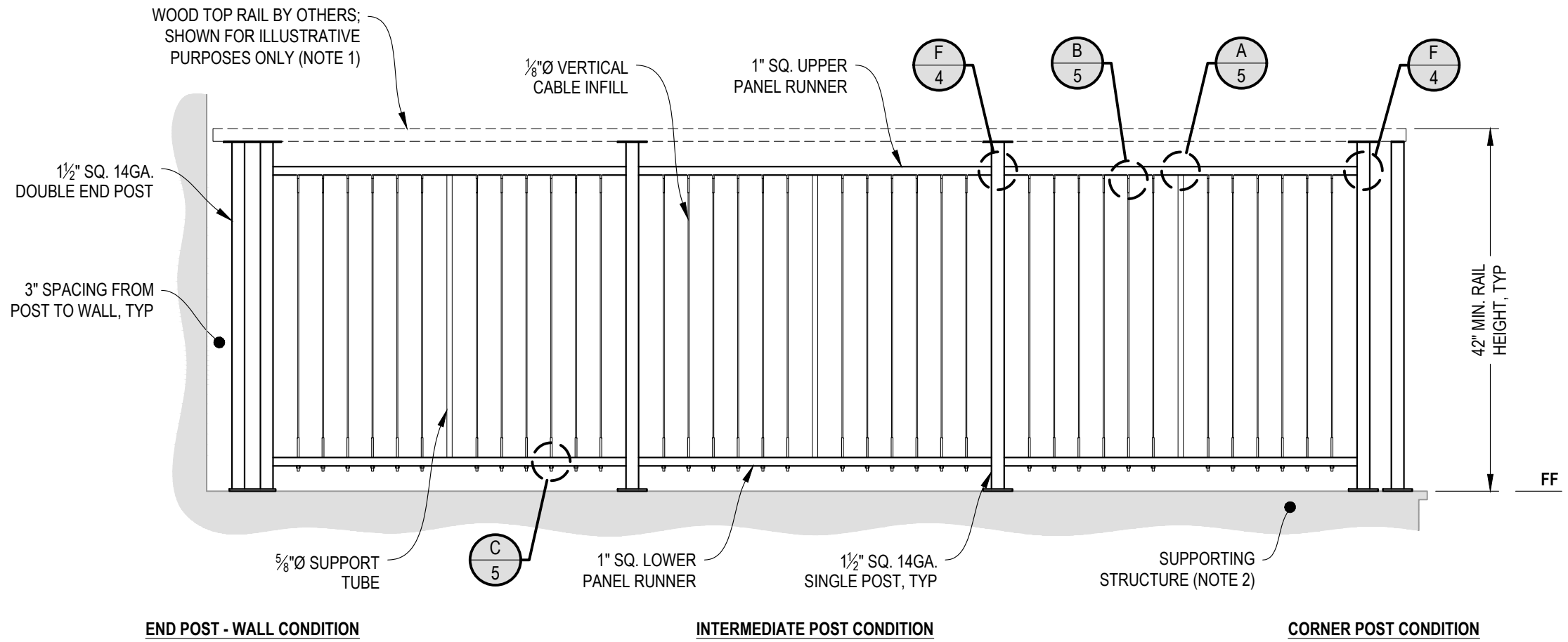
**1** OF 5

7873 NE DAY ROAD  
BAINBRIDGE ISLAND, WA 98110  
PHONE - (888) 842-9492  
WWW.AGSSTAINLESS.COM

**AGS stainless**  
CLEARVIEW® Railing Systems

**NOTES:**

1. TOP RAIL SHOULD BE SELECTED SO THAT ALL GOVERNING CODE REQUIREMENTS ARE SATISFIED. THESE INCLUDE SHAPE, STRENGTH AND RAILING HEIGHT.
2. DECK STRUCTURE CAN VARY GREATLY. IT IS THE RESPONSIBILITY OF THE CUSTOMER TO VERIFY THAT THE SUPPORTING STRUCTURE IS ADEQUATE TO MEET THE LOAD REQUIREMENTS OF THE GOVERNING BUILDING CODE(S). AGS Stainless Inc. RECOMMENDS CONSULTING A DESIGN OR CONSTRUCTION PROFESSIONAL TO ADDRESS THESE ISSUES.



**END POST - WALL CONDITION**

**INTERMEDIATE POST CONDITION**

**CORNER POST CONDITION**

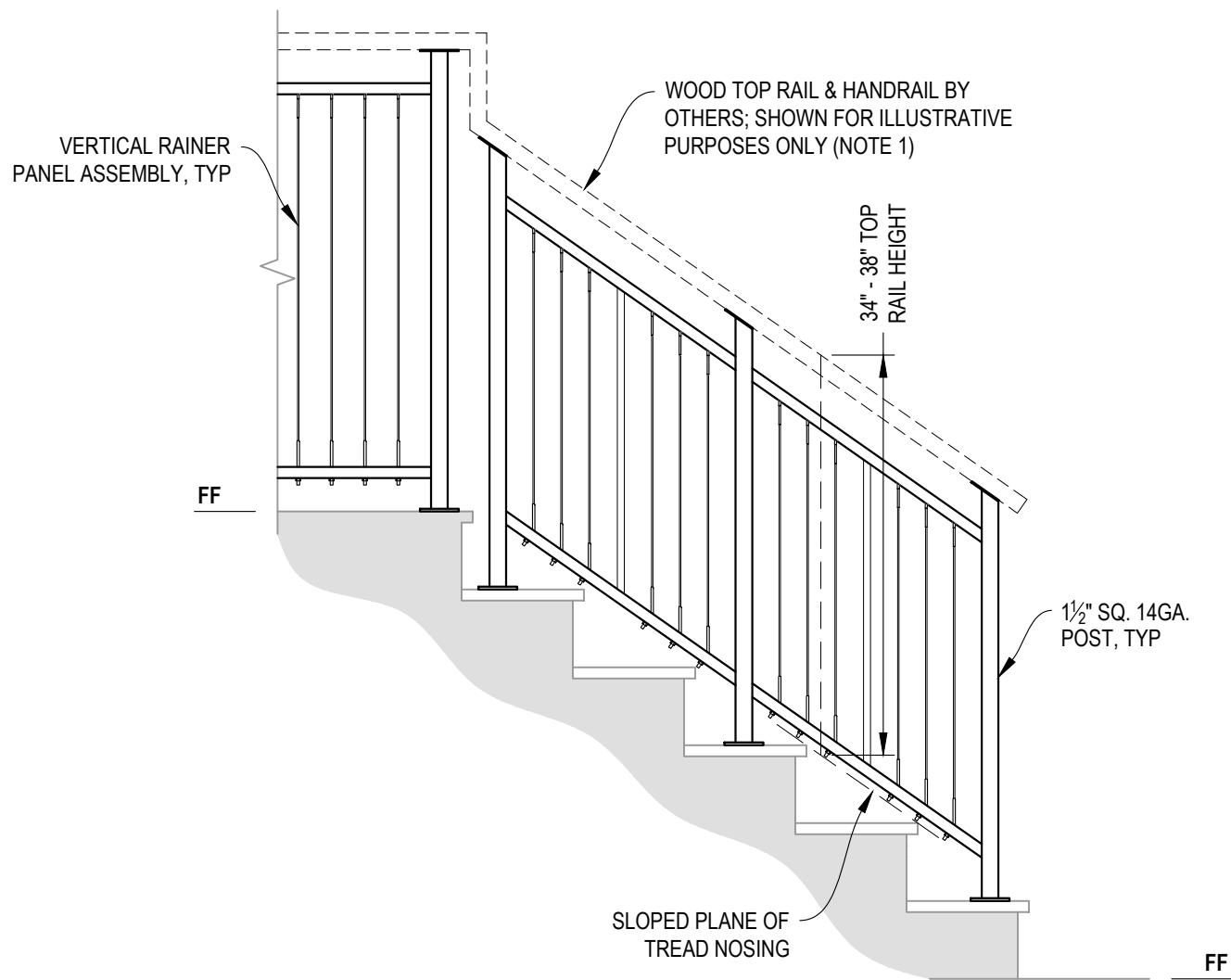
**A TYPICAL RAILING CONDITION ELEVATION**

VERTICAL RAINER SPECIFICATION DRAWING

\*\* RESIDENTIAL \*\*

42" TOP MOUNT - WOOD TOP

DWG #	TM42W
SCALE	NONE
DATE	2026
SHEET	



**A** STAIR  
ELEVATION

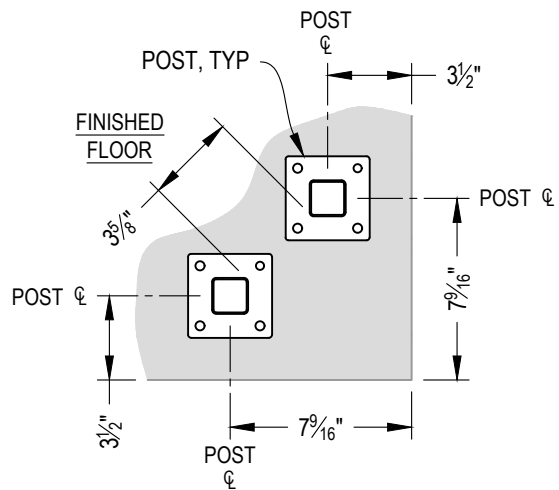
**NOTES:**

1. TOP RAIL SHOULD BE SELECTED SO THAT ALL GOVERNING CODE REQUIREMENTS ARE SATISFIED. THESE INCLUDE SHAPE, STRENGTH, AND RAILING HEIGHT.
2. STAIR CONSTRUCTION VARIES GREATLY. AS-BUILT CONDITIONS MAY ALTER RAILING DESIGN, INCLUDING POST LOCATION & MOUNTING, INFILL SPACING, AND TOP RAIL LAYOUT.

VERTICAL RAINER SPECIFICATION DRAWING  
\*\* RESIDENTIAL \*\*

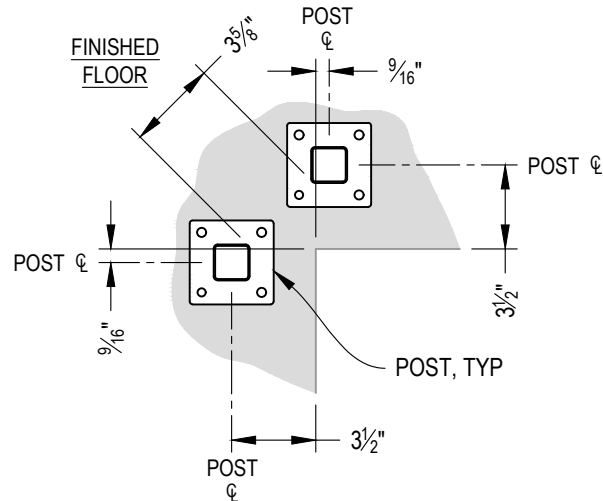
42" TOP MOUNT - WOOD TOP

DWG #	TM42W
SCALE	NONE
DATE	2026
SHEET	



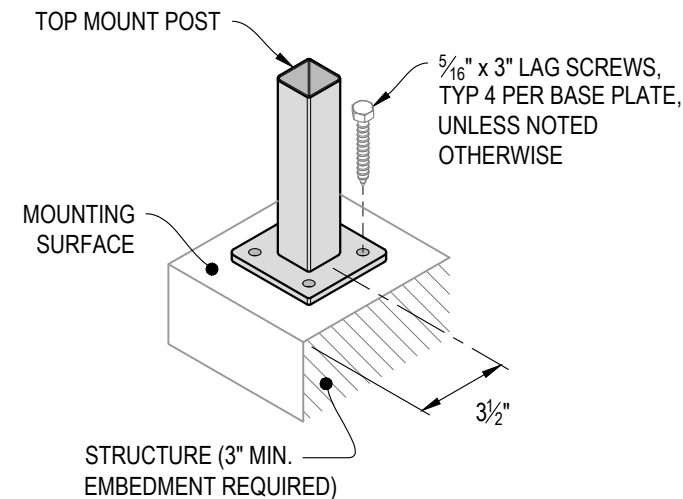
NOTE: 90° SHOWN, OTHER ANGLES SIMILAR

**A** TYPICAL 90° TOP MOUNT OUTSIDE CORNER  
DETAIL



NOTE: 90° SHOWN, OTHER ANGLES SIMILAR

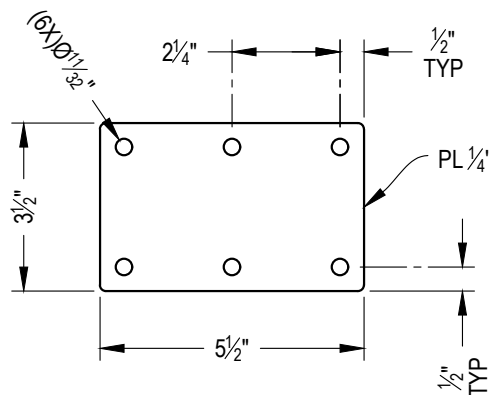
**B** TYPICAL 90° TOP MOUNT INSIDE CORNER  
DETAIL



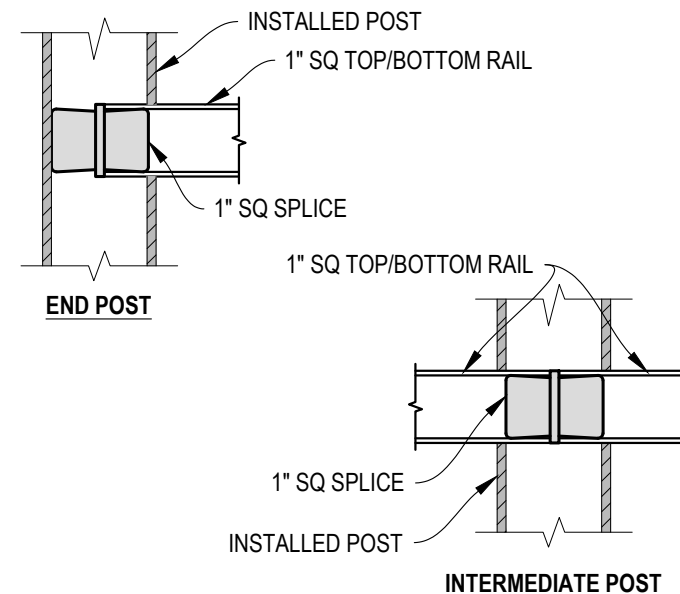
**C** TYPICAL POST MOUNTING - TOP MOUNT  
DETAIL



**D** TYPICAL BASE PLATE  
DETAIL



**E** TYPICAL DOUBLE BASE PLATE  
DETAIL



**F** FITTING INSTALLATION - VERTICAL PANEL RAIL SPLICE  
DETAIL

VERTICAL RAINIER SPECIFICATION DRAWING  
\*\* RESIDENTIAL \*\*

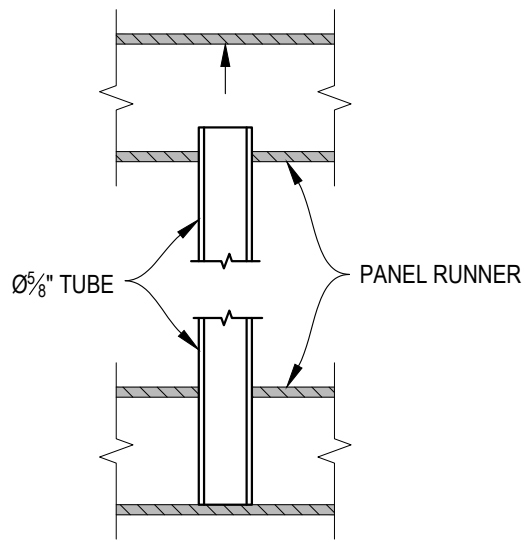
42" TOP MOUNT - WOOD TOP

DWG # TM42W  
SCALE NONE  
DATE 2026  
SHEET

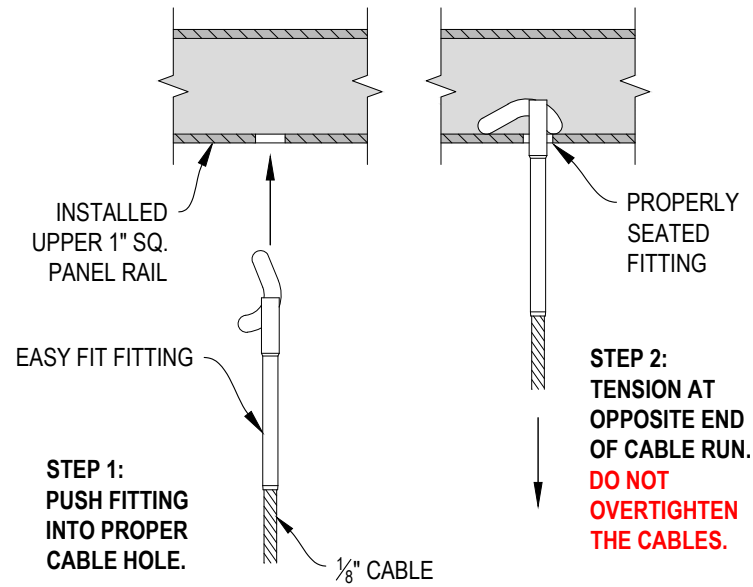
4 OF 5

**AGS** stainless  
CLEARVIEW® Railing Systems

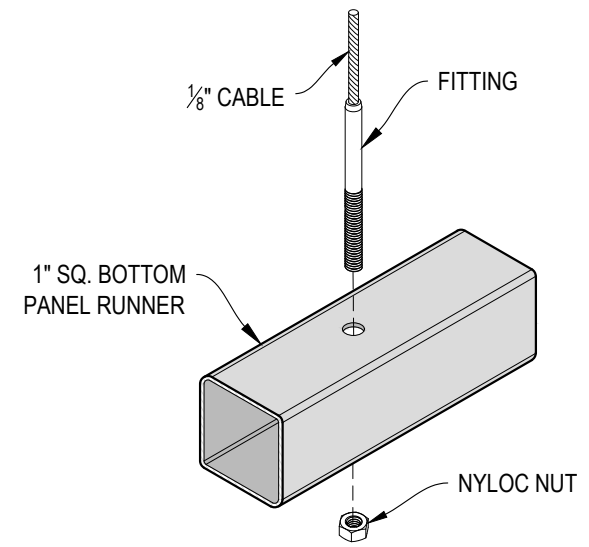
7873 NEDAY ROAD  
BAINBRIDGE ISLAND, WA 98110  
PHONE - (888) 842-9492  
WWW.AGSSTAINLESS.COM



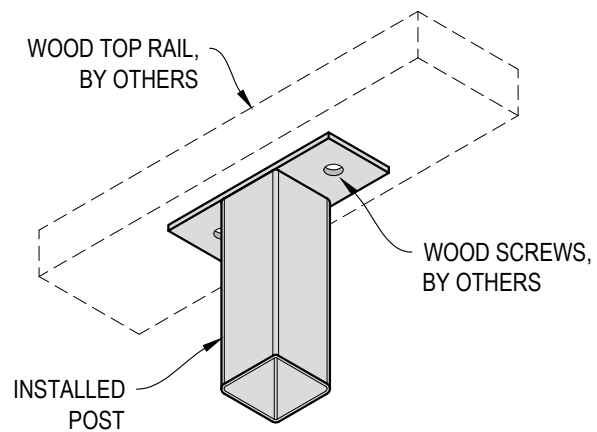
**A** PANEL SUPPORT TUBE INSTALLATION  
DETAIL



**B** FITTING INSTALLATION - EASY FIT  
DETAIL



**C** FITTING INSTALLATION - STANDARD  
DETAIL



**D** TOP RAIL INSTALLATION - WOOD  
DETAIL