

**1** **EXAMPLE POST LAYOUT**  
PLAN VIEW

AGS Stainless Clearview® Railing Systems are designed to meet the requirements of the latest edition of the IRC/IBC.

**NOTES:**

1. TOP RAIL NOT SHOWN FOR CLARITY.
2. ALL PARTS AND COMPONENTS MADE WITH 316 STAINLESS STEEL UNLESS NOTED OTHERWISE.

**LEGEND**

- DETAIL ID
- SHEET ID
- ELEVATION ID
- TOP MOUNT POST
- TOP MOUNT DOUBLE POST
- CENTERLINE
- FINISHED FLOOR
- TYPICAL CONDITION APPLIES ELSEWHERE AT SIMILAR CONDITIONS

7873 NE DAY ROAD  
BAINBRIDGE ISLAND, WA 98110  
PHONE - (888) 842-9492  
WWW.AGSSTAINLESS.COM

**AGS stainless**  
CLEARVIEW® Railing Systems

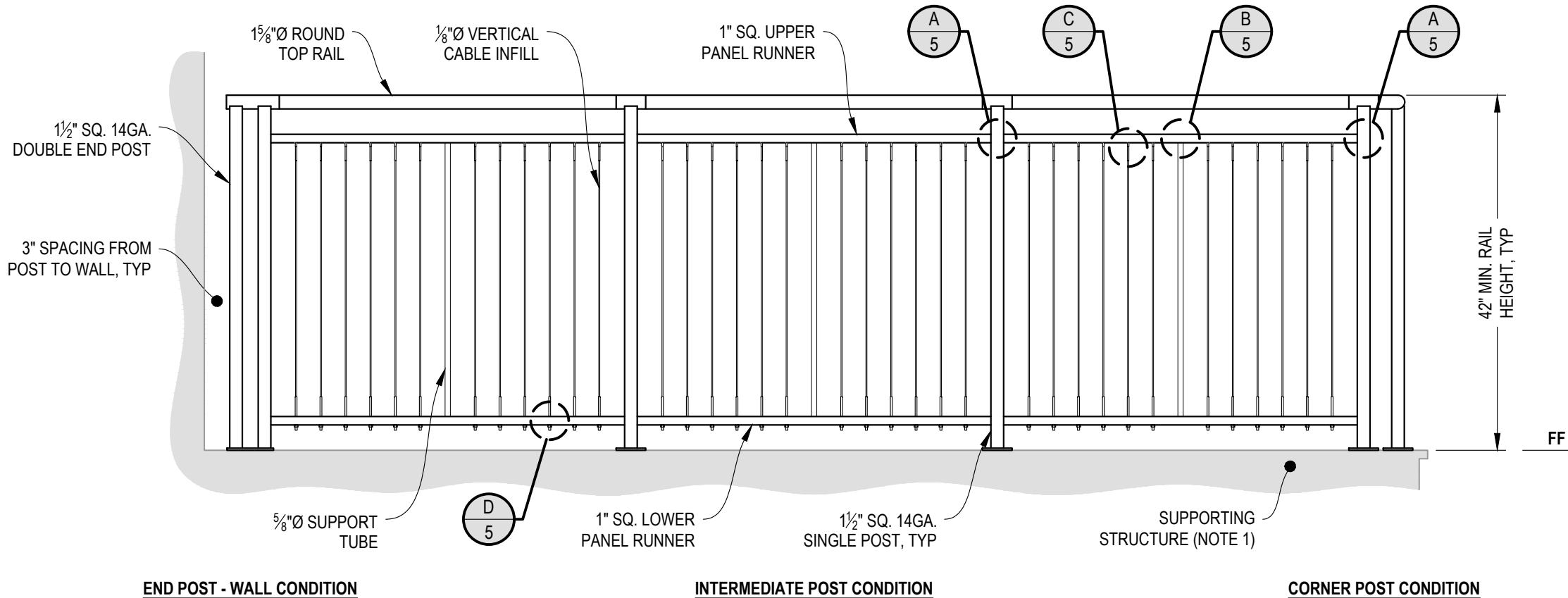
VERTICAL RAINIER SPECIFICATION DRAWING  
\*\* RESIDENTIAL \*\*

**42" TOP MOUNT - ROUND TOP**

DWG #	TM42R
SCALE	NONE
DATE	2026
SHEET	<b>1</b> OF 5

**NOTES:**

1. DECK STRUCTURE CAN VARY GREATLY. IT IS THE RESPONSIBILITY OF THE CUSTOMER TO VERIFY THAT THE SUPPORTING STRUCTURE IS ADEQUATE TO MEET THE LOAD REQUIREMENTS OF THE GOVERNING BUILDING CODE(S). *AGS Stainless Inc.* RECOMMENDS CONSULTING A DESIGN OR CONSTRUCTION PROFESSIONAL TO ADDRESS THESE ISSUES.



**END POST - WALL CONDITION**

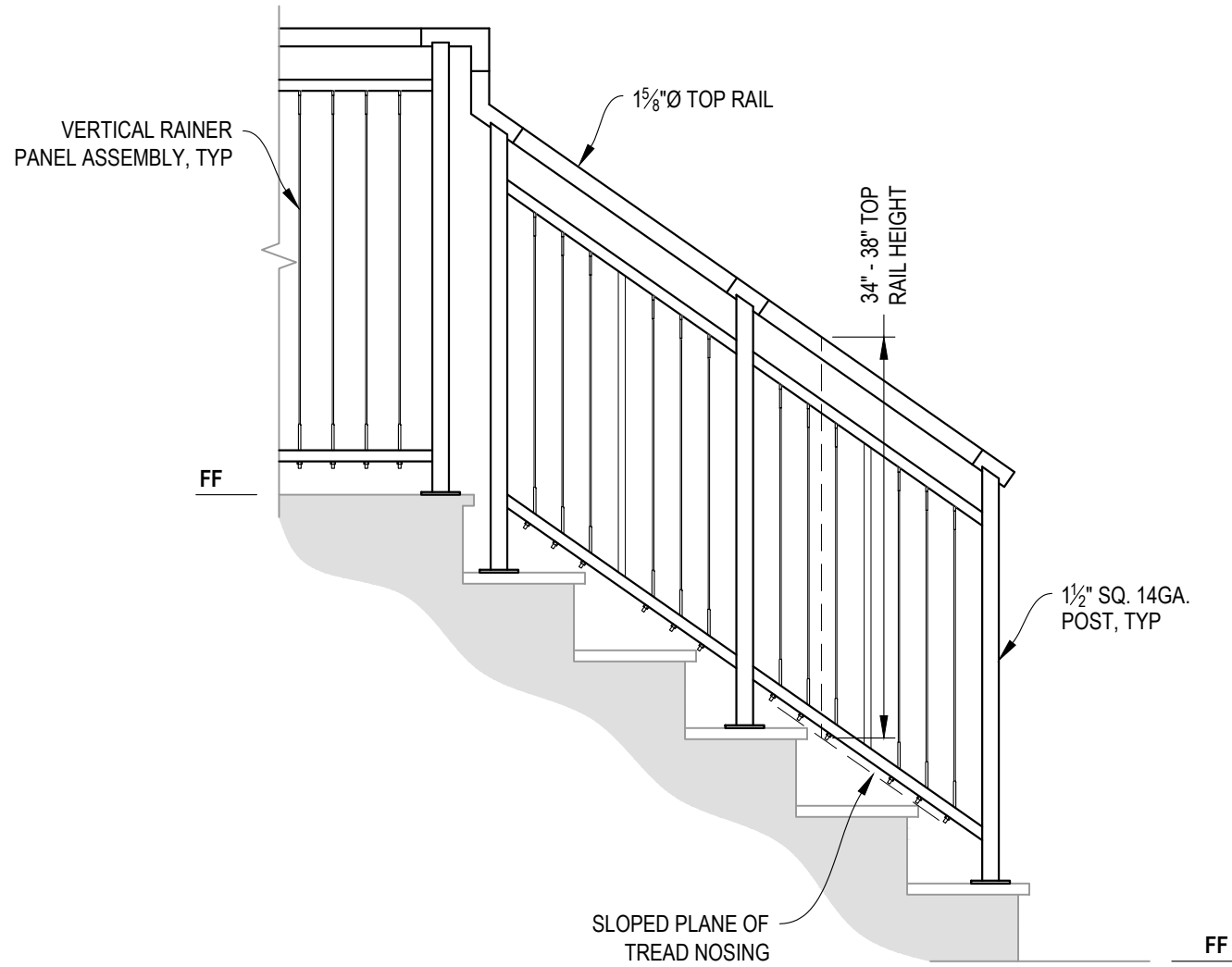
**INTERMEDIATE POST CONDITION**

**CORNER POST CONDITION**

**A TYPICAL RAILING CONDITION ELEVATION**

**NOTES:**

1. STAIR CONSTRUCTION VARIES GREATLY. AS-BUILT CONDITIONS MAY ALTER RAILING DESIGN, INCLUDING POST LOCATION & MOUNTING, INFILL SPACING, AND TOP RAIL LAYOUT.



**A** STAIR  
ELEVATION

AGS Stainless Clearview® Railing Systems are designed to meet the requirements of the latest edition of the IRC/IBC.

VERTICAL RAINER SPECIFICATION DRAWING  
\*\* RESIDENTIAL \*\*

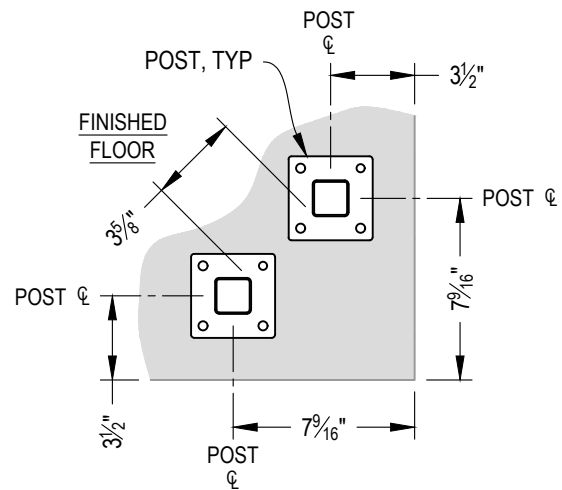
42" TOP MOUNT - ROUND TOP

DWG #  
TM42R  
SCALE  
NONE  
DATE  
2026  
SHEET

**3** OF **5**

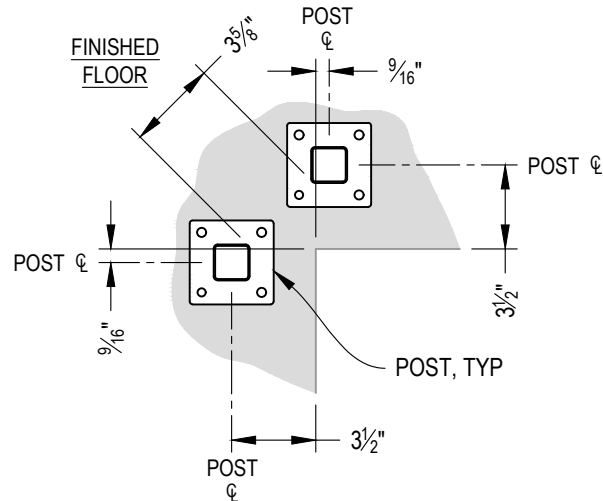
7873 NEDAY ROAD  
BAINBRIDGE ISLAND, WA 98110  
PHONE - (888) 842-9492  
WWW.AGSSTAINLESS.COM

**AGS** stainless  
CLEARVIEW® Railing Systems



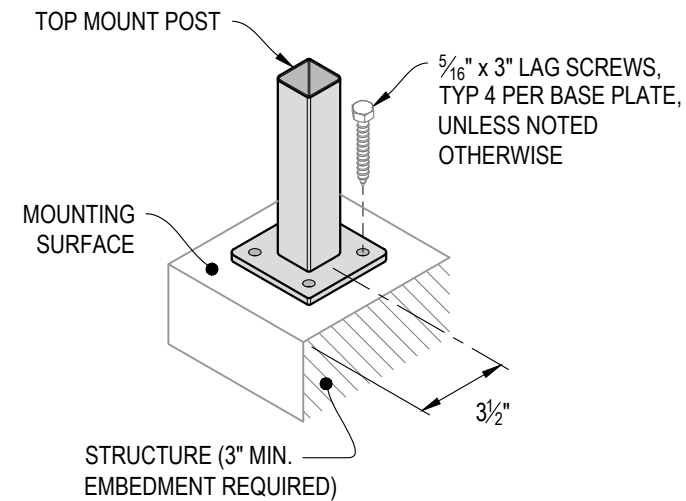
NOTE: 90° SHOWN, OTHER ANGLES SIMILAR

**A** TYPICAL 90° TOP MOUNT OUTSIDE CORNER  
DETAIL



NOTE: 90° SHOWN, OTHER ANGLES SIMILAR

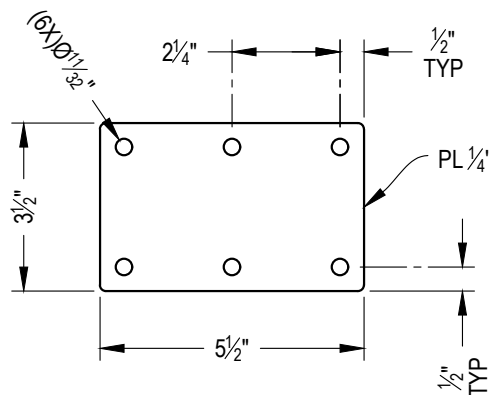
**B** TYPICAL 90° TOP MOUNT INSIDE CORNER  
DETAIL



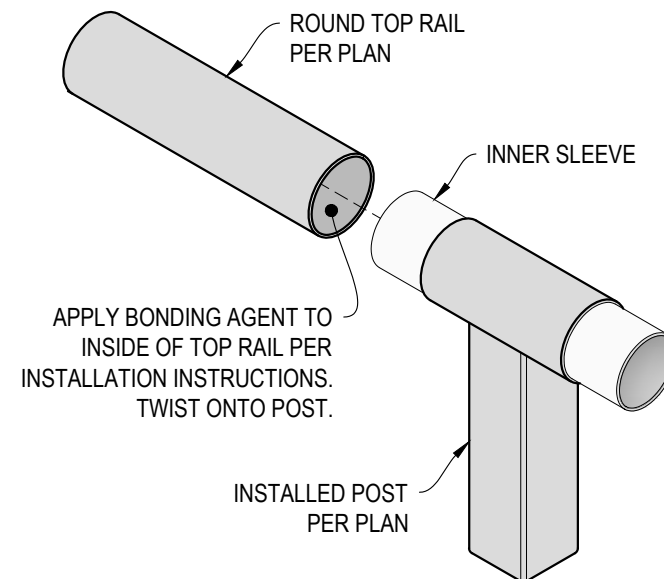
**C** TYPICAL POST MOUNTING - TOP MOUNT  
DETAIL



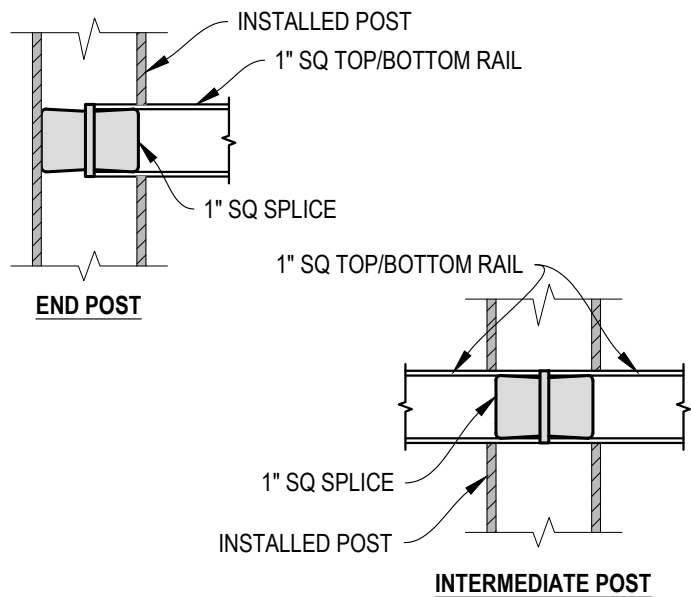
**D** TYPICAL BASE PLATE  
DETAIL



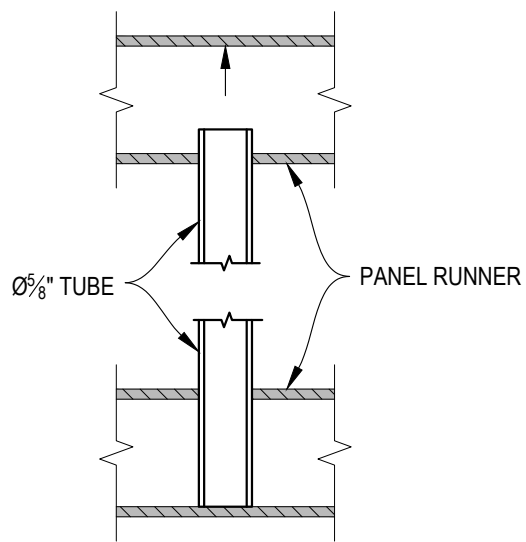
**E** TYPICAL DOUBLE BASE PLATE  
DETAIL



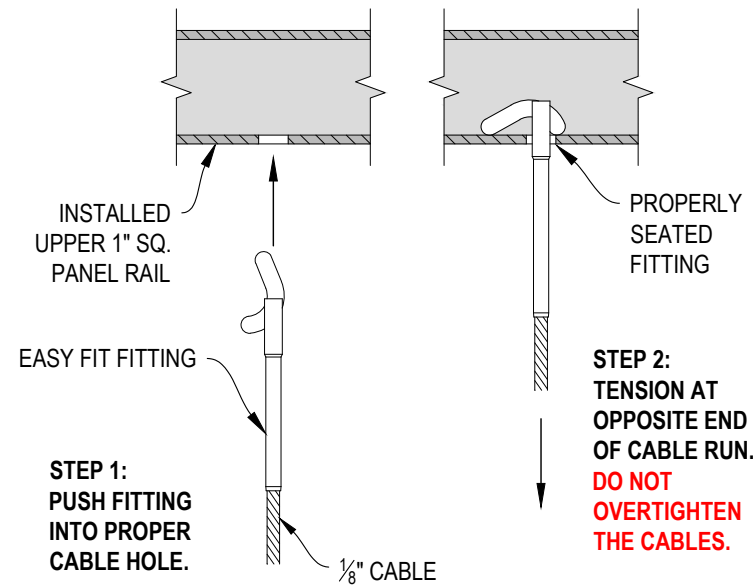
**F** TOP RAIL INSTALLATION - ROUND  
DETAIL



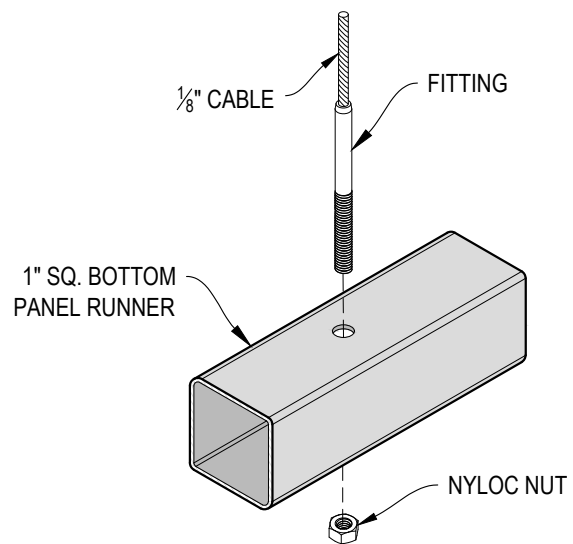
**A** FITTING INSTALLATION - VERTICAL PANEL RAIL SPLICE  
DETAIL



**B** PANEL SUPPORT TUBE INSTALLATION  
DETAIL



**C** FITTING INSTALLATION - EASY FIT  
DETAIL



**D** FITTING INSTALLATION - STANDARD  
DETAIL

AGS Stainless Clearview® Railing Systems are designed to meet the requirements of the latest edition of the IRC/IBC.

7873 NEDAY ROAD  
BAINBRIDGE ISLAND, WA 98110  
PHONE - (888) 842-9492  
WWW.AGSSTAINLESS.COM



VERTICAL RAINIER SPECIFICATION DRAWING  
\*\* RESIDENTIAL \*\*

42" TOP MOUNT - ROUND TOP

DWG #  
TM42R

SCALE  
NONE

DATE  
2026

SHEET

**5**  
OF 5