

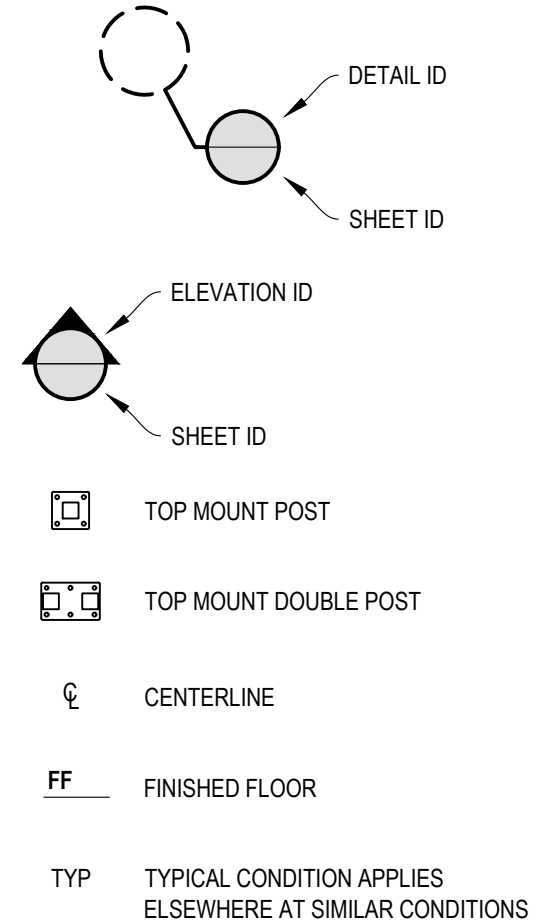
**1** **EXAMPLE POST LAYOUT**  
PLAN VIEW

AGS Stainless Clearview® Railing Systems are designed to meet the requirements of the latest edition of the IRC/IBC.

**NOTES:**

1. TOP RAIL NOT SHOWN FOR CLARITY.
2. ALL PARTS AND COMPONENTS MADE WITH 316 STAINLESS STEEL UNLESS NOTED OTHERWISE.

**LEGEND**



VERTICAL RAINIER SPECIFICATION DRAWING  
\*\* RESIDENTIAL \*\*

42" TOP MOUNT - FLAT TOP

DWG #  
TM42F  
SCALE  
NONE  
DATE  
2026  
SHEET

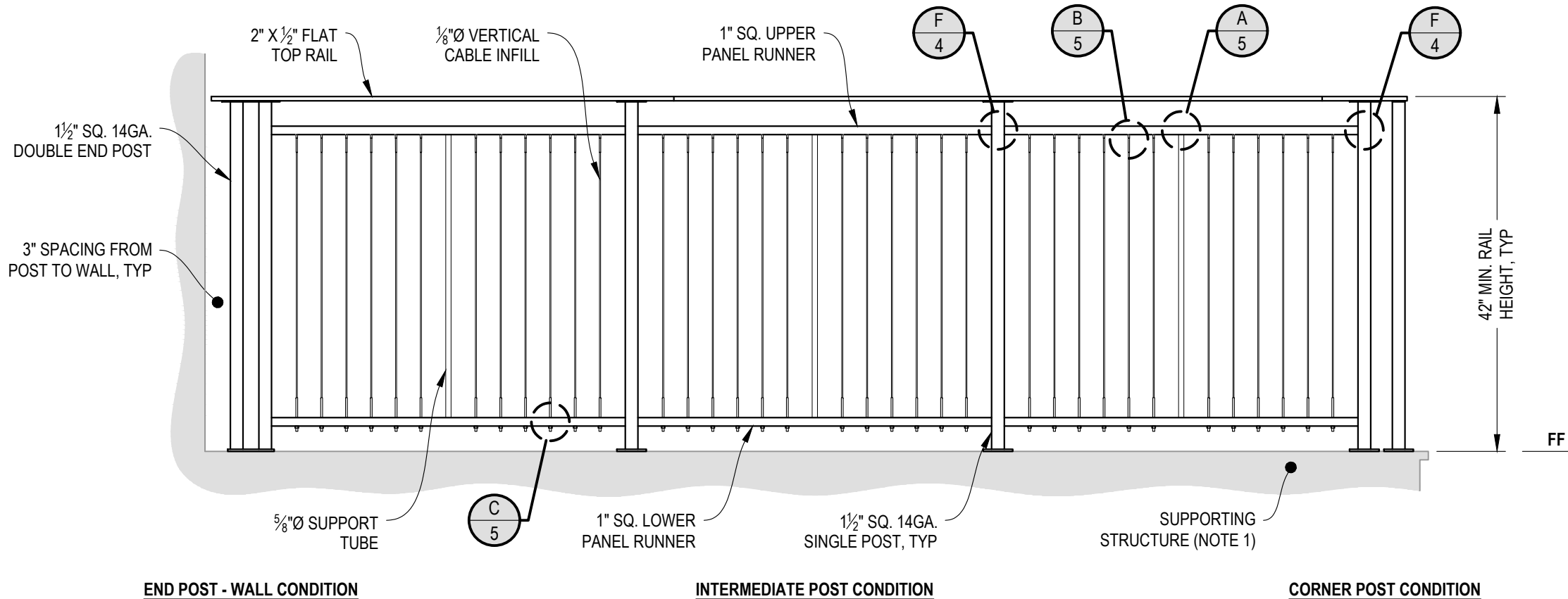
**1**  
OF 5

7873 NE DAY ROAD  
BAINBRIDGE ISLAND, WA 98110  
PHONE - (888) 842-9492  
WWW.AGSSTAINLESS.COM

**AGS stainless**  
CLEARVIEW® Railing Systems

**NOTES:**

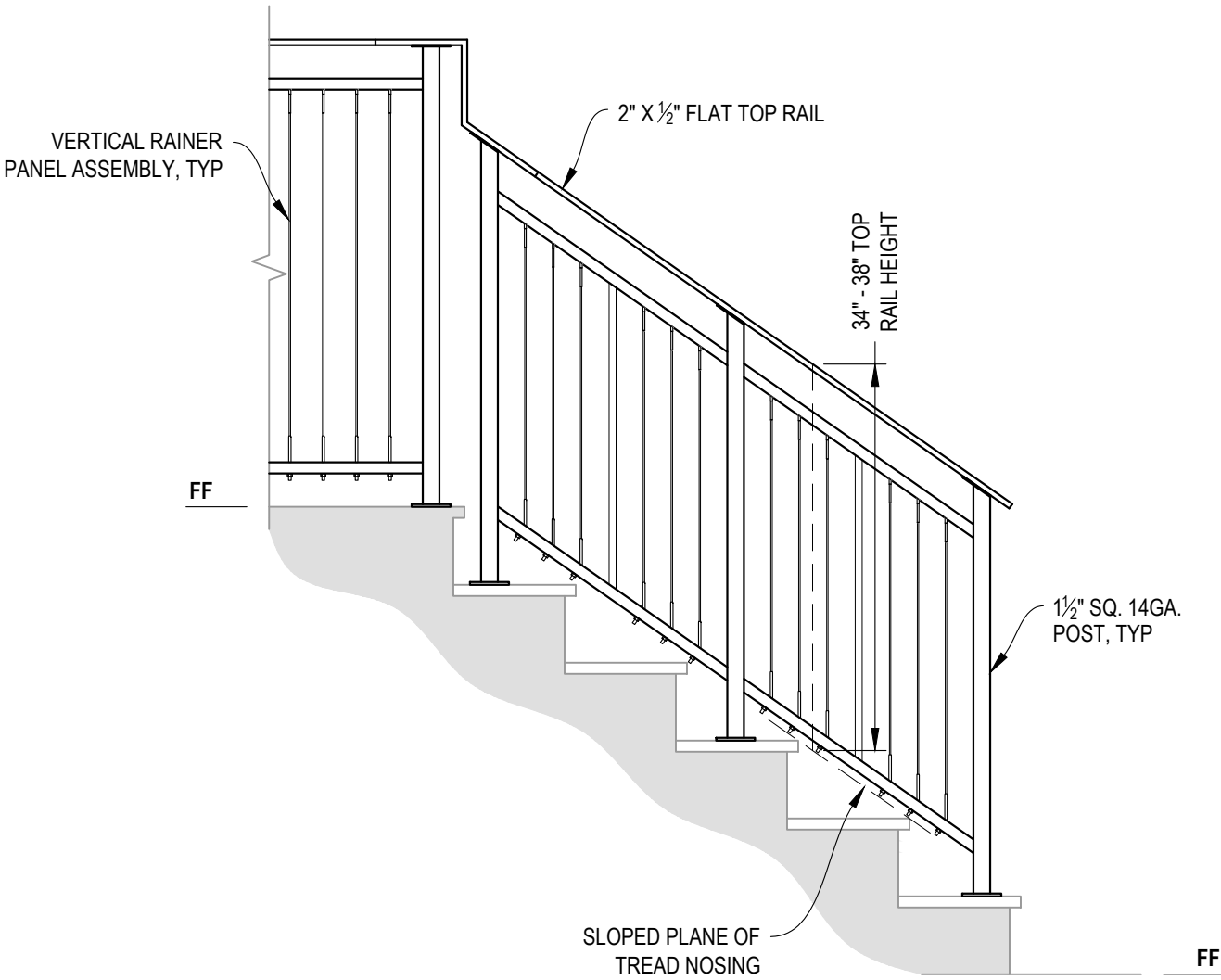
1. DECK STRUCTURE CAN VARY GREATLY. IT IS THE RESPONSIBILITY OF THE CUSTOMER TO VERIFY THAT THE SUPPORTING STRUCTURE IS ADEQUATE TO MEET THE LOAD REQUIREMENTS OF THE GOVERNING BUILDING CODE(S). *AGS Stainless Inc.* RECOMMENDS CONSULTING A DESIGN OR CONSTRUCTION PROFESSIONAL TO ADDRESS THESE ISSUES.



**A** **TYPICAL RAILING CONDITION**  
ELEVATION

**NOTES:**

1. STAIR CONSTRUCTION VARIES GREATLY. AS-BUILT CONDITIONS MAY ALTER RAILING DESIGN, INCLUDING POST LOCATION & MOUNTING, INFILL SPACING, AND TOP RAIL LAYOUT.



**A** STAIR ELEVATION

AGS Stainless Clearview® Railing Systems are designed to meet the requirements of the latest edition of the IRC/IBC.

VERTICAL RAINER SPECIFICATION DRAWING

\*\* RESIDENTIAL \*\*

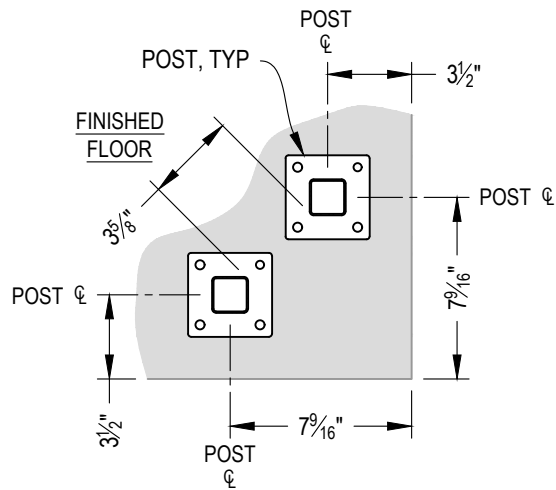
42" TOP MOUNT - FLAT TOP

DWG #	TM42F
SCALE	NONE
DATE	2026
SHEET	

**3** OF **5**

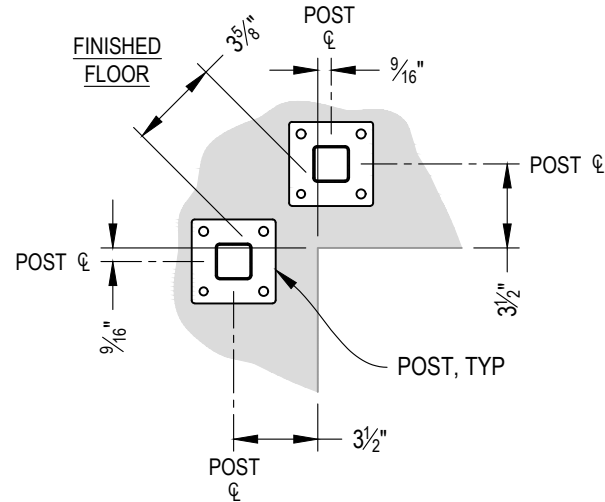
7873 NE DAY ROAD  
 BAINBRIDGE ISLAND, WA 98110  
 PHONE - (888) 842-9492  
 WWW.AGSSTAINLESS.COM

**AGS stainless**  
 CLEARVIEW® Railing Systems



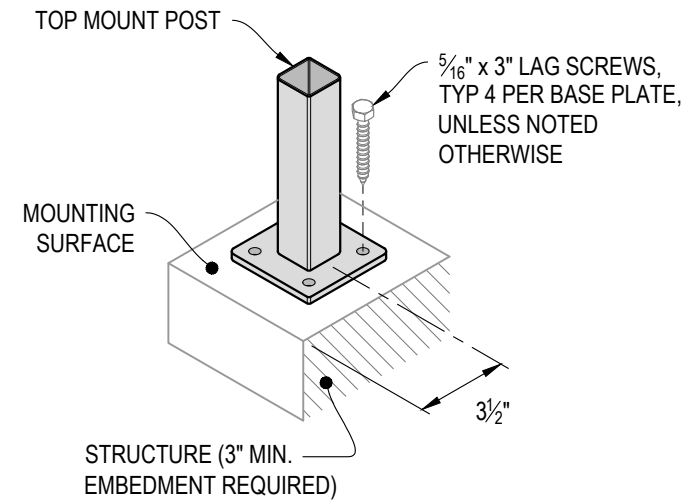
NOTE: 90° SHOWN, OTHER ANGLES SIMILAR

**A** TYPICAL 90° TOP MOUNT OUTSIDE CORNER  
DETAIL

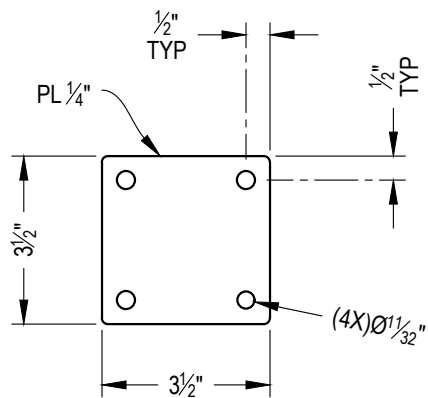


NOTE: 90° SHOWN, OTHER ANGLES SIMILAR

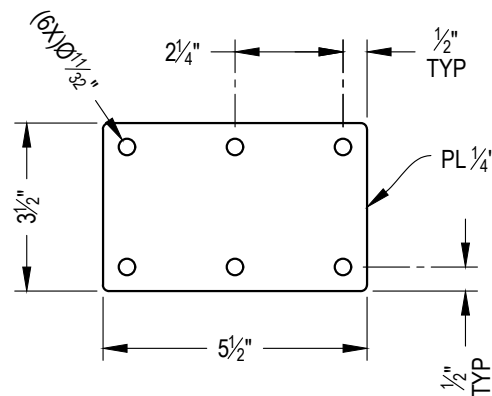
**B** TYPICAL 90° TOP MOUNT INSIDE CORNER  
DETAIL



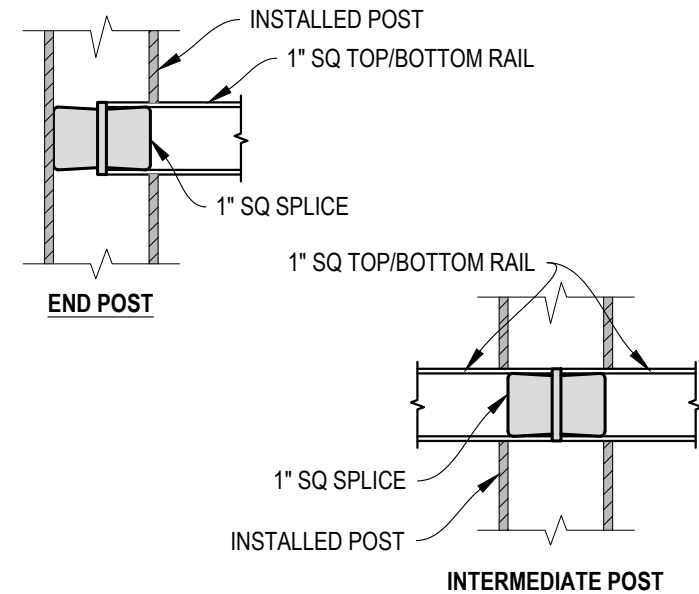
**C** TYPICAL POST MOUNTING - TOP MOUNT  
DETAIL



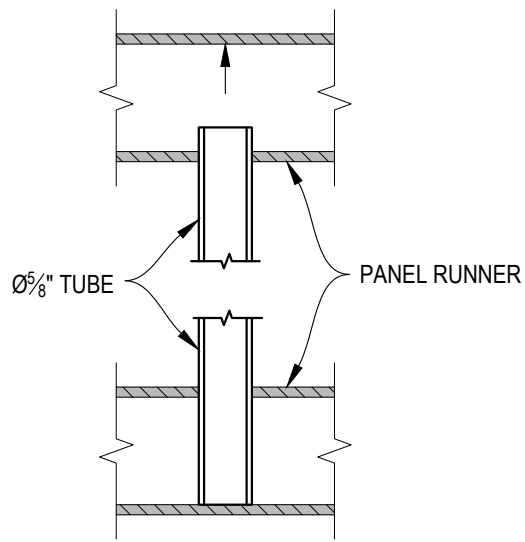
**D** TYPICAL BASE PLATE  
DETAIL



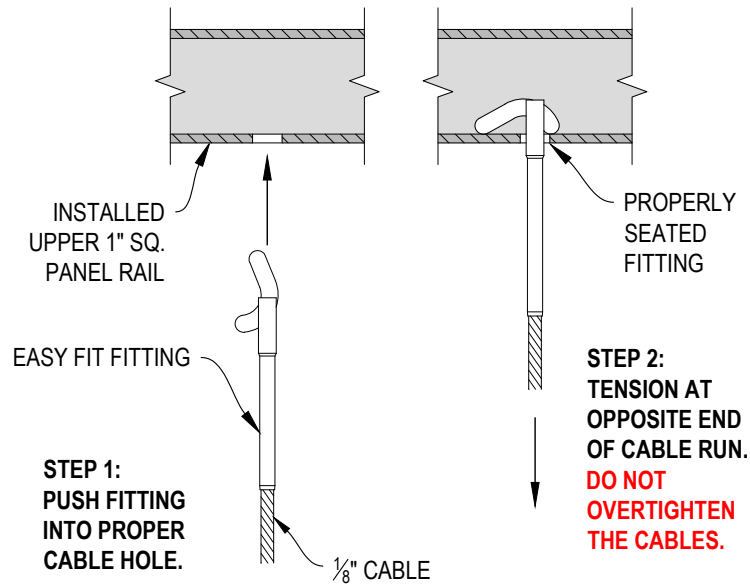
**E** TYPICAL DOUBLE BASE PLATE  
DETAIL



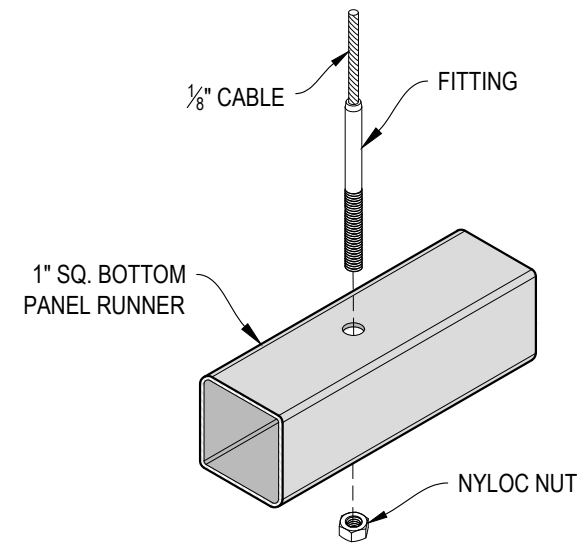
**F** FITTING INSTALLATION - VERTICAL PANEL RAIL SPLICE  
DETAIL



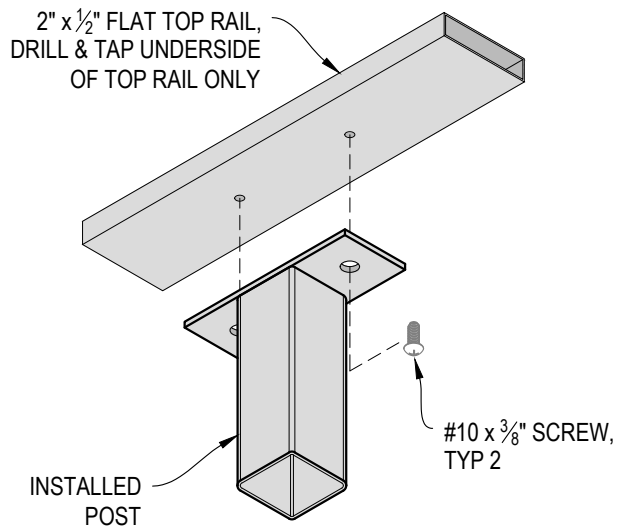
**A** PANEL SUPPORT TUBE INSTALLATION  
DETAIL



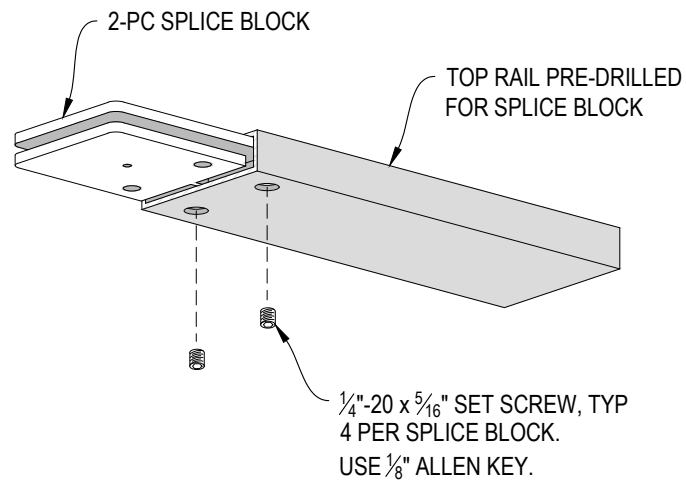
**B** FITTING INSTALLATION - EASY FIT  
DETAIL



**C** FITTING INSTALLATION - STANDARD  
DETAIL



**D** TOP RAIL INSTALLATION - FLAT  
DETAIL



**E** SPLICE BLOCK ASSEMBLY - FLAT  
DETAIL