

1 **EXAMPLE POST LAYOUT**
PLAN VIEW

AGS Stainless Clearview® Railing Systems are designed to meet the requirements of the latest edition of the IRC/IBC.

NOTES:

1. TOP RAIL NOT SHOWN FOR CLARITY.
2. ALL PARTS AND COMPONENTS MADE WITH 316 STAINLESS STEEL UNLESS NOTED OTHERWISE.

LEGEND

- DETAIL ID
- SHEET ID
- ELEVATION ID
- SHEET ID
- TOP MOUNT POST
- CENTERLINE
- FF** FINISHED FLOOR
- TYP TYPICAL CONDITION APPLIES ELSEWHERE AT SIMILAR CONDITIONS

7873 NEDAY ROAD
BAINBRIDGE ISLAND, WA 98110
PHONE - (888) 842-9492
WWW.AGSSTAINLESS.COM

AGS stainless
CLEARVIEW® Railing Systems

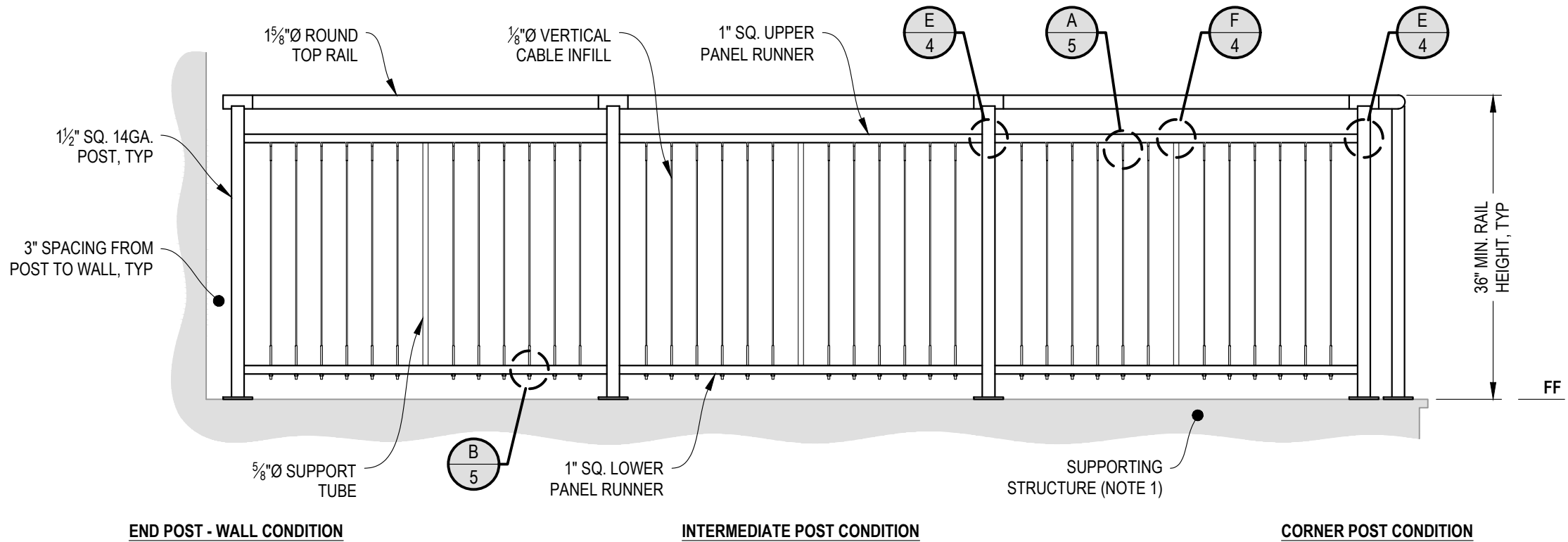
VERTICAL RAINIER SPECIFICATION DRAWING
** RESIDENTIAL **

36" TOP MOUNT - ROUND TOP

DWG #	TM36R
SCALE	NONE
DATE	2026
SHEET	1 OF 5

NOTES:

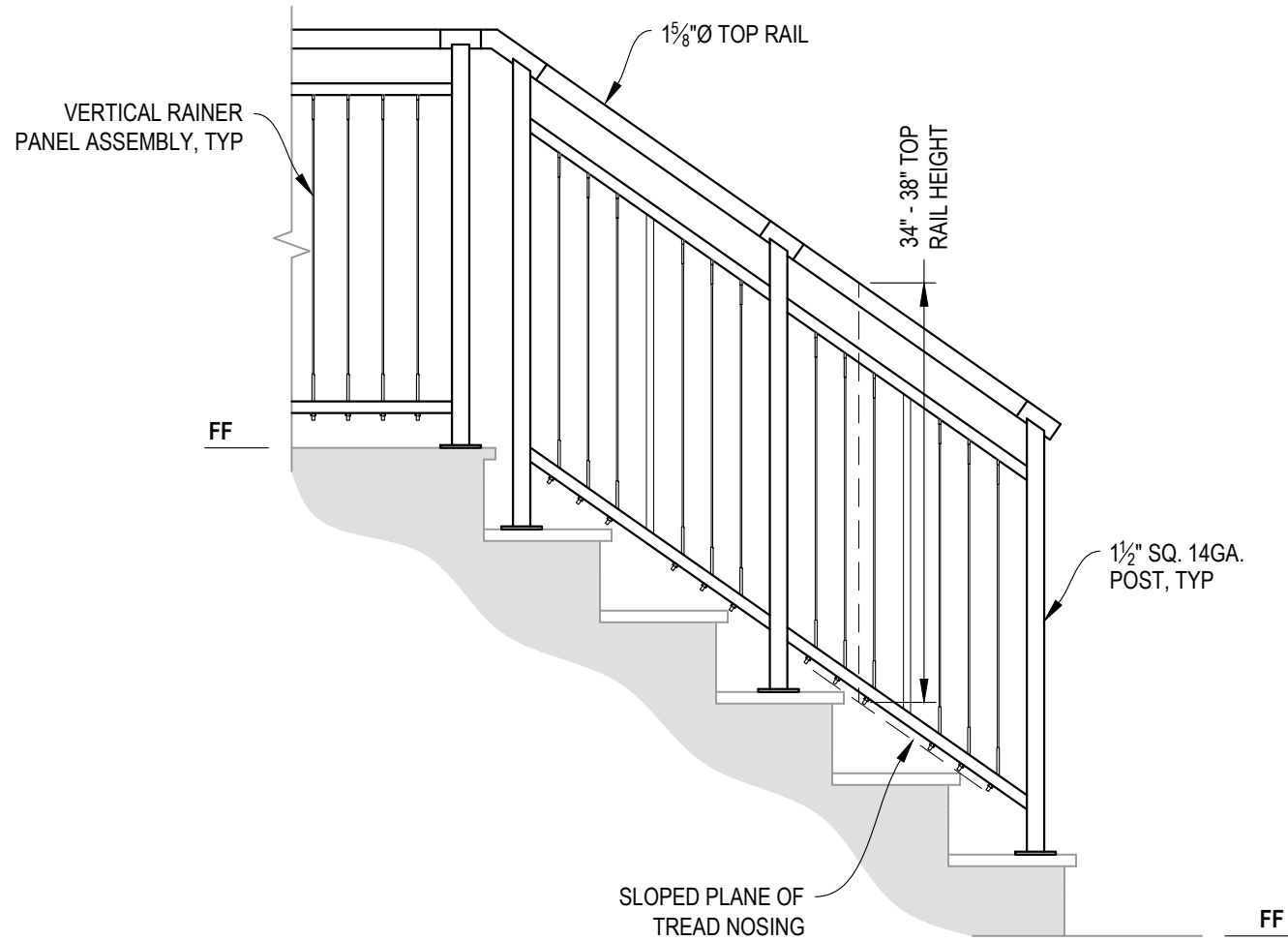
1. DECK STRUCTURE CAN VARY GREATLY. IT IS THE RESPONSIBILITY OF THE CUSTOMER TO VERIFY THAT THE SUPPORTING STRUCTURE IS ADEQUATE TO MEET THE LOAD REQUIREMENTS OF THE GOVERNING BUILDING CODE(S). *AGS Stainless Inc.* RECOMMENDS CONSULTING A DESIGN OR CONSTRUCTION PROFESSIONAL TO ADDRESS THESE ISSUES.



A TYPICAL RAILING CONDITION ELEVATION

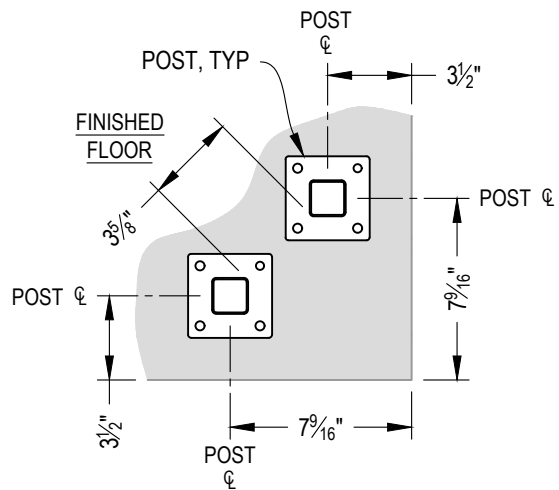
NOTES:

1. STAIR CONSTRUCTION VARIES GREATLY. AS-BUILT CONDITIONS MAY ALTER RAILING DESIGN, INCLUDING POST LOCATION & MOUNTING, INFILL SPACING, AND TOP RAIL LAYOUT.



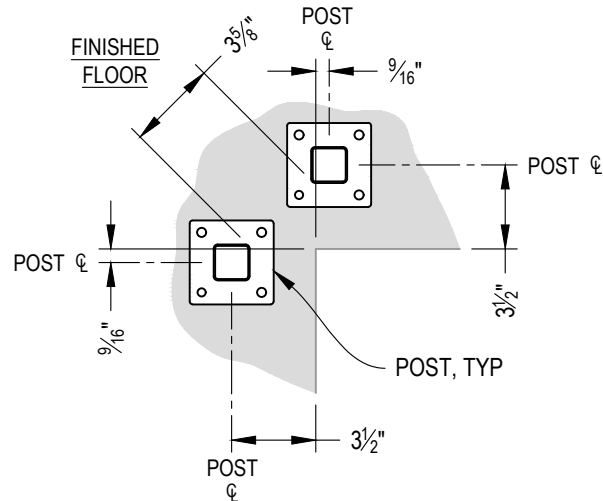
A STAIR
ELEVATION

AGS Stainless Clearview® Railing Systems are designed to meet the requirements of the latest edition of the IRC/IBC.



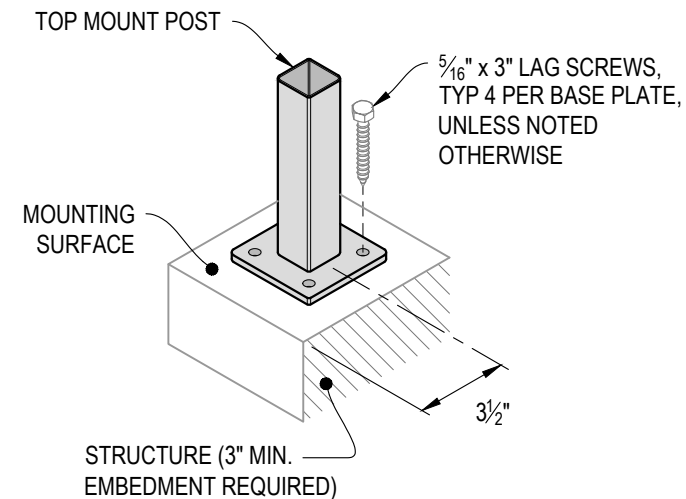
NOTE: 90° SHOWN, OTHER ANGLES SIMILAR

A TYPICAL 90° TOP MOUNT OUTSIDE CORNER
DETAIL



NOTE: 90° SHOWN, OTHER ANGLES SIMILAR

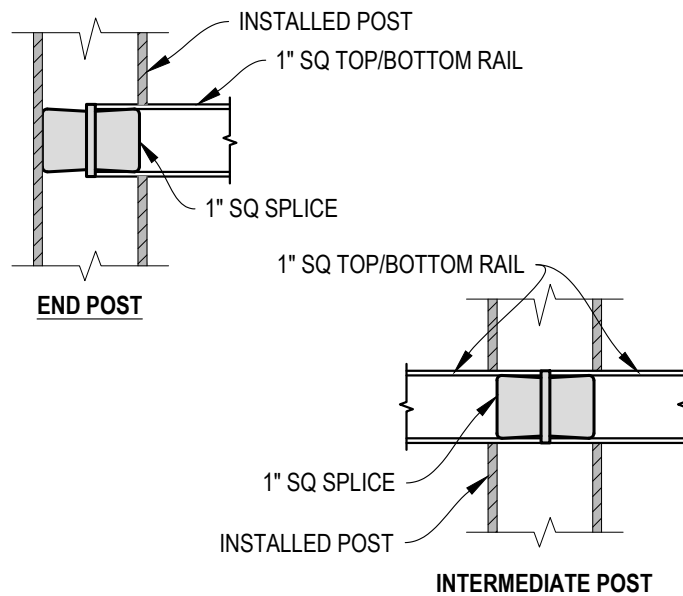
B TYPICAL 90° TOP MOUNT INSIDE CORNER
DETAIL



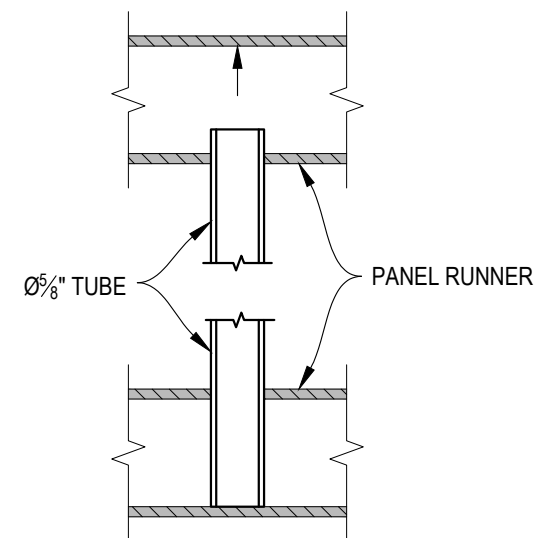
C TYPICAL POST MOUNTING - TOP MOUNT
DETAIL



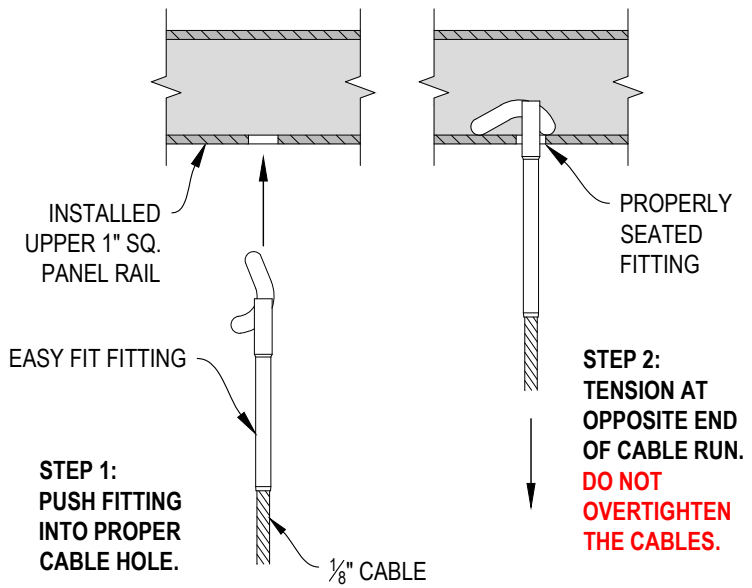
D TYPICAL BASE PLATE
DETAIL



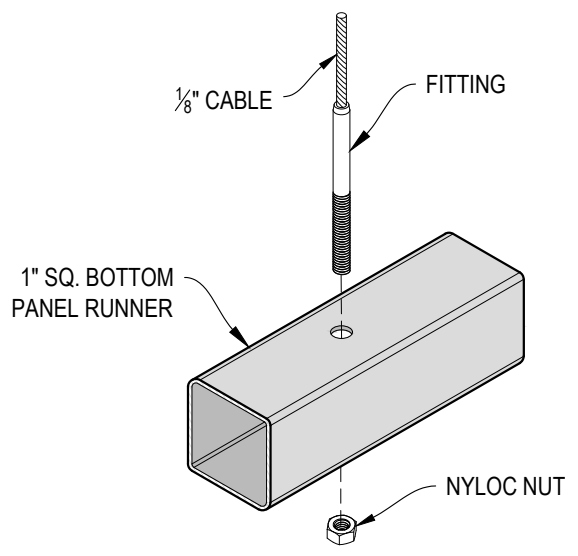
E FITTING INSTALLATION - VERTICAL PANEL RAIL SPLICE
DETAIL



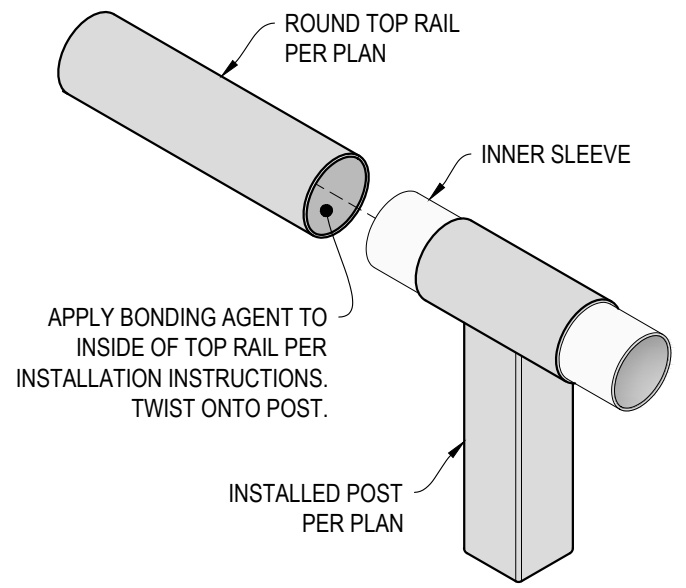
F PANEL SUPPORT TUBE INSTALLATION
DETAIL



A FITTING INSTALLATION - EASY FIT
DETAIL



B FITTING INSTALLATION - STANDARD
DETAIL



C TOP RAIL INSTALLATION - ROUND
DETAIL