

**1** EXAMPLE POST LAYOUT  
PLAN VIEW

**NOTES:**

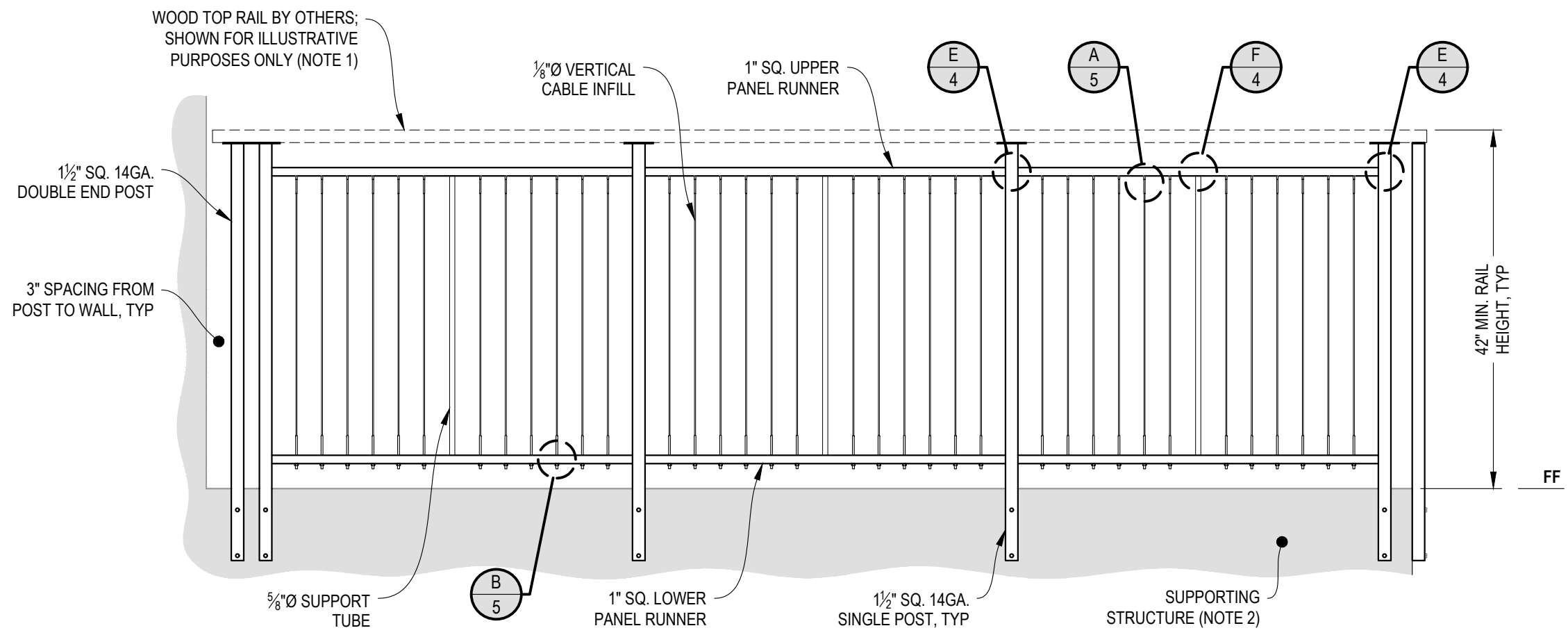
1. TOP RAIL NOT SHOWN FOR CLARITY.
2. ALL PARTS AND COMPONENTS MADE WITH 316 STAINLESS STEEL UNLESS NOTED OTHERWISE.

**LEGEND**

- DETAIL ID
- SHEET ID
- ELEVATION ID
- SHEET ID
- SIDE MOUNT POST
- SIDE MOUNT DOUBLE POST
- CENTERLINE
- FF** FINISHED FLOOR
- TYP TYPICAL CONDITION APPLIES ELSEWHERE AT SIMILAR CONDITIONS

**NOTES:**

1. TOP RAIL SHOULD BE SELECTED SO THAT ALL GOVERNING CODE REQUIREMENTS ARE SATISFIED. THESE INCLUDE SHAPE, STRENGTH AND RAILING HEIGHT.
2. DECK STRUCTURE CAN VARY GREATLY. IT IS THE RESPONSIBILITY OF THE CUSTOMER TO VERIFY THAT THE SUPPORTING STRUCTURE IS ADEQUATE TO MEET THE LOAD REQUIREMENTS OF THE GOVERNING BUILDING CODE(S). AGS Stainless Inc. RECOMMENDS CONSULTING A DESIGN OR CONSTRUCTION PROFESSIONAL TO ADDRESS THESE ISSUES.



**END POST - WALL CONDITION**

**INTERMEDIATE POST CONDITION**

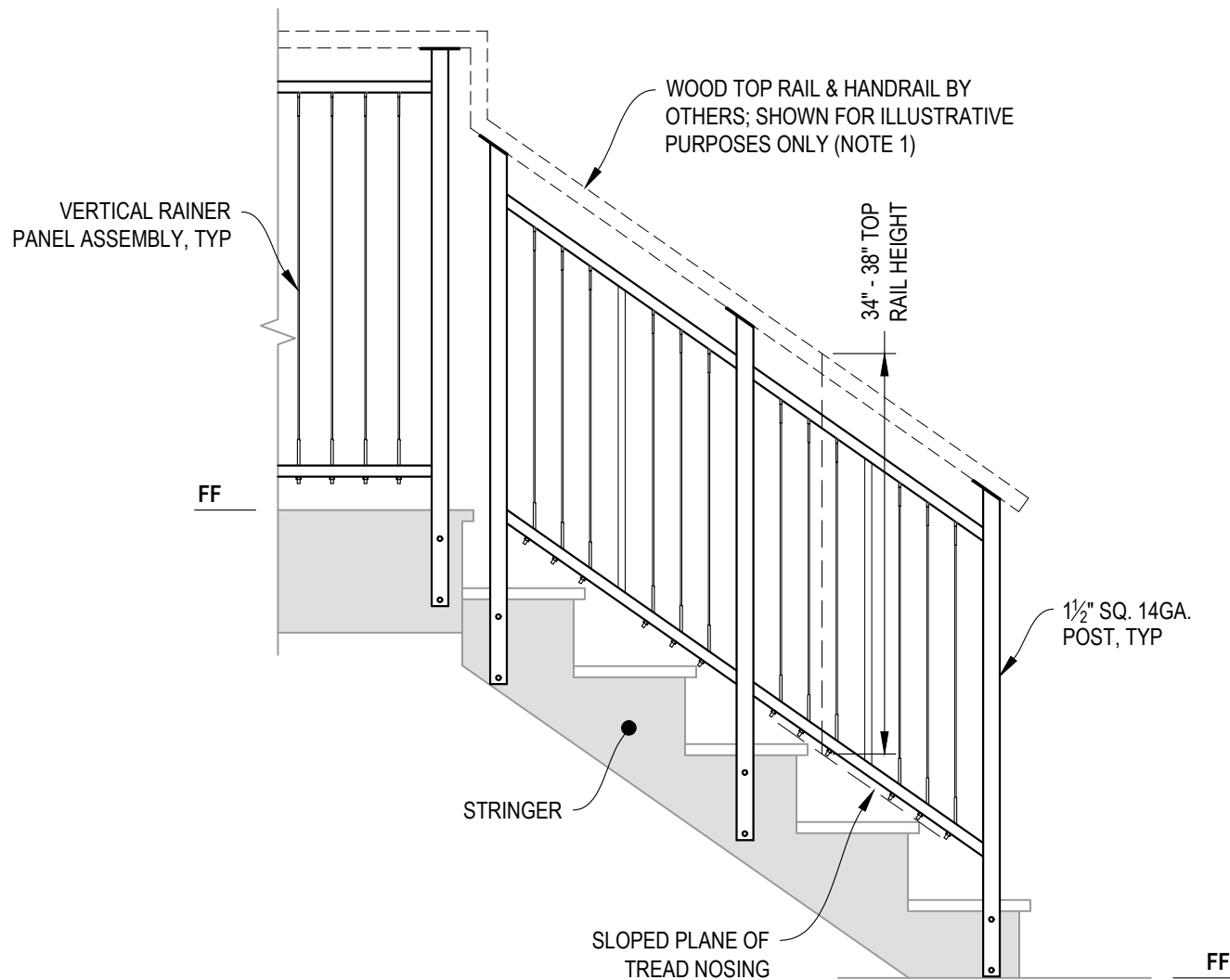
**CORNER POST CONDITION**

**A TYPICAL RAILING CONDITION ELEVATION**

VERTICAL RAINER SPECIFICATION DRAWING  
 \*\* RESIDENTIAL \*\*

42" SIDE MOUNT - WOOD TOP

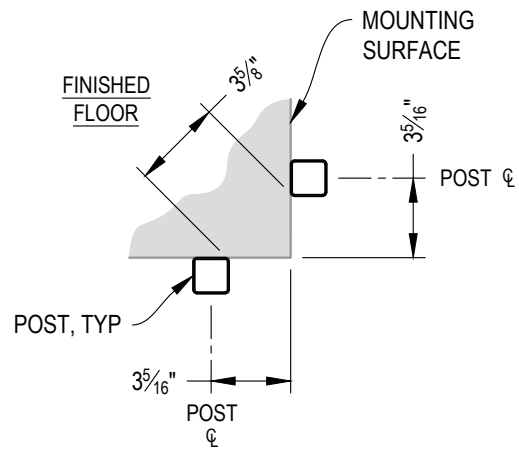
DWG #	SM42W
SCALE	NONE
DATE	2026
SHEET	



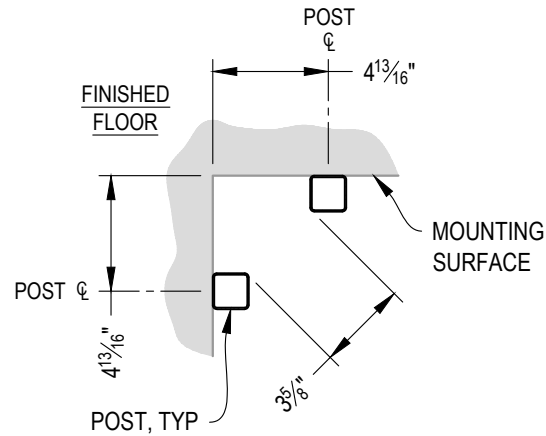
**A** STAIR  
ELEVATION

**NOTES:**

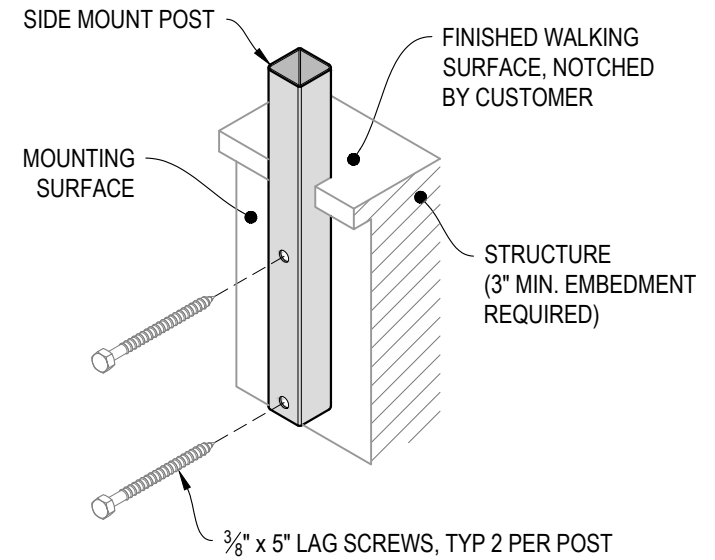
1. TOP RAIL SHOULD BE SELECTED SO THAT ALL GOVERNING CODE REQUIREMENTS ARE SATISFIED. THESE INCLUDE SHAPE, STRENGTH, AND RAILING HEIGHT.
2. STAIR CONSTRUCTION VARIES GREATLY. AS-BUILT CONDITIONS MAY ALTER RAILING DESIGN, INCLUDING POST LOCATION & MOUNTING, INFILL SPACING, AND TOP RAIL LAYOUT.



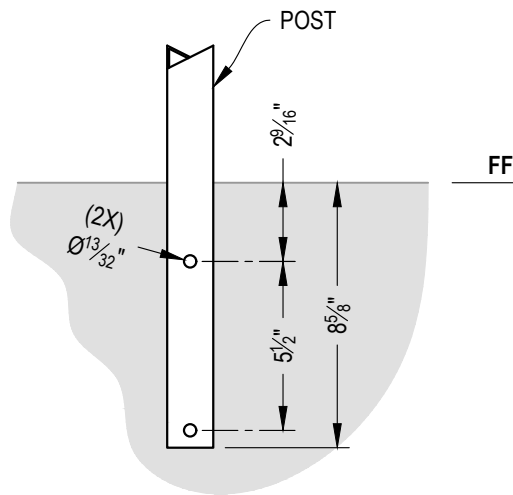
**A** TYPICAL 90° SIDE MOUNT OUTSIDE CORNER  
DETAIL



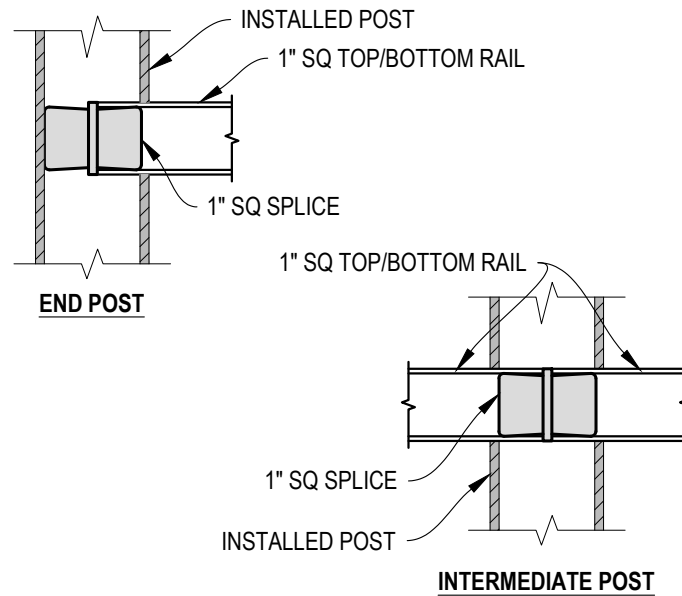
**B** TYPICAL 90° SIDE MOUNT INSIDE CORNER  
DETAIL



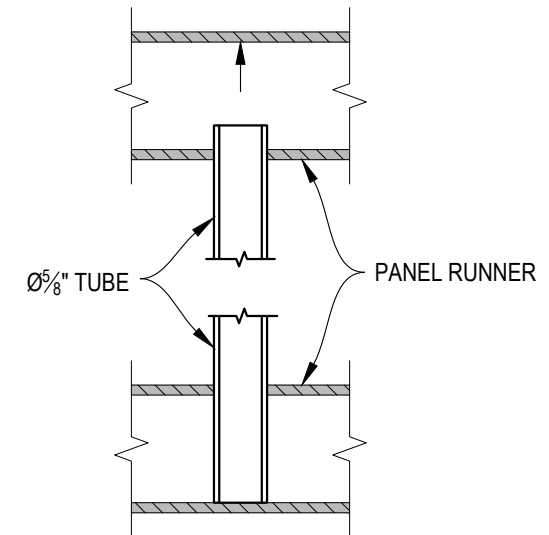
**C** TYPICAL POST MOUNTING - SIDE MOUNT  
DETAIL



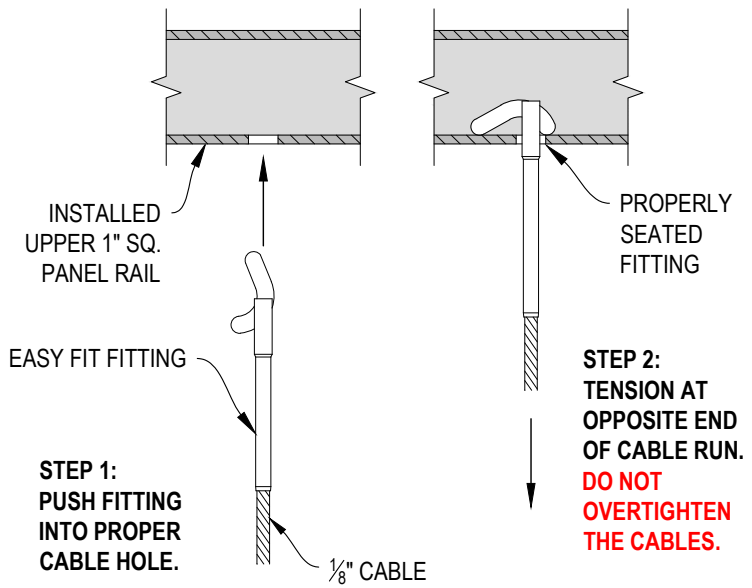
**D** TYPICAL POST MOUNTING - SIDE MOUNT  
DETAIL



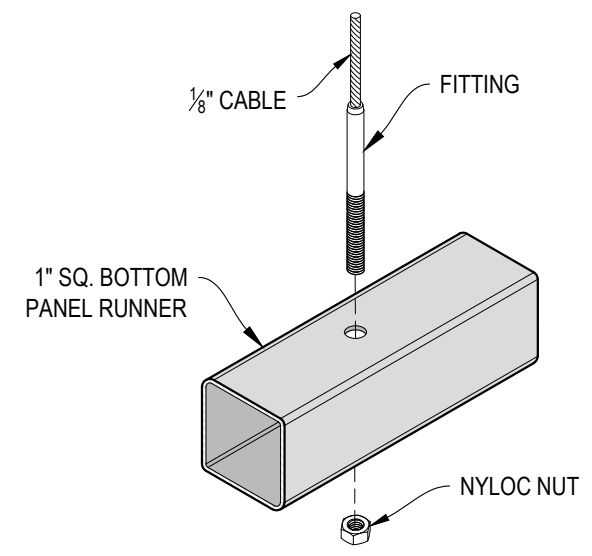
**E** FITTING INSTALLATION - VERTICAL PANEL RAIL SPLICE  
DETAIL



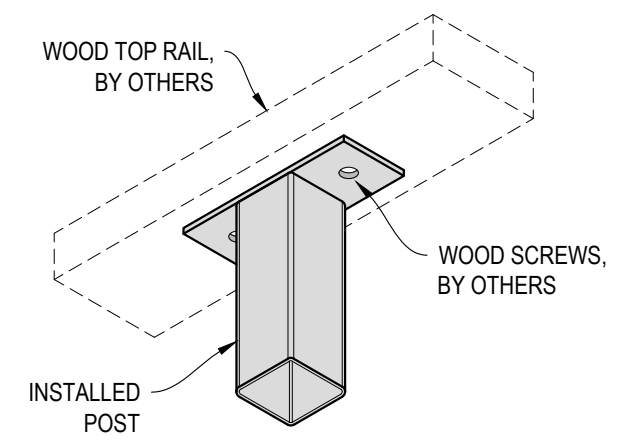
**F** PANEL SUPPORT TUBE INSTALLATION  
DETAIL



**A** FITTING INSTALLATION - EASY FIT  
DETAIL



**B** FITTING INSTALLATION - STANDARD  
DETAIL



**C** TOP RAIL INSTALLATION - WOOD  
DETAIL

VERTICAL RAINIER SPECIFICATION DRAWING  
\*\* RESIDENTIAL \*\*

42" SIDE MOUNT - WOOD TOP

DWG # SM42W  
SCALE NONE  
DATE 2026  
SHEET

**5**  
OF 5

7873 NEDAY ROAD  
BAINBRIDGE ISLAND, WA 98110  
PHONE - (888) 842-9492  
WWW.AGSSTAINLESS.COM

**AGS stainless**  
CLEARVIEW® Railing Systems