

1 EXAMPLE POST LAYOUT
PLAN VIEW

AGS Stainless Clearview® Railing Systems are designed to meet the requirements of the latest edition of the IRC/IBC.

NOTES:

1. TOP RAIL NOT SHOWN FOR CLARITY.
2. ALL PARTS AND COMPONENTS MADE WITH 316 STAINLESS STEEL UNLESS NOTED OTHERWISE.

LEGEND

- DETAIL ID
- SHEET ID
- ELEVATION ID
- SHEET ID
- SIDE MOUNT POST
- SIDE MOUNT DOUBLE POST
- CENTERLINE
- FINISHED FLOOR
- TYP TYPICAL CONDITION APPLIES ELSEWHERE AT SIMILAR CONDITIONS

7873 NE DAY ROAD
BAINBRIDGE ISLAND, WA 98110
PHONE - (888) 842-9492
WWW.AGSTAINLESS.COM

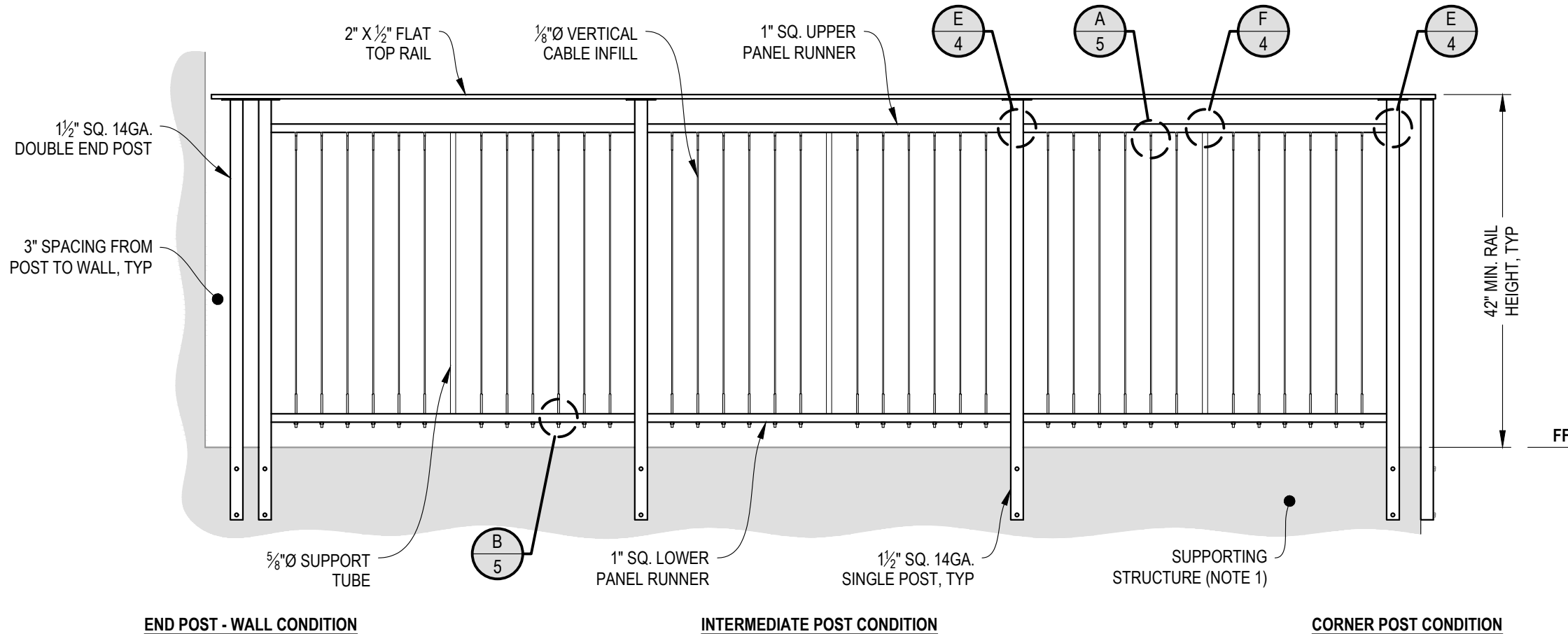
AGS stainless
CLEARVIEW® Railing Systems

VERTICAL RAINIER SPECIFICATION DRAWING
** RESIDENTIAL **
42" SIDE MOUNT - FLAT TOP

DWG #	SM42F
SCALE	NONE
DATE	2026
SHEET	1 OF 5

NOTES:

1. DECK STRUCTURE CAN VARY GREATLY. IT IS THE RESPONSIBILITY OF THE CUSTOMER TO VERIFY THAT THE SUPPORTING STRUCTURE IS ADEQUATE TO MEET THE LOAD REQUIREMENTS OF THE GOVERNING BUILDING CODE(S). AGS Stainless Inc. RECOMMENDS CONSULTING A DESIGN OR CONSTRUCTION PROFESSIONAL TO ADDRESS THESE ISSUES.

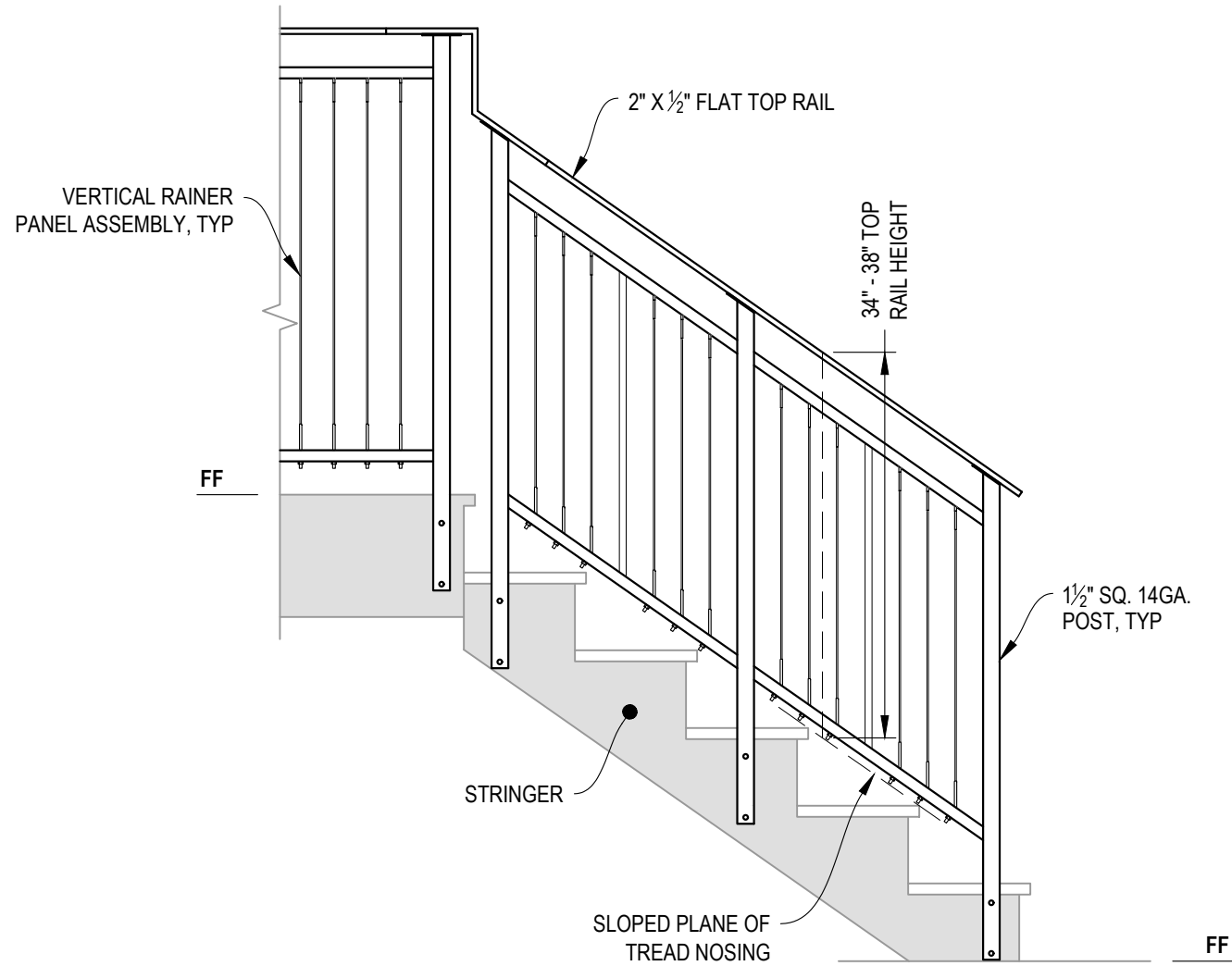


A TYPICAL RAILING CONDITION ELEVATION

AGS Stainless Clearview® Railing Systems are designed to meet the requirements of the latest edition of the IRC/IBC.

NOTES:

1. STAIR CONSTRUCTION VARIES GREATLY. AS-BUILT CONDITIONS MAY ALTER RAILING DESIGN, INCLUDING POST LOCATION & MOUNTING, INFILL SPACING, AND TOP RAIL LAYOUT.



A STAIR
ELEVATION

AGS Stainless Clearview® Railing Systems are designed to meet the requirements of the latest edition of the IRC/IBC.

VERTICAL RAINER SPECIFICATION DRAWING
** RESIDENTIAL **

42" SIDE MOUNT - FLAT TOP

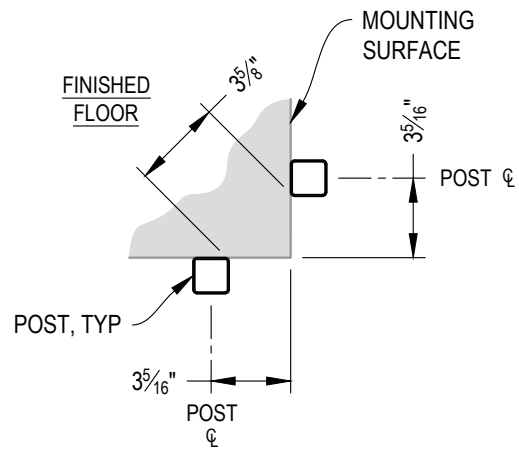
DWG # SM42F

SCALE NONE

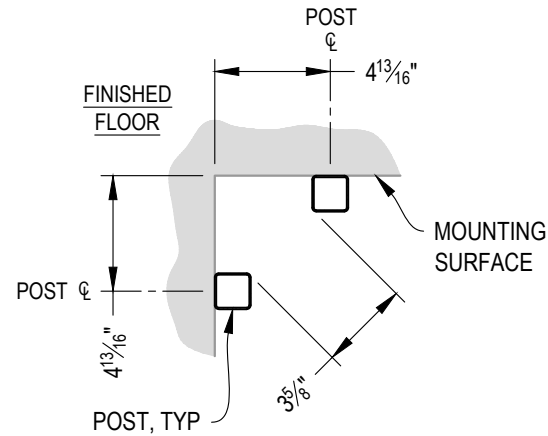
DATE 2026

SHEET

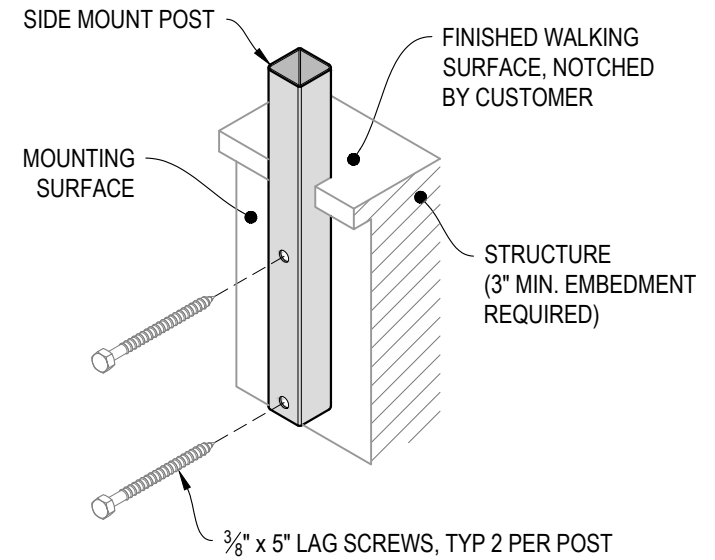
3 OF **5**



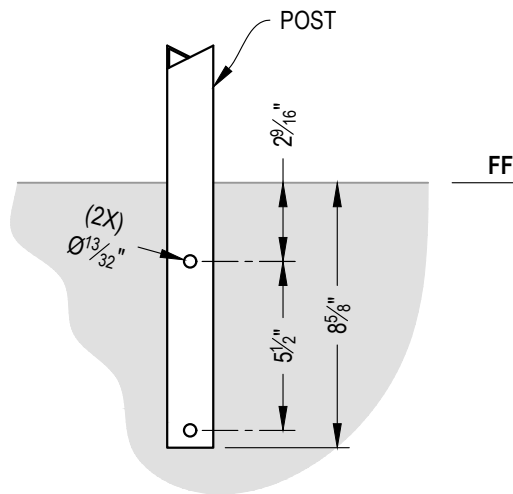
A TYPICAL 90° SIDE MOUNT OUTSIDE CORNER
DETAIL



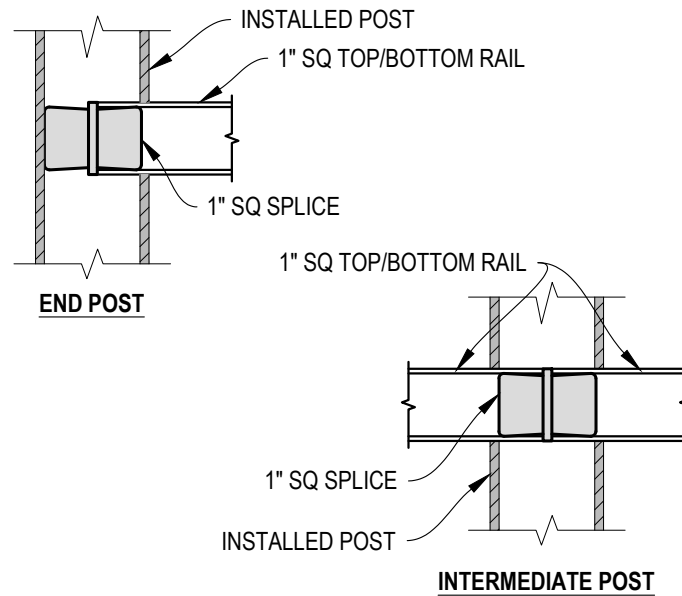
B TYPICAL 90° SIDE MOUNT INSIDE CORNER
DETAIL



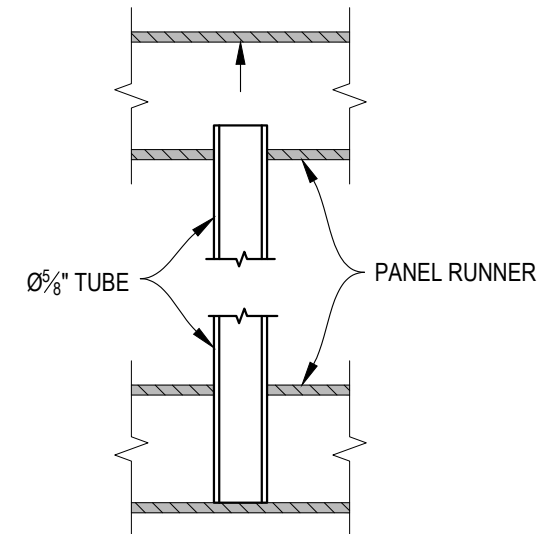
C TYPICAL POST MOUNTING - SIDE MOUNT
DETAIL



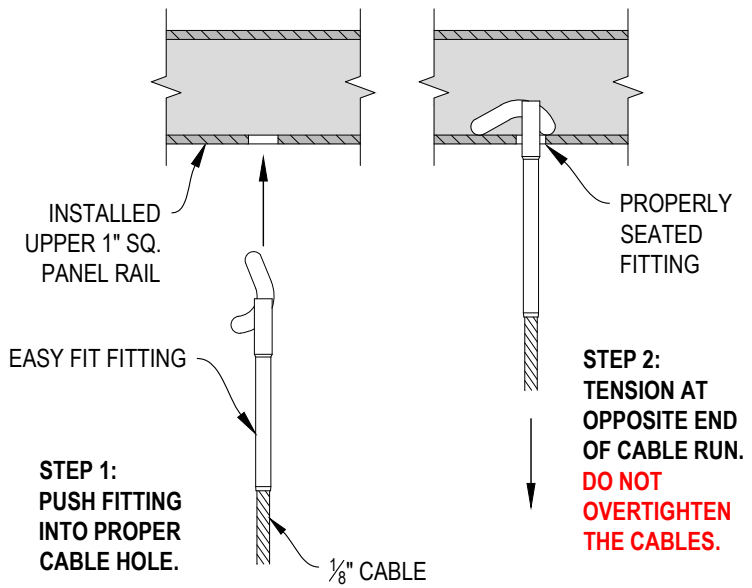
D TYPICAL POST MOUNTING - SIDE MOUNT
DETAIL



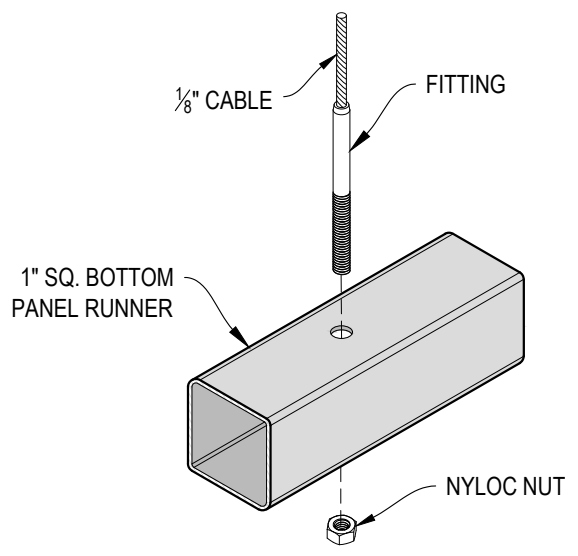
E FITTING INSTALLATION - VERTICAL PANEL RAIL SPLICE
DETAIL



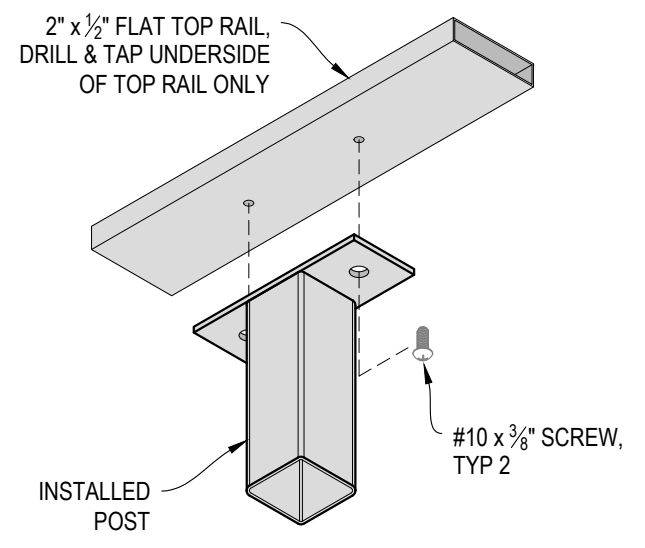
F PANEL SUPPORT TUBE INSTALLATION
DETAIL



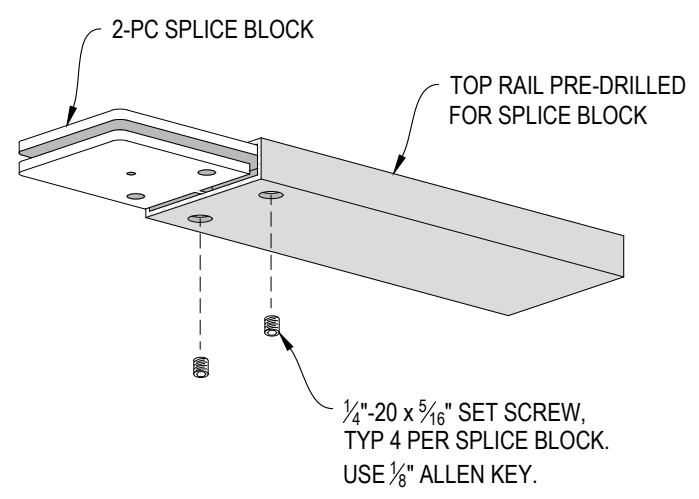
A FITTING INSTALLATION - EASY FIT
DETAIL



B FITTING INSTALLATION - STANDARD
DETAIL



C TOP RAIL INSTALLATION - FLAT
DETAIL



D SPLICE BLOCK ASSEMBLY - FLAT
DETAIL

AGS Stainless Clearview® Railing Systems are designed to meet the requirements of the latest edition of the IRC/IBC.