

1 **EXAMPLE POST LAYOUT**
PLAN VIEW

AGS Stainless Clearview® Railing Systems are designed to meet the requirements of the latest edition of the IRC/IBC.

NOTES:

1. TOP RAIL NOT SHOWN FOR CLARITY.
2. ALL PARTS AND COMPONENTS MADE WITH 316 STAINLESS STEEL UNLESS NOTED OTHERWISE.

LEGEND

- DETAIL ID
- SHEET ID
- ELEVATION ID
- SHEET ID
- TOP MOUNT POST
- TOP MOUNT DOUBLE POST
- CENTERLINE
- FF** FINISHED FLOOR
- TYP TYPICAL CONDITION APPLIES ELSEWHERE AT SIMILAR CONDITIONS

7873 NE DAY ROAD
BAINBRIDGE ISLAND, WA 98110
PHONE - (888) 842-9492
WWW.AGSSTAINLESS.COM

AGS stainless
CLEARVIEW® Railing Systems

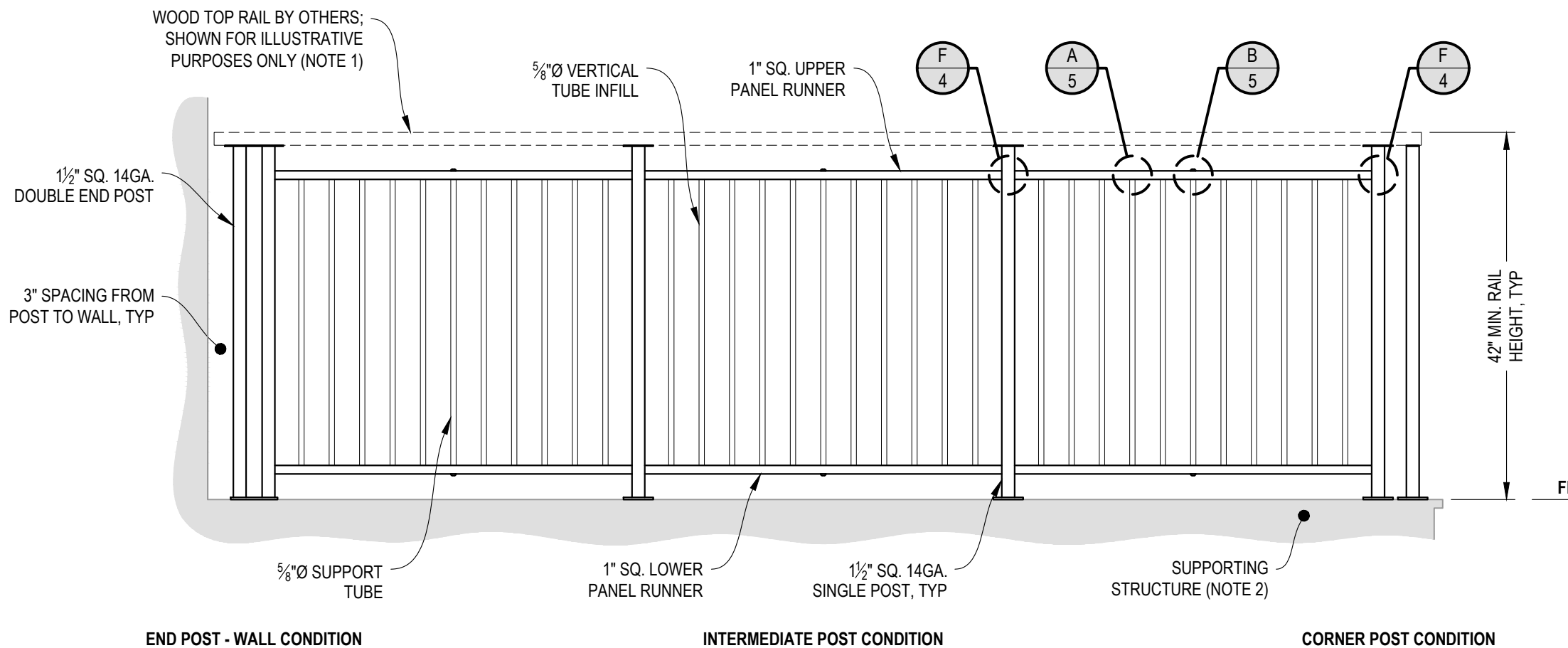
VERTICAL OLYMPUS SPECIFICATION DRAWING
** RESIDENTIAL **

42" TOP MOUNT - WOOD TOP

| | |
|-------|---------------|
| DWG # | TM42W |
| SCALE | NONE |
| DATE | 2026 |
| SHEET | 1 OF 5 |

NOTES:

1. TOP RAIL SHOULD BE SELECTED SO THAT ALL GOVERNING CODE REQUIREMENTS ARE SATISFIED. THESE INCLUDE SHAPE, STRENGTH AND RAILING HEIGHT.
2. DECK STRUCTURE CAN VARY GREATLY. IT IS THE RESPONSIBILITY OF THE CUSTOMER TO VERIFY THAT THE SUPPORTING STRUCTURE IS ADEQUATE TO MEET THE LOAD REQUIREMENTS OF THE GOVERNING BUILDING CODE(S). AGS Stainless Inc. RECOMMENDS CONSULTING A DESIGN OR CONSTRUCTION PROFESSIONAL TO ADDRESS THESE ISSUES.



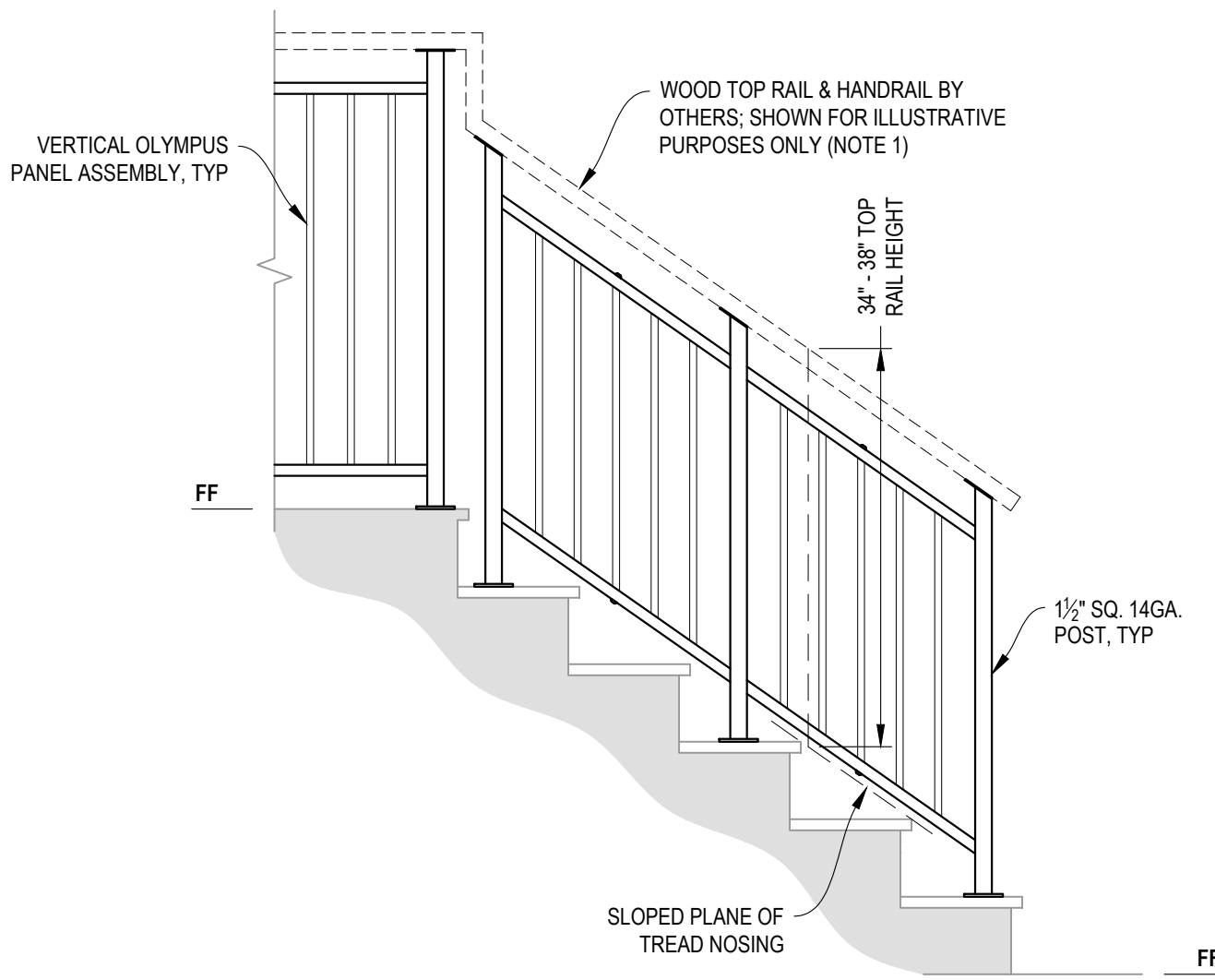
A TYPICAL RAILING CONDITION ELEVATION

VERTICAL OLYMPUS SPECIFICATION DRAWING

** RESIDENTIAL **

42" TOP MOUNT - WOOD TOP

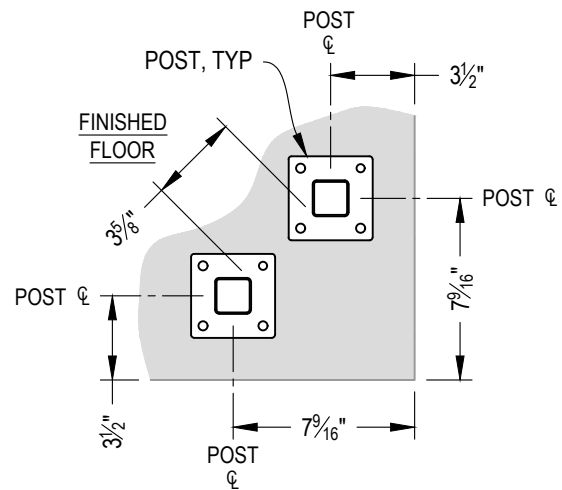
DWG # TM42W
 SCALE NONE
 DATE 2026
 SHEET



A STAIR
ELEVATION

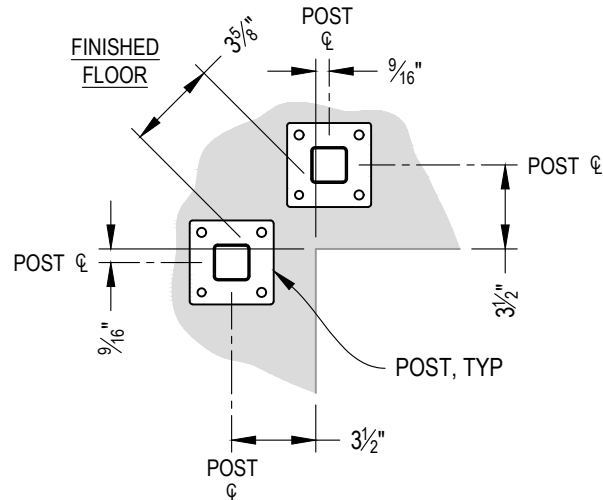
NOTES:

1. TOP RAIL SHOULD BE SELECTED SO THAT ALL GOVERNING CODE REQUIREMENTS ARE SATISFIED. THESE INCLUDE SHAPE, STRENGTH, AND RAILING HEIGHT.
2. STAIR CONSTRUCTION VARIES GREATLY. AS-BUILT CONDITIONS MAY ALTER RAILING DESIGN, INCLUDING POST LOCATION & MOUNTING, INFILL SPACING, AND TOP RAIL LAYOUT.



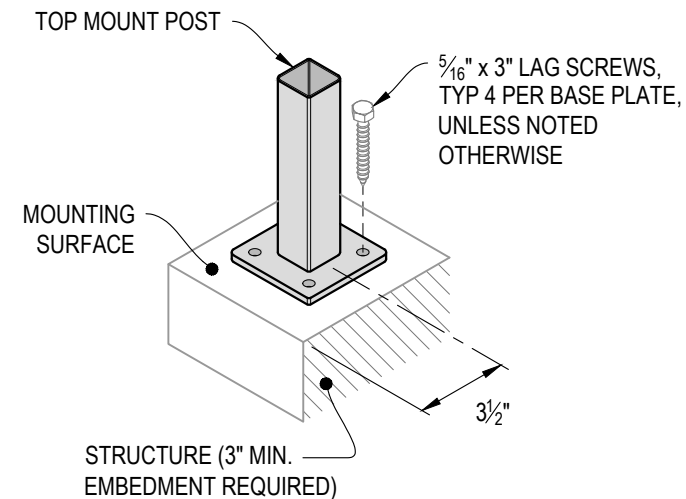
NOTE: 90° SHOWN, OTHER ANGLES SIMILAR

A TYPICAL 90° TOP MOUNT OUTSIDE CORNER
DETAIL



NOTE: 90° SHOWN, OTHER ANGLES SIMILAR

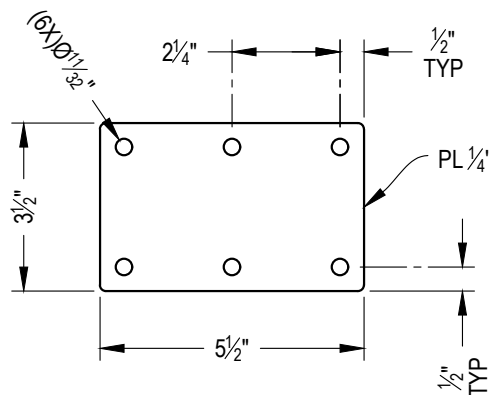
B TYPICAL 90° TOP MOUNT INSIDE CORNER
DETAIL



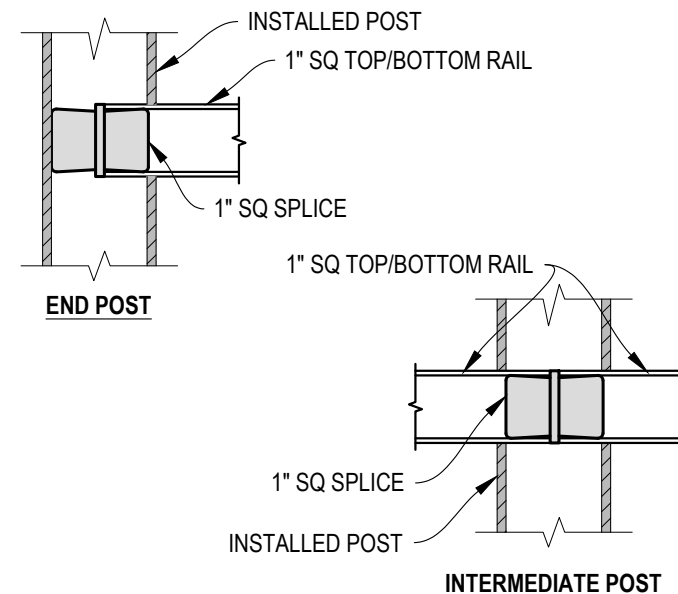
C TYPICAL POST MOUNTING - TOP MOUNT
DETAIL



D TYPICAL BASE PLATE
DETAIL



E TYPICAL DOUBLE BASE PLATE
DETAIL



F FITTING INSTALLATION - VERTICAL PANEL RAIL SPLICE
DETAIL

VERTICAL OLYMPUS SPECIFICATION DRAWING

** RESIDENTIAL **

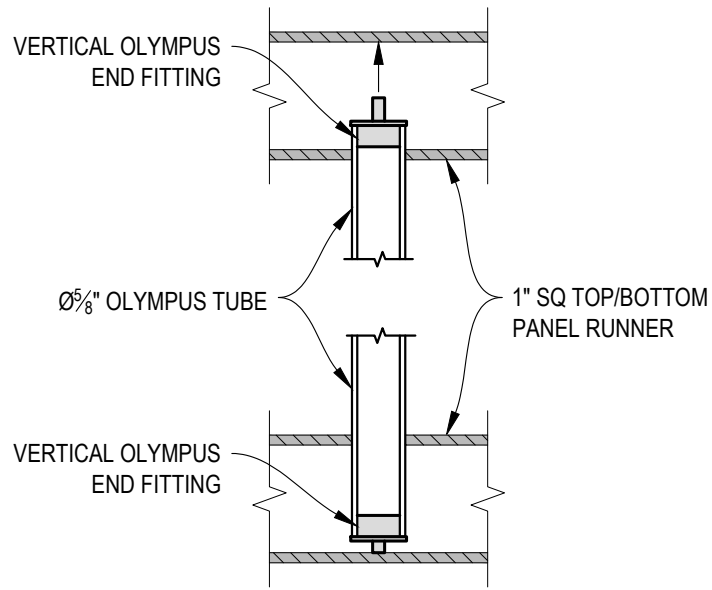
42" TOP MOUNT - WOOD TOP

DWG # TM42W
SCALE NONE
DATE 2026
SHEET

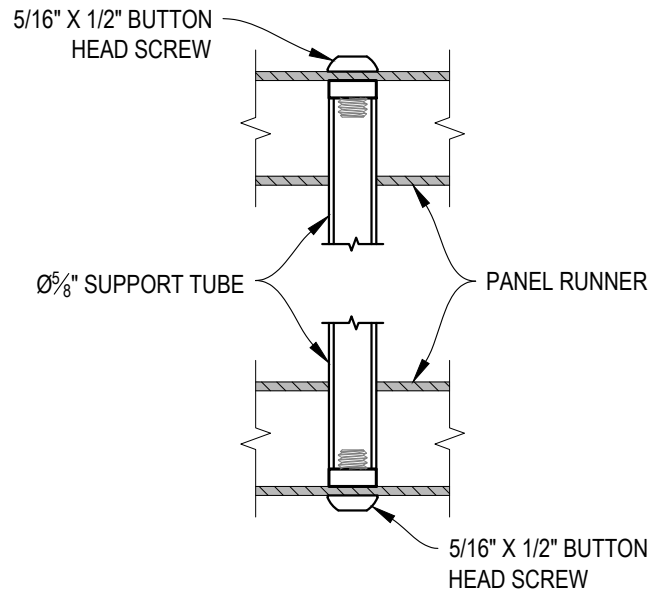
4 OF 5

AGS stainless
CLEARVIEW® Railing Systems

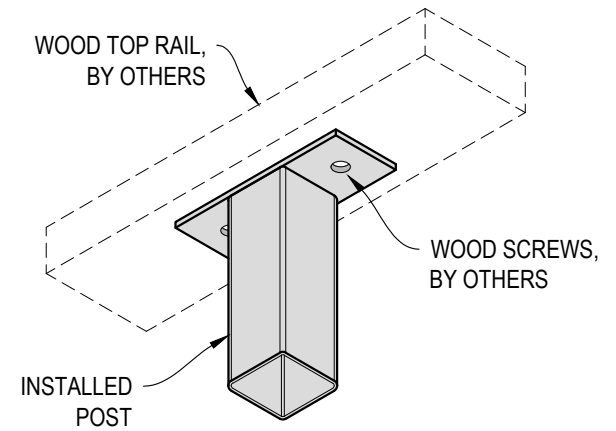
7873 NEDAY ROAD
BAINBRIDGE ISLAND, WA 98110
PHONE - (888) 842-9492
WWW.AGSSTAINLESS.COM



A FITTING INSTALLATION - OLYMPUS INSERT
DETAIL



B FITTING INSTALLATION - MIDDLE SUPPORT TUBE
DETAIL



C TOP RAIL INSTALLATION - WOOD
DETAIL

VERTICAL OLYMPUS SPECIFICATION DRAWING

** RESIDENTIAL **

42" TOP MOUNT - WOOD TOP

DWG #
TM42W
SCALE
NONE
DATE
2026
SHEET

5 OF 5



7873 NEDAY ROAD
BAINBRIDGE ISLAND, WA 98110
PHONE - (888) 842-9402
WWW.AGSSTAINLESS.COM