

1 **EXAMPLE POST LAYOUT**
PLAN VIEW

AGS Stainless Clearview® Railing Systems are designed to meet the requirements of the latest edition of the IRC/IBC.

NOTES:

1. TOP RAIL NOT SHOWN FOR CLARITY.
2. ALL PARTS AND COMPONENTS MADE WITH 316 STAINLESS STEEL UNLESS NOTED OTHERWISE.

LEGEND

- DETAIL ID
- SHEET ID
- ELEVATION ID
- SHEET ID
- TOP MOUNT POST
- CENTERLINE
- FF** FINISHED FLOOR
- TYP TYPICAL CONDITION APPLIES ELSEWHERE AT SIMILAR CONDITIONS

VERTICAL OLYMPUS SPECIFICATION DRAWING
** RESIDENTIAL **

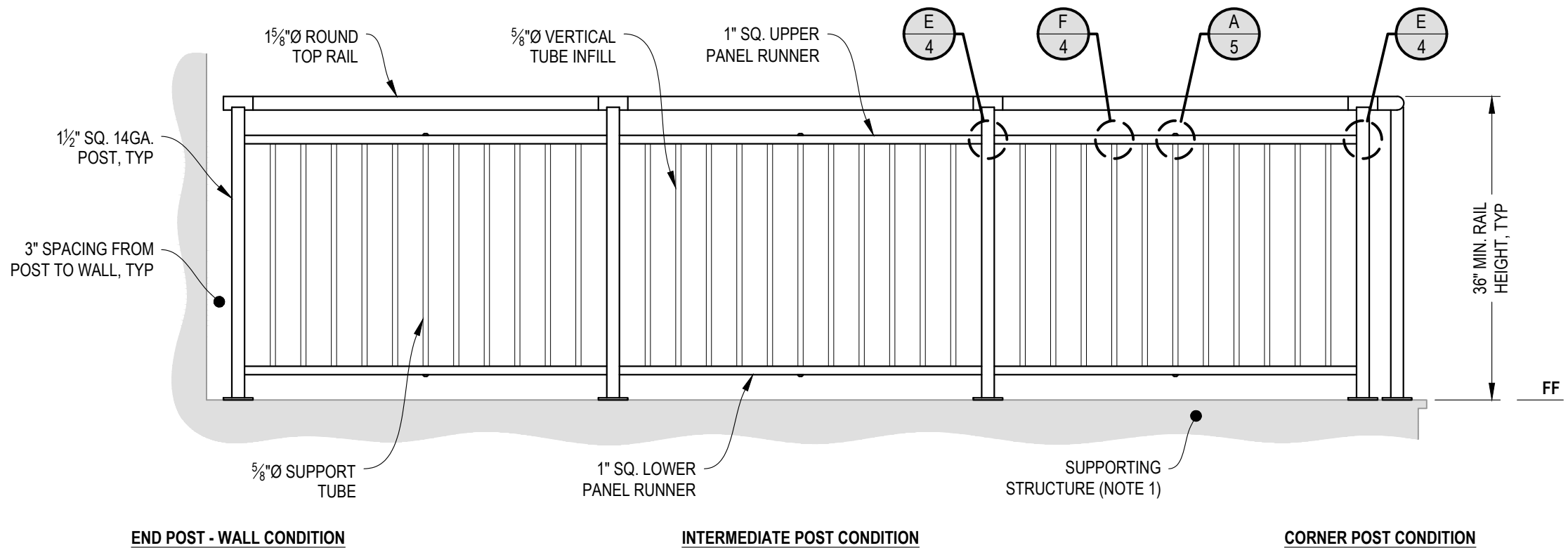
36" TOP MOUNT - ROUND TOP

DWG #
TM36R
SCALE
NONE
DATE
2026
SHEET

1
OF 5

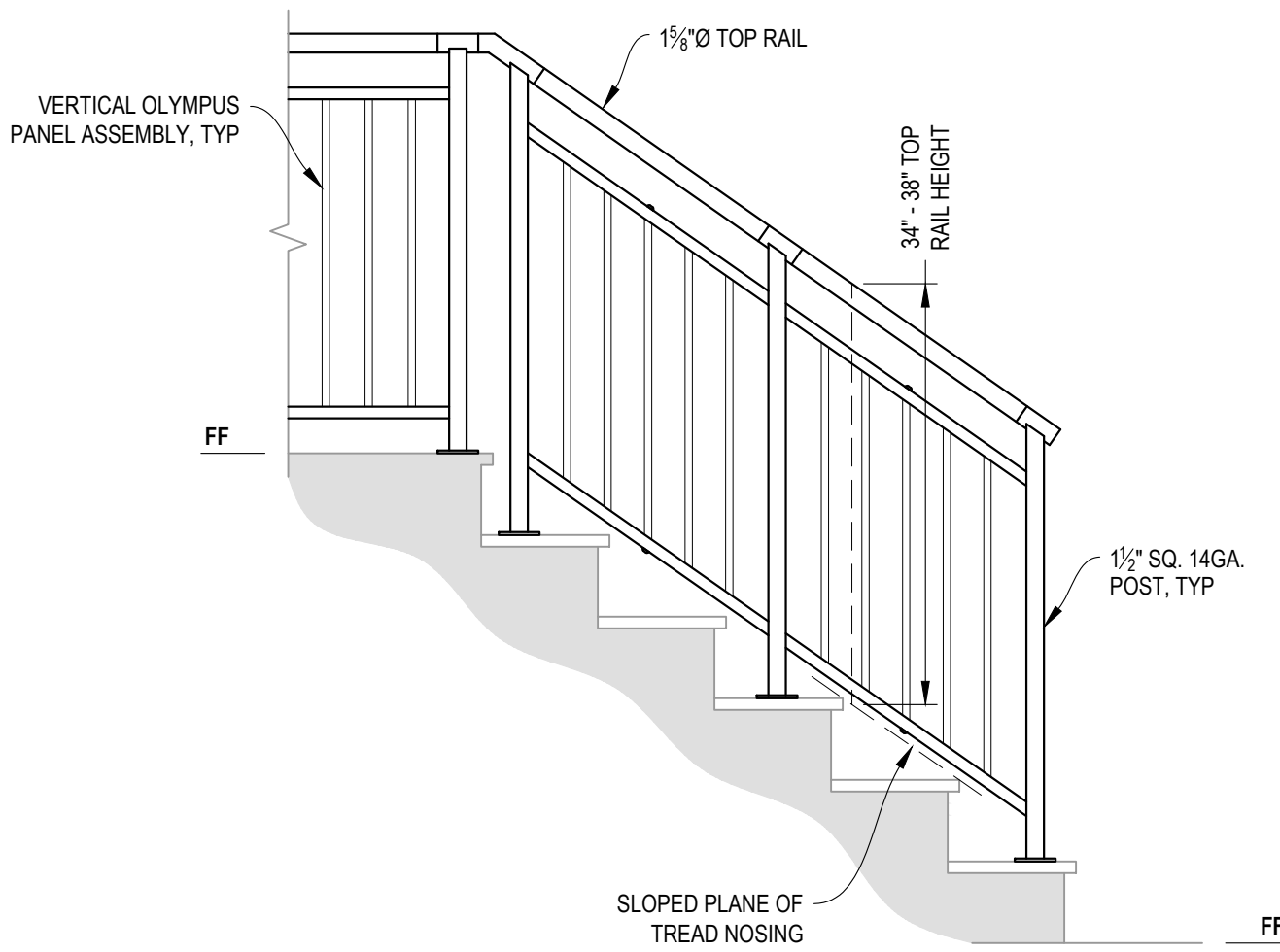
7873 NEDAY ROAD
BAINBRIDGE ISLAND, WA 98110
PHONE - (888) 842-9492
WWW.AGSSTAINLESS.COM

AGS stainless
CLEARVIEW® Railing Systems



NOTES:

- DECK STRUCTURE CAN VARY GREATLY. IT IS THE RESPONSIBILITY OF THE CUSTOMER TO VERIFY THAT THE SUPPORTING STRUCTURE IS ADEQUATE TO MEET THE LOAD REQUIREMENTS OF THE GOVERNING BUILDING CODE(S). AGS Stainless Inc. RECOMMENDS CONSULTING A DESIGN OR CONSTRUCTION PROFESSIONAL TO ADDRESS THESE ISSUES.



A STAIR
ELEVATION

NOTES:

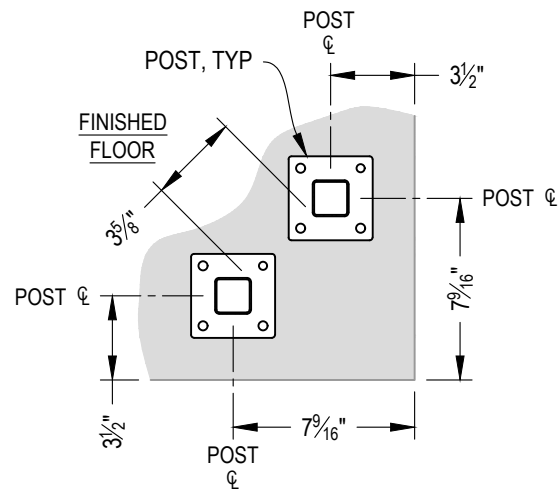
1. STAIR CONSTRUCTION VARIES GREATLY. AS-BUILT CONDITIONS MAY ALTER RAILING DESIGN, INCLUDING POST LOCATION & MOUNTING, INFILL SPACING, AND TOP RAIL LAYOUT.

7873 NEDAY ROAD
BAINBRIDGE ISLAND, WA 98110
PHONE - (888) 842-9492
WWW.AGSSTAINLESS.COM

AGS stainless
CLEARVIEW® Railing Systems

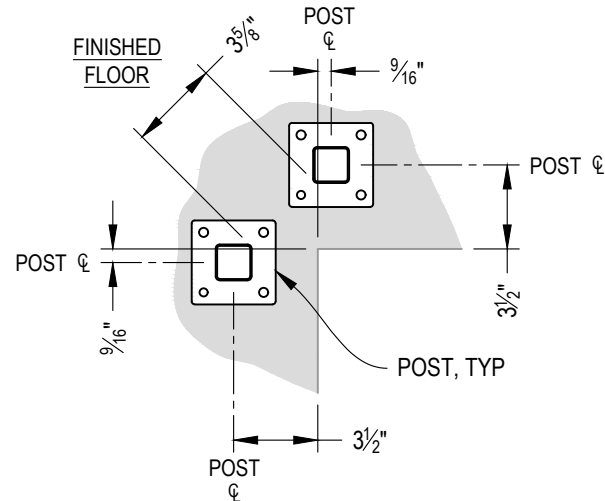
VERTICAL OLYMPUS SPECIFICATION DRAWING
** RESIDENTIAL **
36" TOP MOUNT - ROUND TOP

DWG #	TM36R
SCALE	NONE
DATE	2026
SHEET	



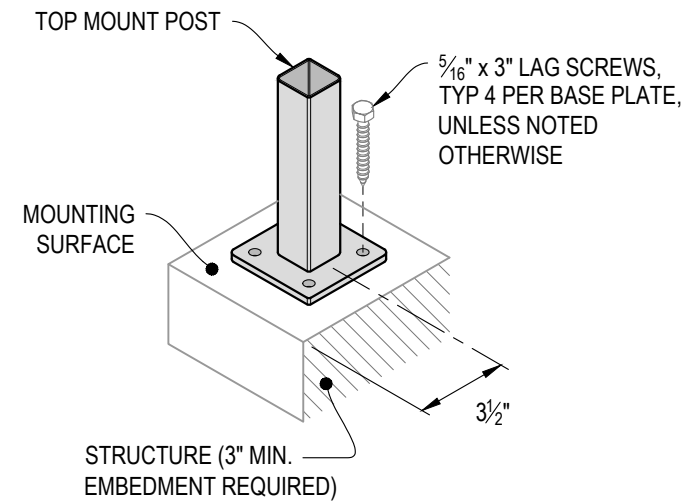
NOTE: 90° SHOWN, OTHER ANGLES SIMILAR

A TYPICAL 90° TOP MOUNT OUTSIDE CORNER
DETAIL

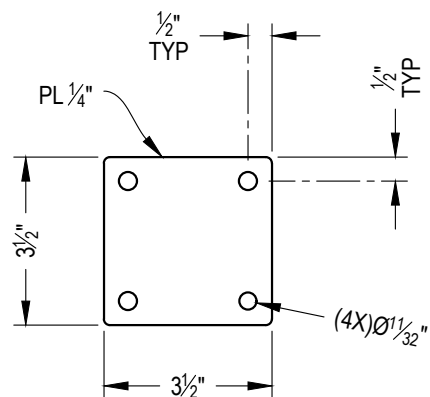


NOTE: 90° SHOWN, OTHER ANGLES SIMILAR

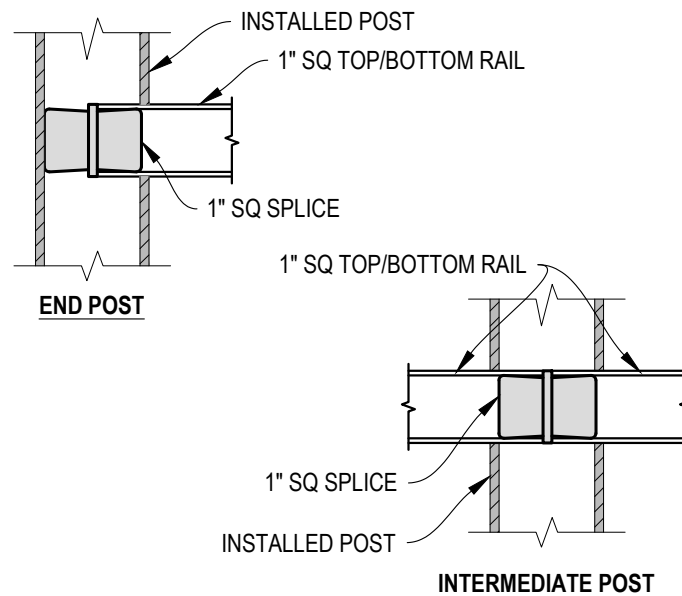
B TYPICAL 90° TOP MOUNT INSIDE CORNER
DETAIL



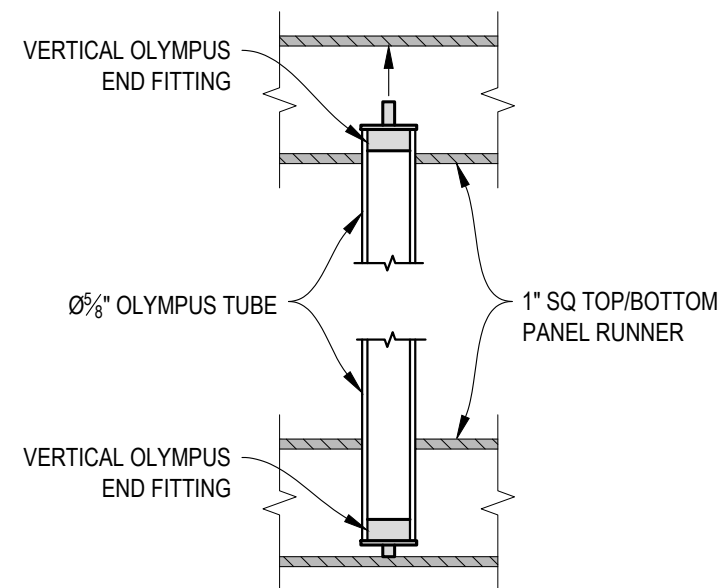
C TYPICAL POST MOUNTING - TOP MOUNT
DETAIL



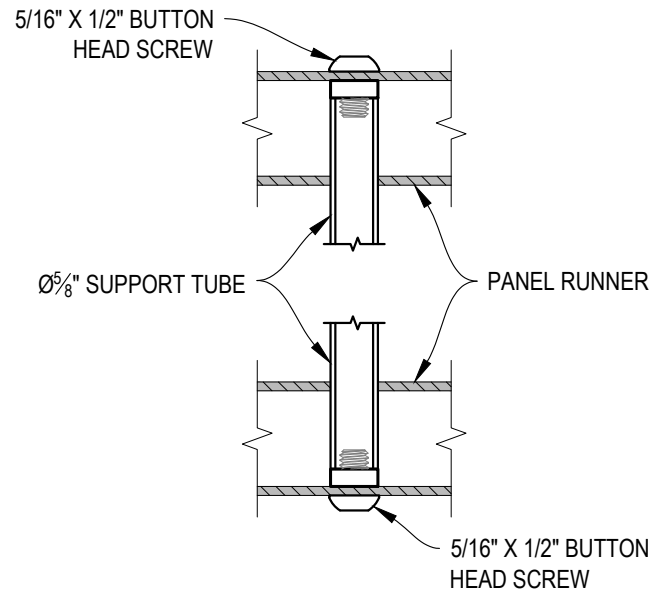
D TYPICAL BASE PLATE
DETAIL



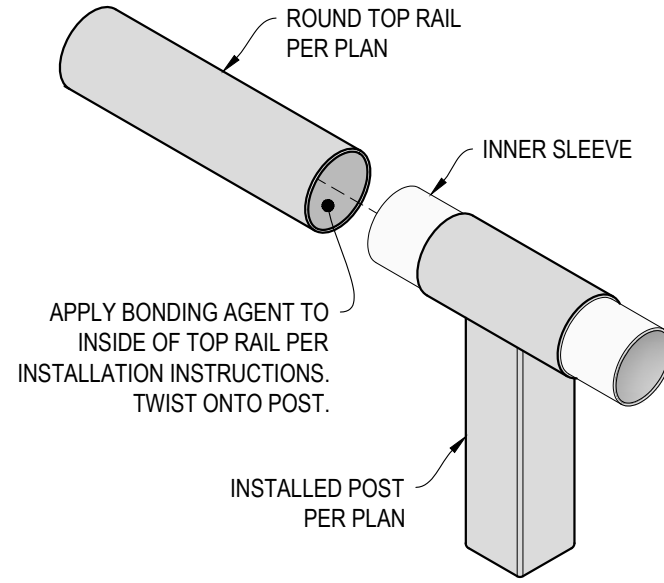
E FITTING INSTALLATION - VERTICAL PANEL RAIL SPLICE
DETAIL



F FITTING INSTALLATION - OLYMPUS INSERT
DETAIL



A FITTING INSTALLATION - MIDDLE SUPPORT TUBE
DETAIL



B TOP RAIL INSTALLATION - ROUND
DETAIL