

1 EXAMPLE POST LAYOUT
PLAN VIEW

NOTES:

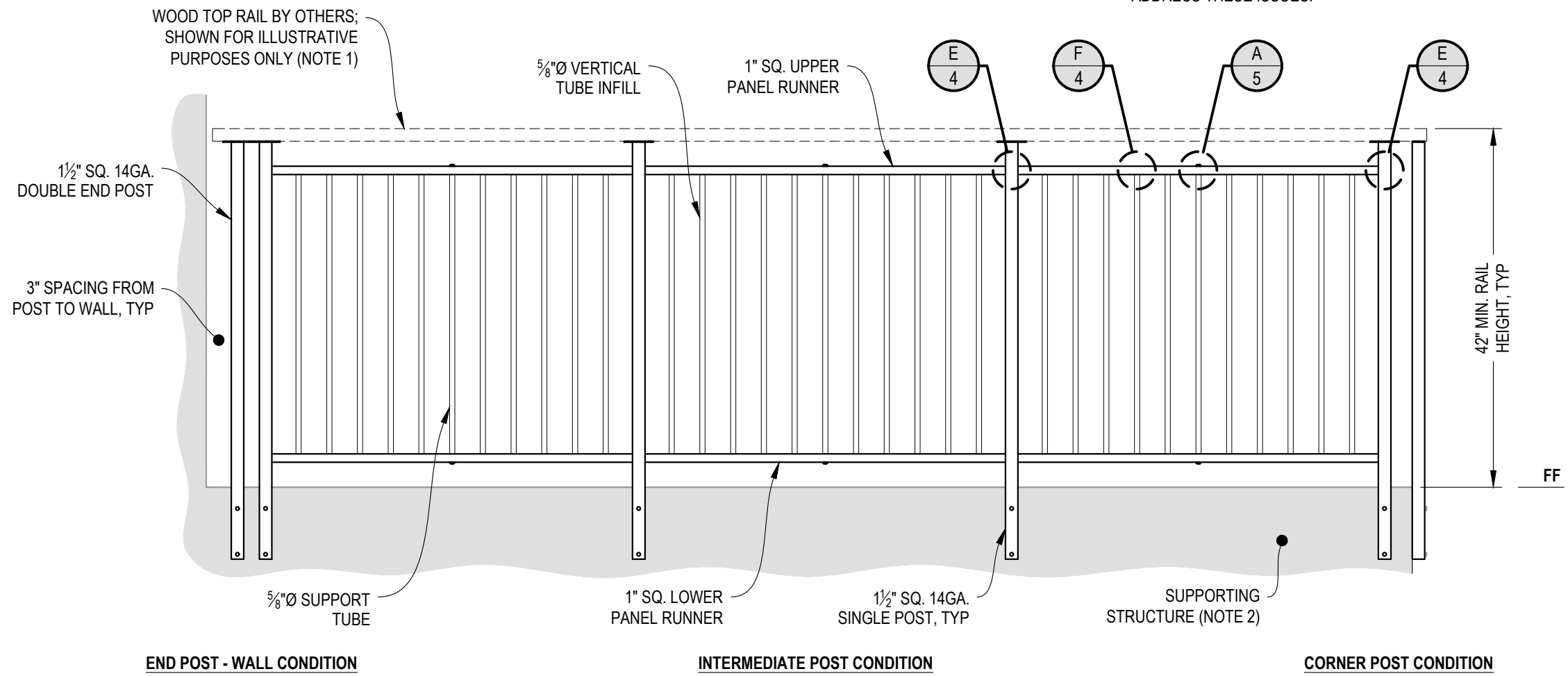
1. TOP RAIL NOT SHOWN FOR CLARITY.
2. ALL PARTS AND COMPONENTS MADE WITH 316 STAINLESS STEEL UNLESS NOTED OTHERWISE.

LEGEND

- DETAIL ID
- SHEET ID
- ELEVATION ID
- SHEET ID
- SIDE MOUNT POST
- SIDE MOUNT DOUBLE POST
- CENTERLINE
- FINISHED FLOOR
- TYP TYPICAL CONDITION APPLIES ELSEWHERE AT SIMILAR CONDITIONS

NOTES:

1. TOP RAIL SHOULD BE SELECTED SO THAT ALL GOVERNING CODE REQUIREMENTS ARE SATISFIED. THESE INCLUDE SHAPE, STRENGTH AND RAILING HEIGHT.
2. DECK STRUCTURE CAN VARY GREATLY. IT IS THE RESPONSIBILITY OF THE CUSTOMER TO VERIFY THAT THE SUPPORTING STRUCTURE IS ADEQUATE TO MEET THE LOAD REQUIREMENTS OF THE GOVERNING BUILDING CODE(S). AGS Stainless Inc. RECOMMENDS CONSULTING A DESIGN OR CONSTRUCTION PROFESSIONAL TO ADDRESS THESE ISSUES.

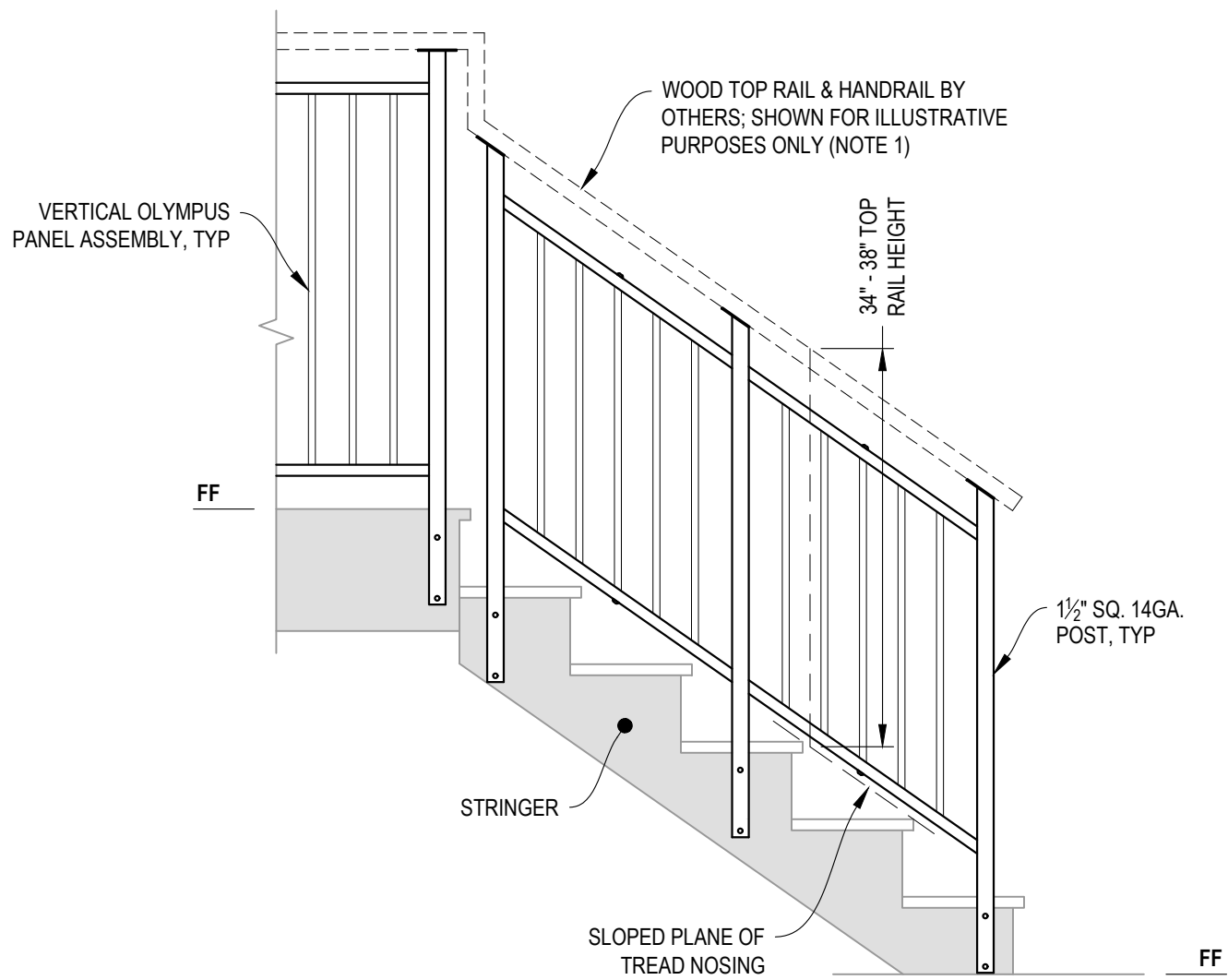


A **TYPICAL RAILING CONDITION**
 ELEVATION

VERTICAL OLYMPUS SPECIFICATION DRAWING
 ** RESIDENTIAL **

42" SIDE MOUNT - WOOD TOP

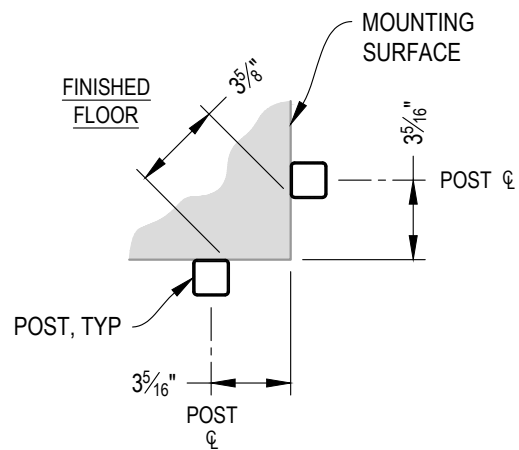
| | |
|-------|-------|
| DWG # | SM42W |
| SCALE | NONE |
| DATE | 2026 |
| SHEET | |



A STAIR
ELEVATION

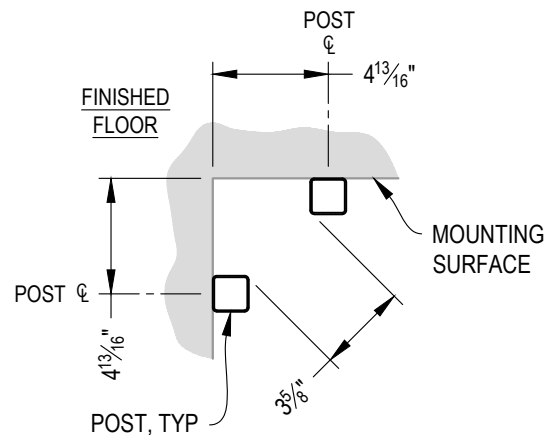
NOTES:

1. TOP RAIL SHOULD BE SELECTED SO THAT ALL GOVERNING CODE REQUIREMENTS ARE SATISFIED. THESE INCLUDE SHAPE, STRENGTH, AND RAILING HEIGHT.
2. STAIR CONSTRUCTION VARIES GREATLY. AS-BUILT CONDITIONS MAY ALTER RAILING DESIGN, INCLUDING POST LOCATION & MOUNTING, INFILL SPACING, AND TOP RAIL LAYOUT.



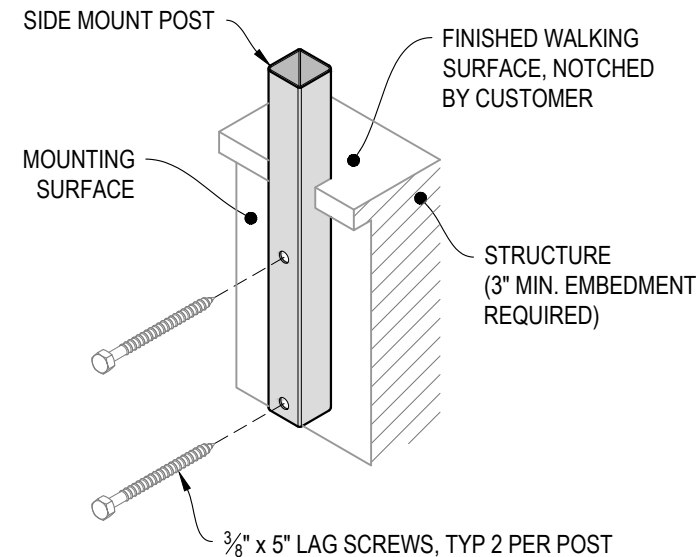
NOTE: 90° SHOWN, OTHER ANGLES SIMILAR

A TYPICAL 90° SIDE MOUNT OUTSIDE CORNER
DETAIL

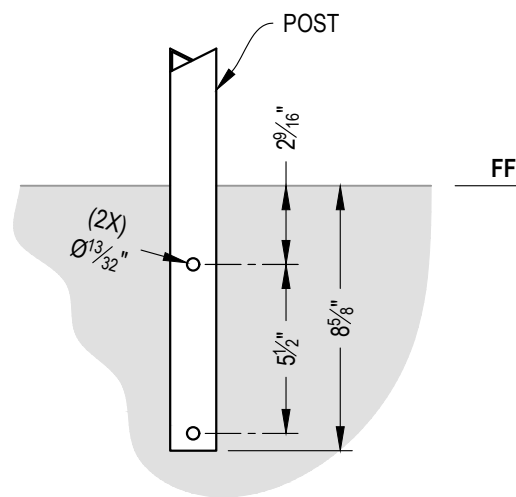


NOTE: 90° SHOWN, OTHER ANGLES SIMILAR

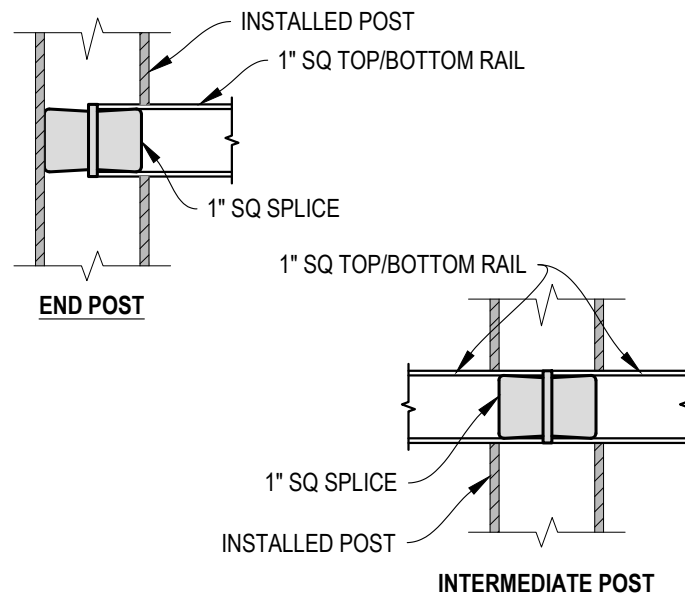
B TYPICAL 90° SIDE MOUNT INSIDE CORNER
DETAIL



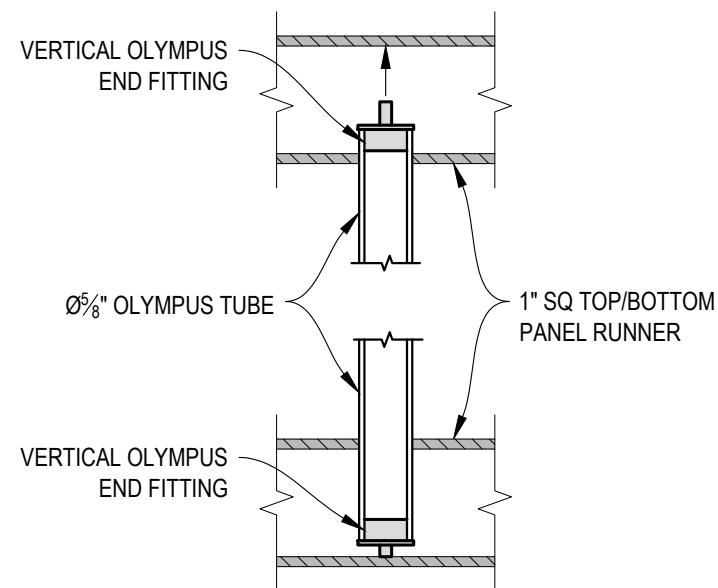
C TYPICAL POST MOUNTING - SIDE MOUNT
DETAIL



D TYPICAL POST MOUNTING - SIDE MOUNT
DETAIL



E FITTING INSTALLATION - VERTICAL PANEL RAIL SPLICE
DETAIL



F FITTING INSTALLATION - OLYMPUS INSERT
DETAIL

VERTICAL OLYMPUS SPECIFICATION DRAWING

** RESIDENTIAL **

42" SIDE MOUNT - WOOD TOP

DWG # SM42W

SCALE NONE

DATE 2026

SHEET

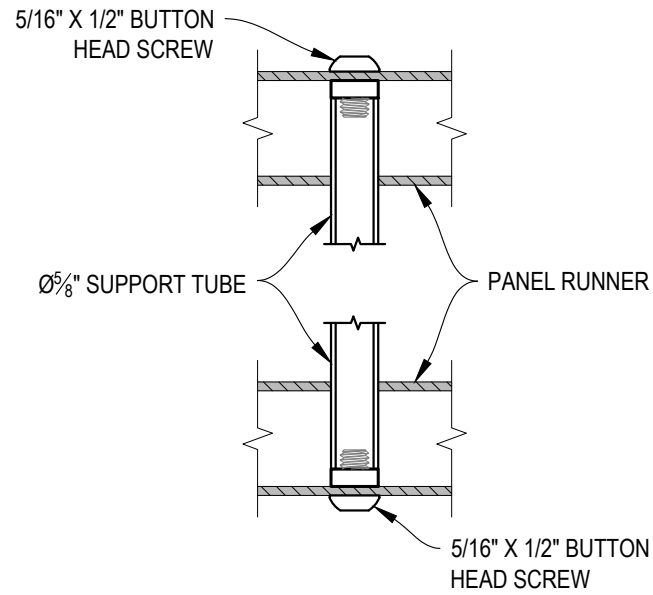
4 OF 5

7873 NEDAY ROAD
BAINBRIDGE ISLAND, WA 98110

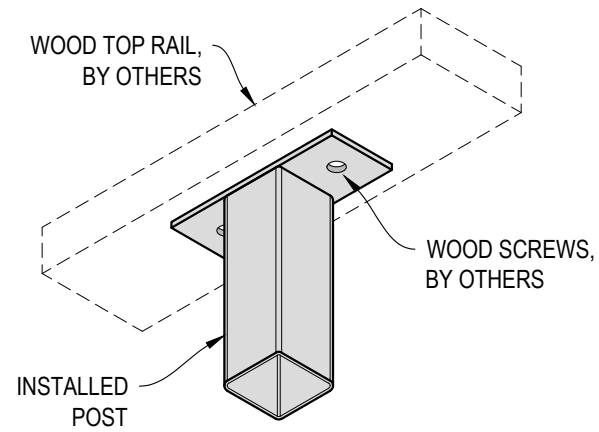
AGS stainless

CLEARVIEW® Railing Systems

PHONE: (888) 842-9492
WWW.AGSSTAINLESS.COM



A FITTING INSTALLATION - MIDDLE SUPPORT TUBE
DETAIL



B TOP RAIL INSTALLATION - WOOD
DETAIL