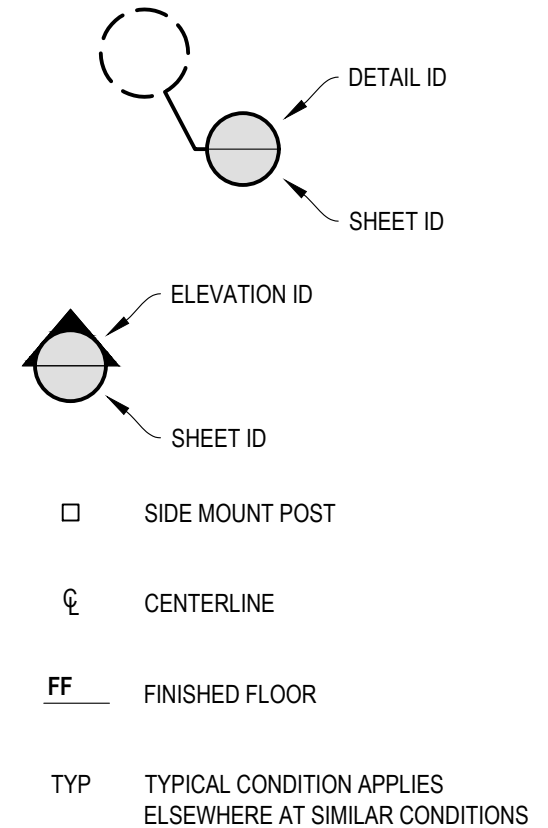


1 EXAMPLE POST LAYOUT
PLAN VIEW

NOTES:

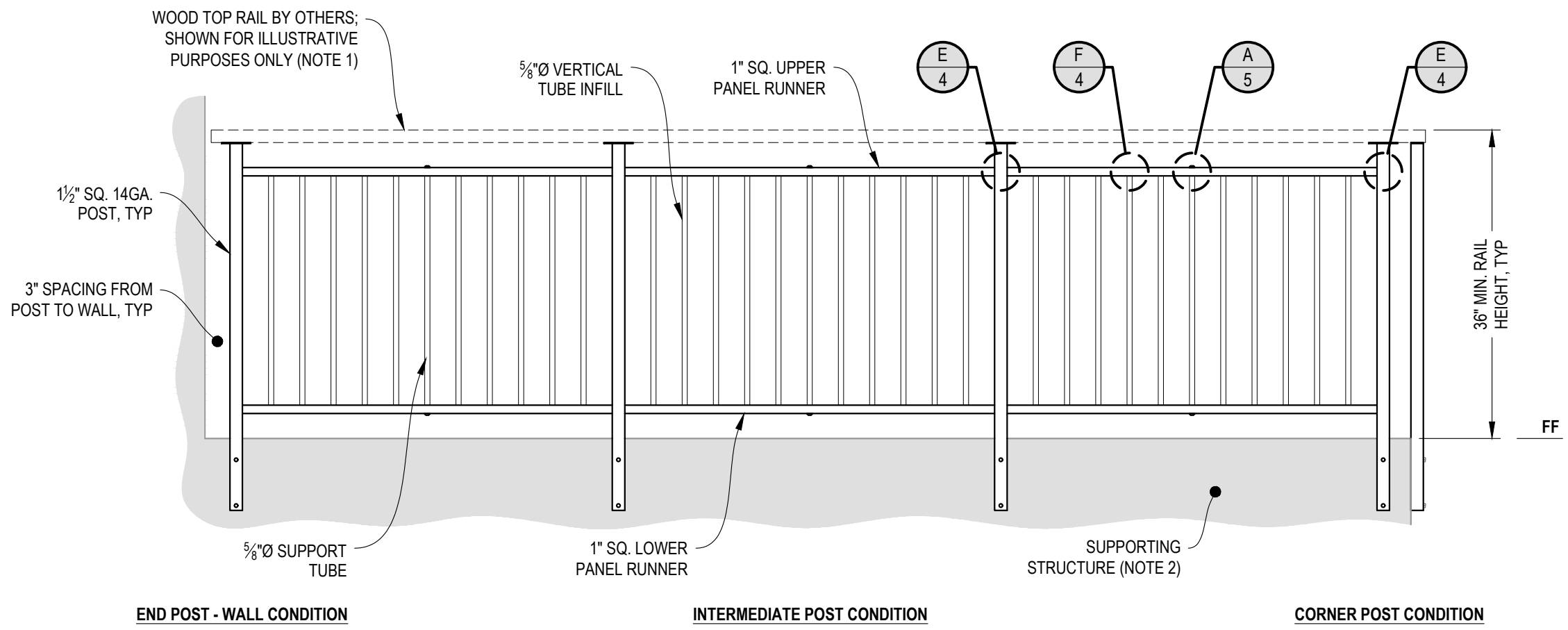
1. TOP RAIL NOT SHOWN FOR CLARITY.
2. ALL PARTS AND COMPONENTS MADE WITH 316 STAINLESS STEEL UNLESS NOTED OTHERWISE.

LEGEND



NOTES:

1. TOP RAIL SHOULD BE SELECTED SO THAT ALL GOVERNING CODE REQUIREMENTS ARE SATISFIED. THESE INCLUDE SHAPE, STRENGTH AND RAILING HEIGHT.
2. DECK STRUCTURE CAN VARY GREATLY. IT IS THE RESPONSIBILITY OF THE CUSTOMER TO VERIFY THAT THE SUPPORTING STRUCTURE IS ADEQUATE TO MEET THE LOAD REQUIREMENTS OF THE GOVERNING BUILDING CODE(S). AGS Stainless Inc. RECOMMENDS CONSULTING A DESIGN OR CONSTRUCTION PROFESSIONAL TO ADDRESS THESE ISSUES.

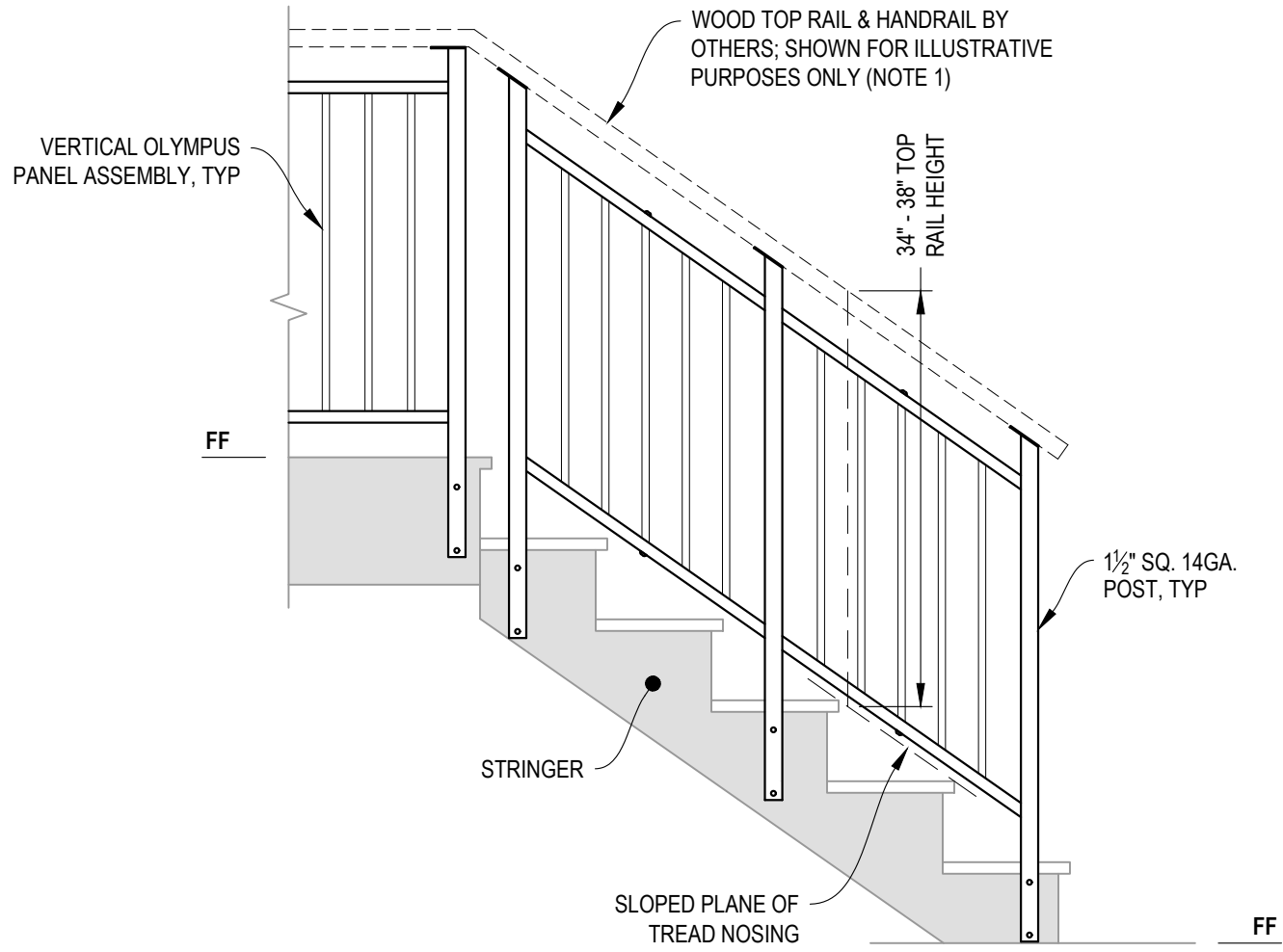


A **TYPICAL RAILING CONDITION**
 ELEVATION

VERTICAL OLYMPUS SPECIFICATION DRAWING
 ** RESIDENTIAL **

36" SIDE MOUNT - WOOD TOP

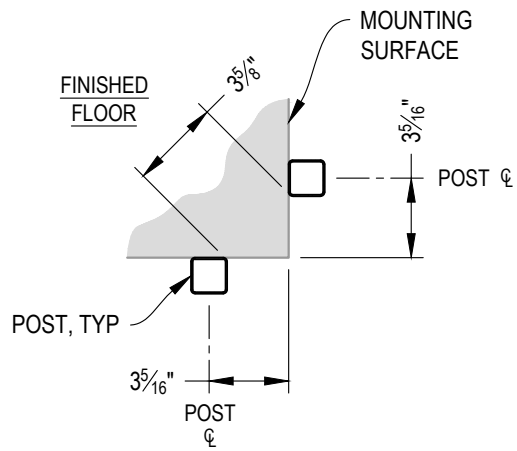
DWG #	SM36W
SCALE	NONE
DATE	2026
SHEET	



A STAIR
ELEVATION

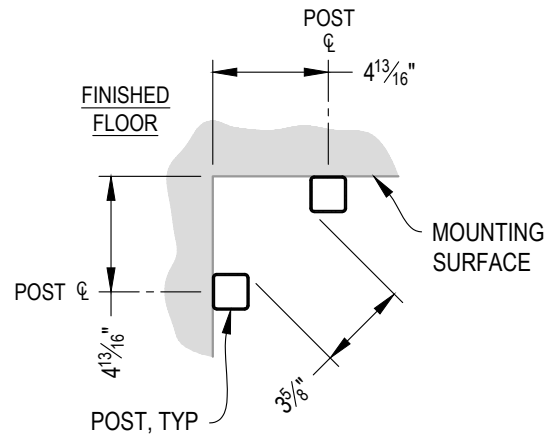
NOTES:

1. TOP RAIL SHOULD BE SELECTED SO THAT ALL GOVERNING CODE REQUIREMENTS ARE SATISFIED. THESE INCLUDE SHAPE, STRENGTH, AND RAILING HEIGHT.
2. STAIR CONSTRUCTION VARIES GREATLY. AS-BUILT CONDITIONS MAY ALTER RAILING DESIGN, INCLUDING POST LOCATION & MOUNTING, INFILL SPACING, AND TOP RAIL LAYOUT.



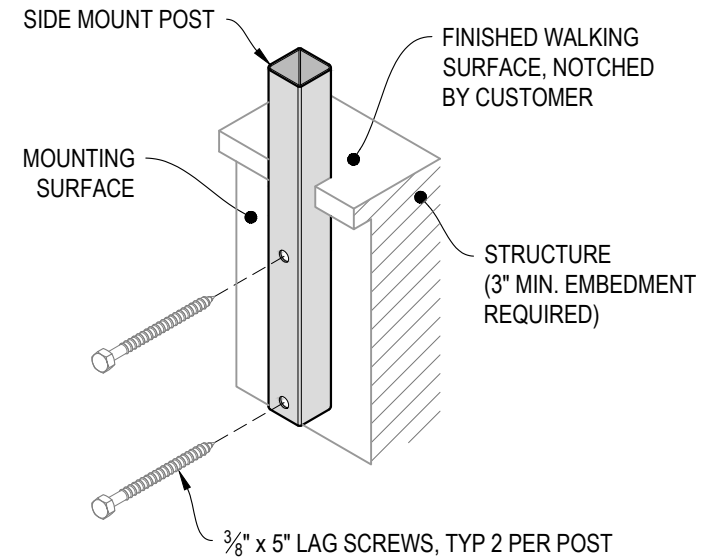
NOTE: 90° SHOWN, OTHER ANGLES SIMILAR

A TYPICAL 90° SIDE MOUNT OUTSIDE CORNER
DETAIL

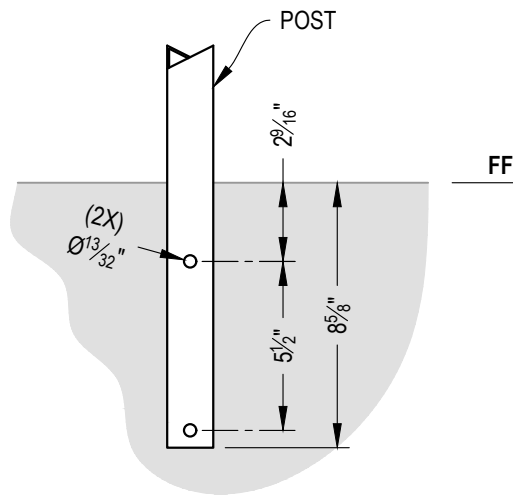


NOTE: 90° SHOWN, OTHER ANGLES SIMILAR

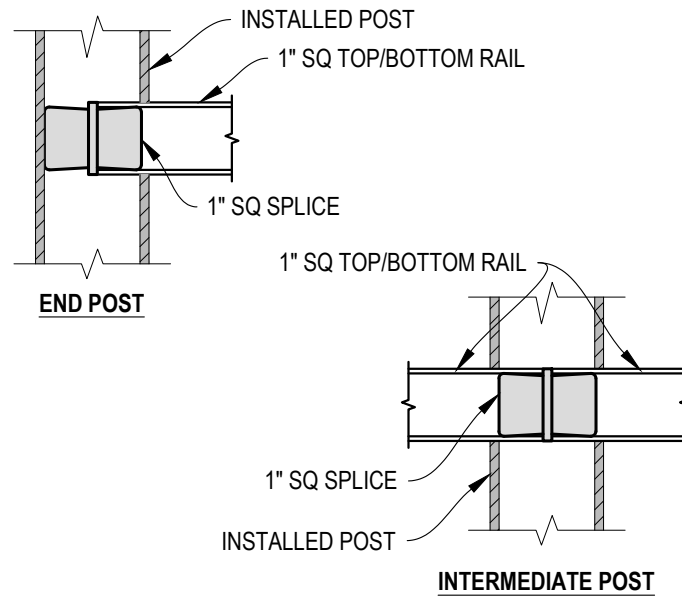
B TYPICAL 90° SIDE MOUNT INSIDE CORNER
DETAIL



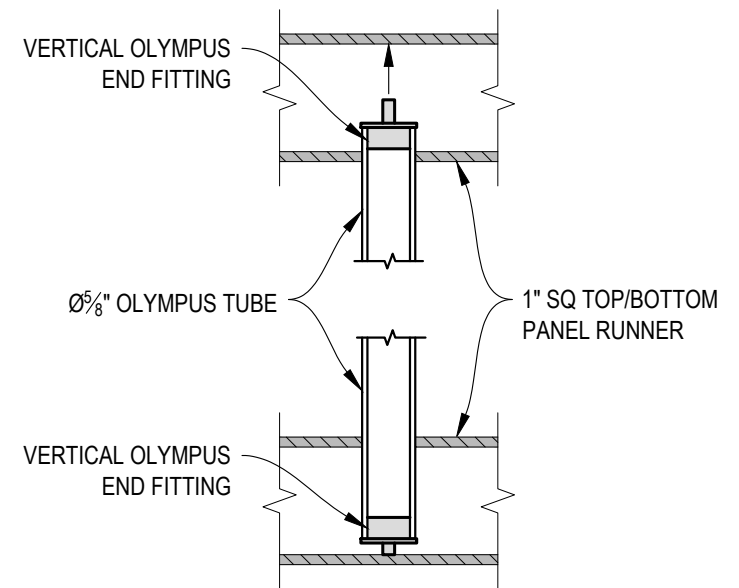
C TYPICAL POST MOUNTING - SIDE MOUNT
DETAIL



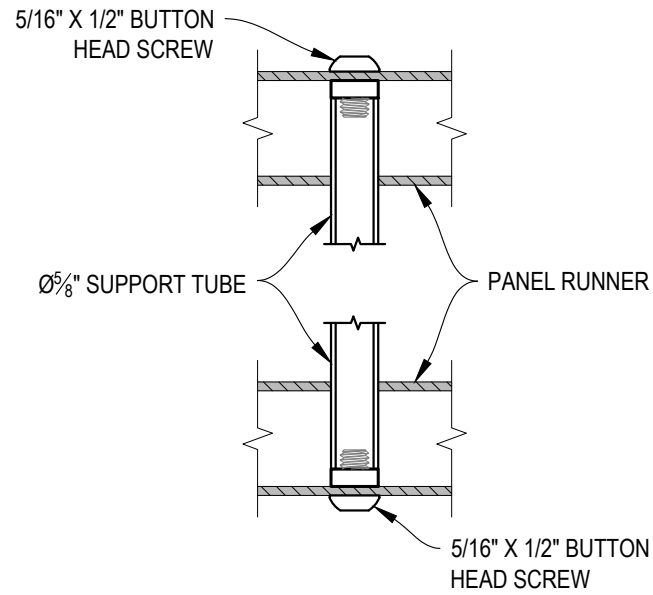
D TYPICAL POST MOUNTING - SIDE MOUNT
DETAIL



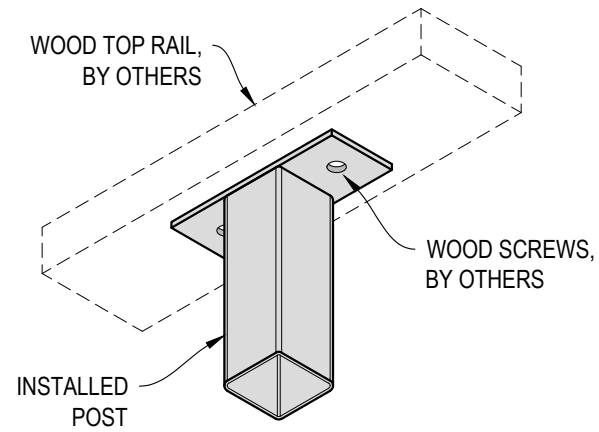
E FITTING INSTALLATION - VERTICAL PANEL RAIL SPLICE
DETAIL



F FITTING INSTALLATION - OLYMPUS INSERT
DETAIL



A FITTING INSTALLATION - MIDDLE SUPPORT TUBE
DETAIL



B TOP RAIL INSTALLATION - WOOD
DETAIL