

1 EXAMPLE POST LAYOUT
PLAN VIEW

AGS Stainless Clearview® Railing Systems are designed to meet the requirements of the latest edition of the IRC/IBC.

NOTES:

1. TOP RAIL NOT SHOWN FOR CLARITY.
2. ALL PARTS AND COMPONENTS MADE WITH 316 STAINLESS STEEL UNLESS NOTED OTHERWISE.

LEGEND

- DETAIL ID
- SHEET ID
- ELEVATION ID
- SHEET ID
- SIDE MOUNT POST
- CENTERLINE
- FF** FINISHED FLOOR
- TYP TYPICAL CONDITION APPLIES ELSEWHERE AT SIMILAR CONDITIONS

VERTICAL OLYMPUS SPECIFICATION DRAWING

** RESIDENTIAL **

36" SIDE MOUNT - ROUND TOP

DWG # SM36R

SCALE NONE

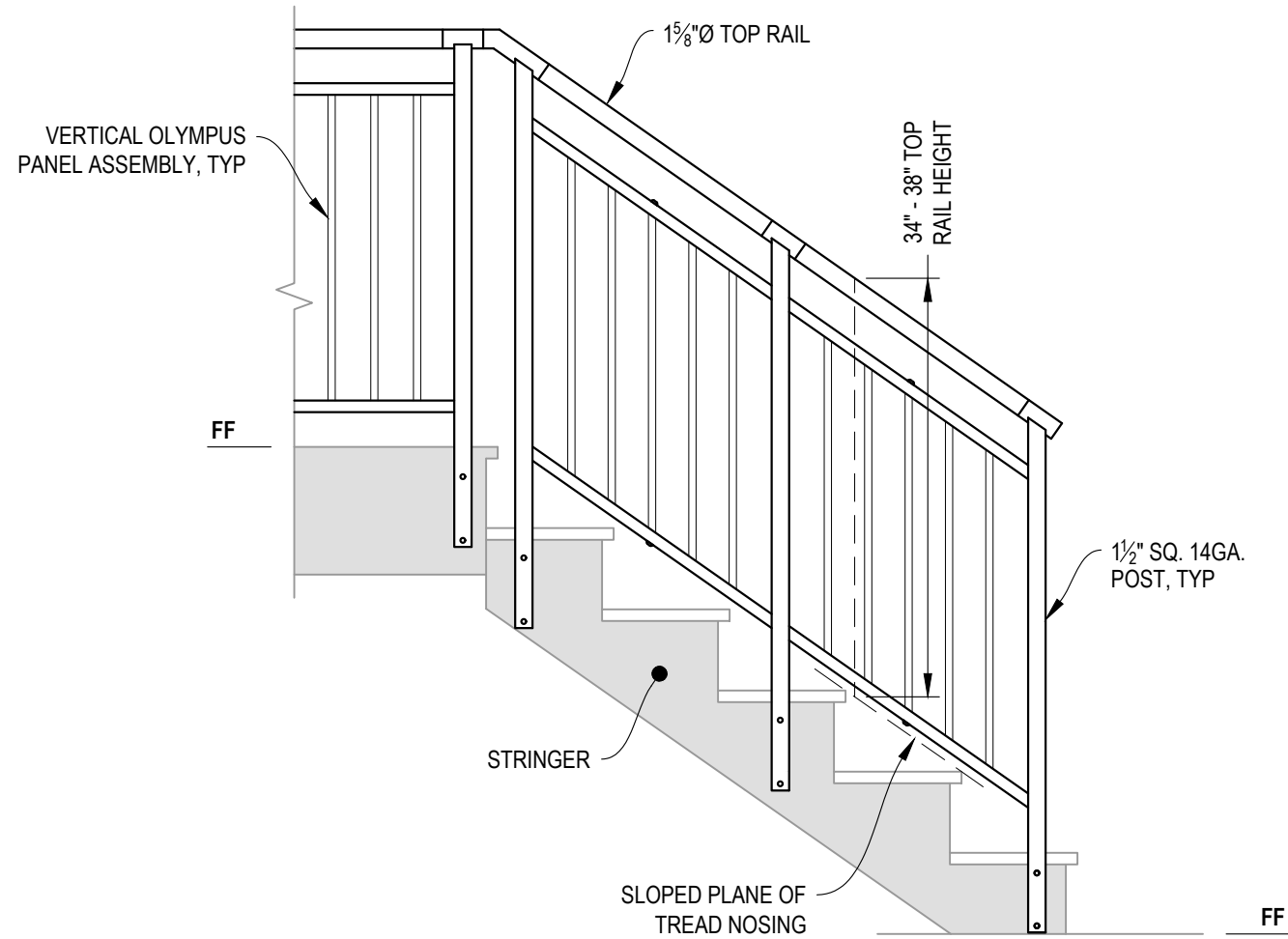
DATE 2026

SHEET

1 OF 5

7873 NEDAY ROAD
BAINBRIDGE ISLAND, WA 98110
PHONE - (888) 842-9492
WWW.AGSSTAINLESS.COM

AGS stainless
CLEARVIEW® Railing Systems



NOTES:

1. STAIR CONSTRUCTION VARIES GREATLY. AS-BUILT CONDITIONS MAY ALTER RAILING DESIGN, INCLUDING POST LOCATION & MOUNTING, INFILL SPACING, AND TOP RAIL LAYOUT.

A STAIR
ELEVATION

AGS Stainless Clearview® Railing Systems are designed to meet the requirements of the latest edition of the IRC/IBC.

7873 NEDAY ROAD
BAINBRIDGE ISLAND, WA 98110
PHONE - (888) 842-9492
WWW.AGSSTAINLESS.COM



VERTICAL OLYMPUS SPECIFICATION DRAWING

** RESIDENTIAL **

36" SIDE MOUNT - ROUND TOP

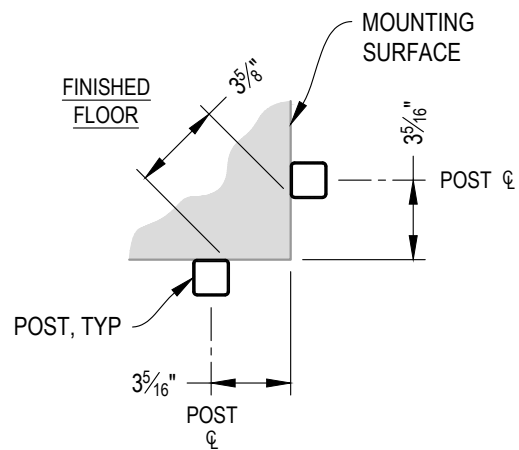
DWG # SM36R

SCALE NONE

DATE 2026

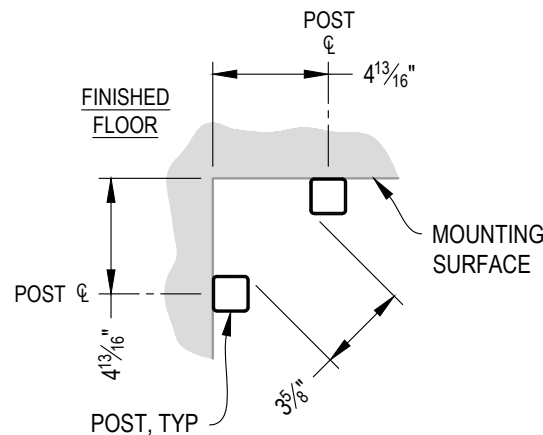
SHEET

3 OF **5**



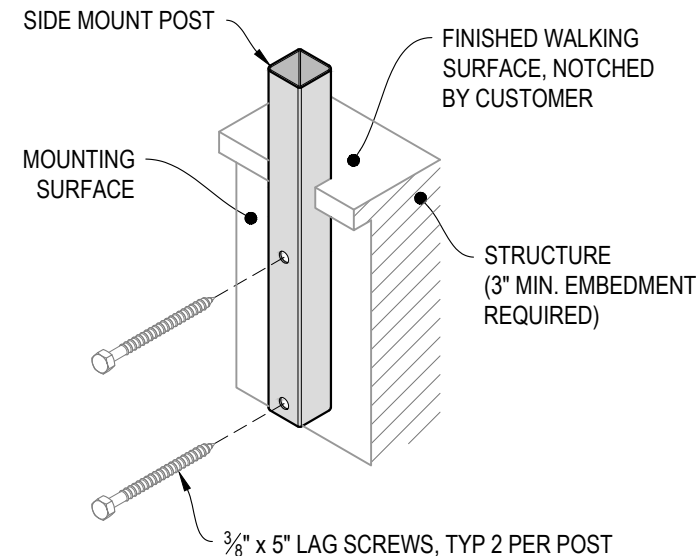
NOTE: 90° SHOWN, OTHER ANGLES SIMILAR

A TYPICAL 90° SIDE MOUNT OUTSIDE CORNER
DETAIL

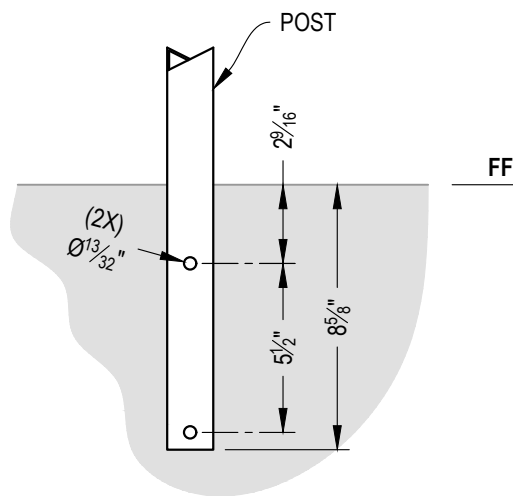


NOTE: 90° SHOWN, OTHER ANGLES SIMILAR

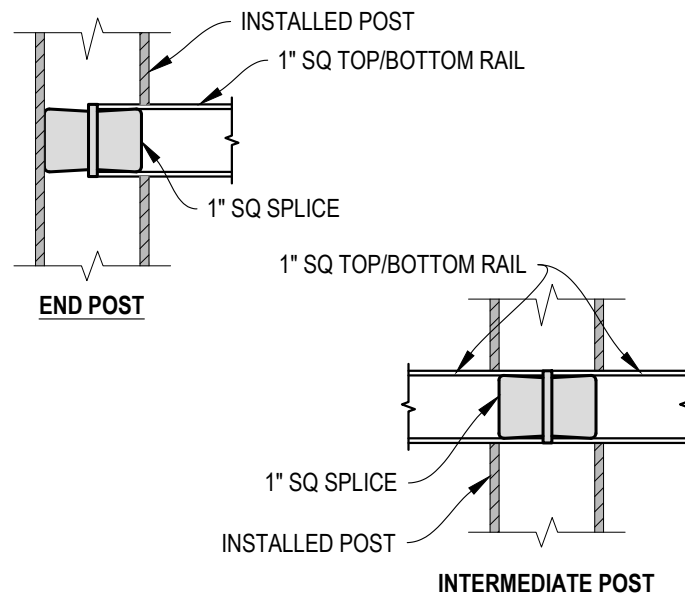
B TYPICAL 90° SIDE MOUNT INSIDE CORNER
DETAIL



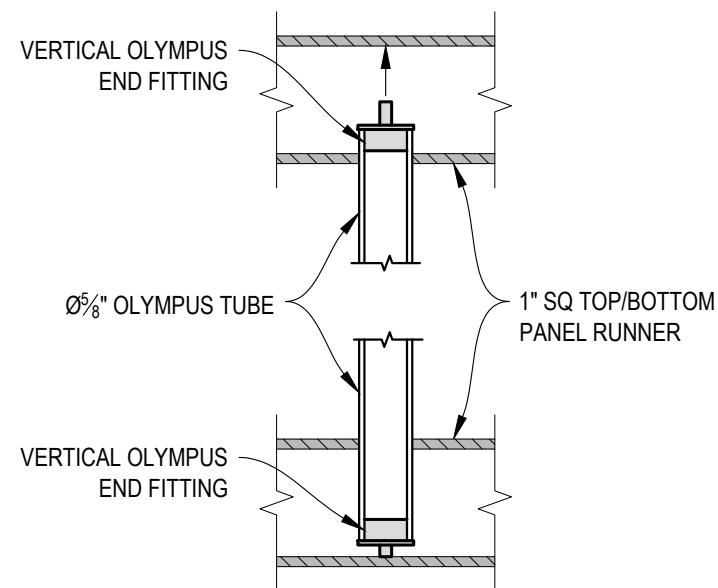
C TYPICAL POST MOUNTING - SIDE MOUNT
DETAIL



D TYPICAL POST MOUNTING - SIDE MOUNT
DETAIL



E FITTING INSTALLATION - VERTICAL PANEL RAIL SPLICE
DETAIL

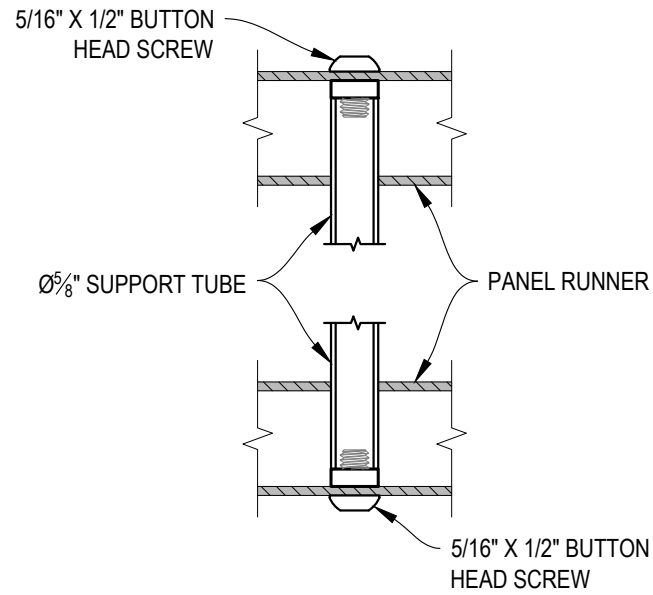


F FITTING INSTALLATION - OLYMPUS INSERT
DETAIL

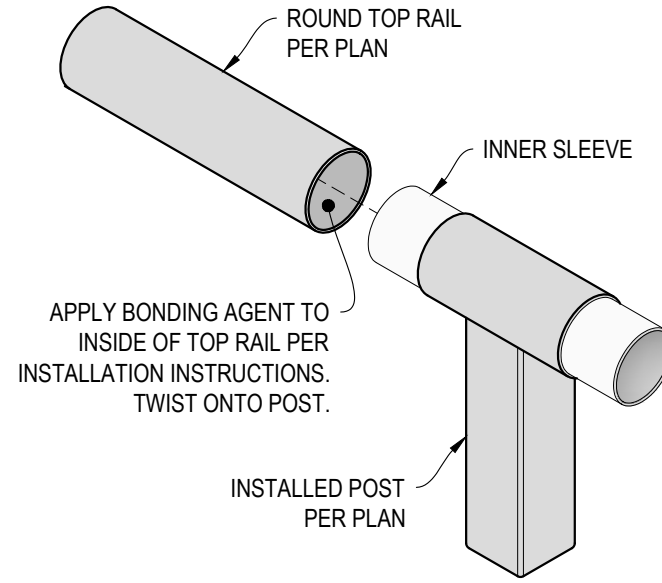
VERTICAL OLYMPUS SPECIFICATION DRAWING
** RESIDENTIAL **

36" SIDE MOUNT - ROUND TOP

DWG # SM36R
SCALE NONE
DATE 2026
SHEET



A FITTING INSTALLATION - MIDDLE SUPPORT TUBE
DETAIL



B TOP RAIL INSTALLATION - ROUND
DETAIL