

**1** EXAMPLE POST LAYOUT  
PLAN VIEW

AGS Stainless Clearview® Railing Systems are designed to meet the requirements of the latest edition of the IRC/IBC.

**NOTES:**

1. TOP RAIL NOT SHOWN FOR CLARITY.
2. ALL PARTS AND COMPONENTS MADE WITH 316 STAINLESS STEEL UNLESS NOTED OTHERWISE.

**LEGEND**

- DETAIL ID
- SHEET ID
- ELEVATION ID
- SHEET ID
- SIDE MOUNT POST
- CENTERLINE
- FF** FINISHED FLOOR
- TYP TYPICAL CONDITION APPLIES ELSEWHERE AT SIMILAR CONDITIONS

7873 NEDAY ROAD  
BAINBRIDGE ISLAND, WA 98110  
PHONE - (888) 842-9492  
WWW.AGSSTAINLESS.COM

**AGS stainless**  
CLEARVIEW® Railing Systems

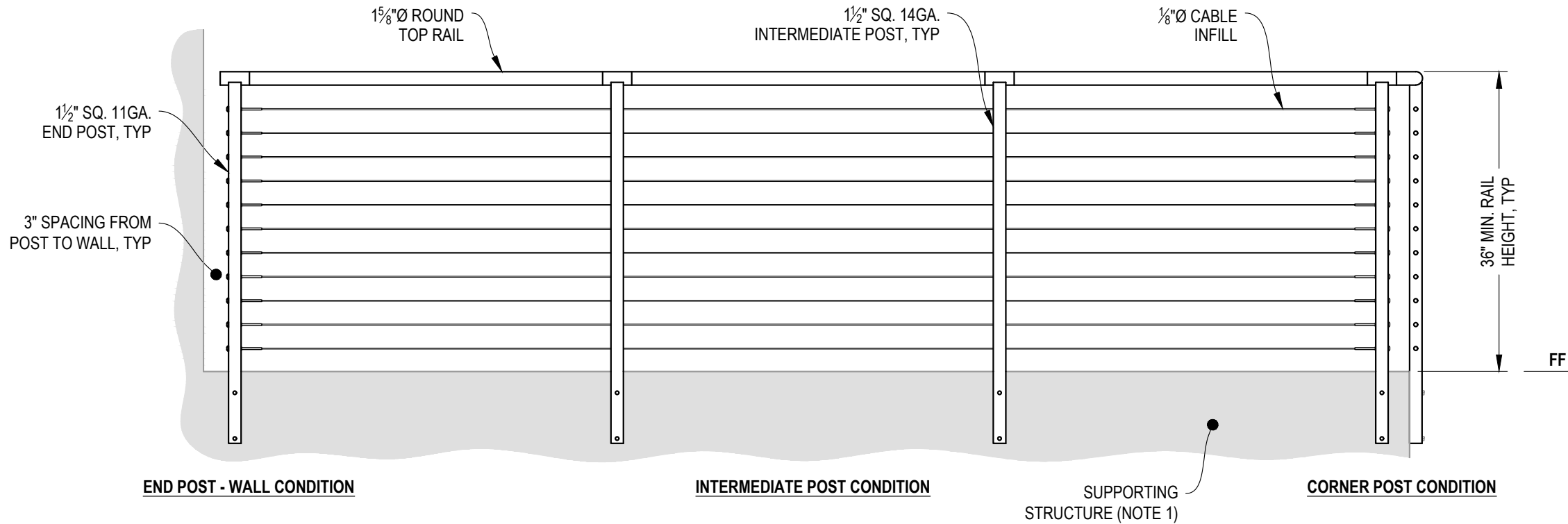
**RAINIER SPECIFICATION DRAWING**  
\*\* RESIDENTIAL \*\*

**36" SIDE MOUNT - ROUND TOP**

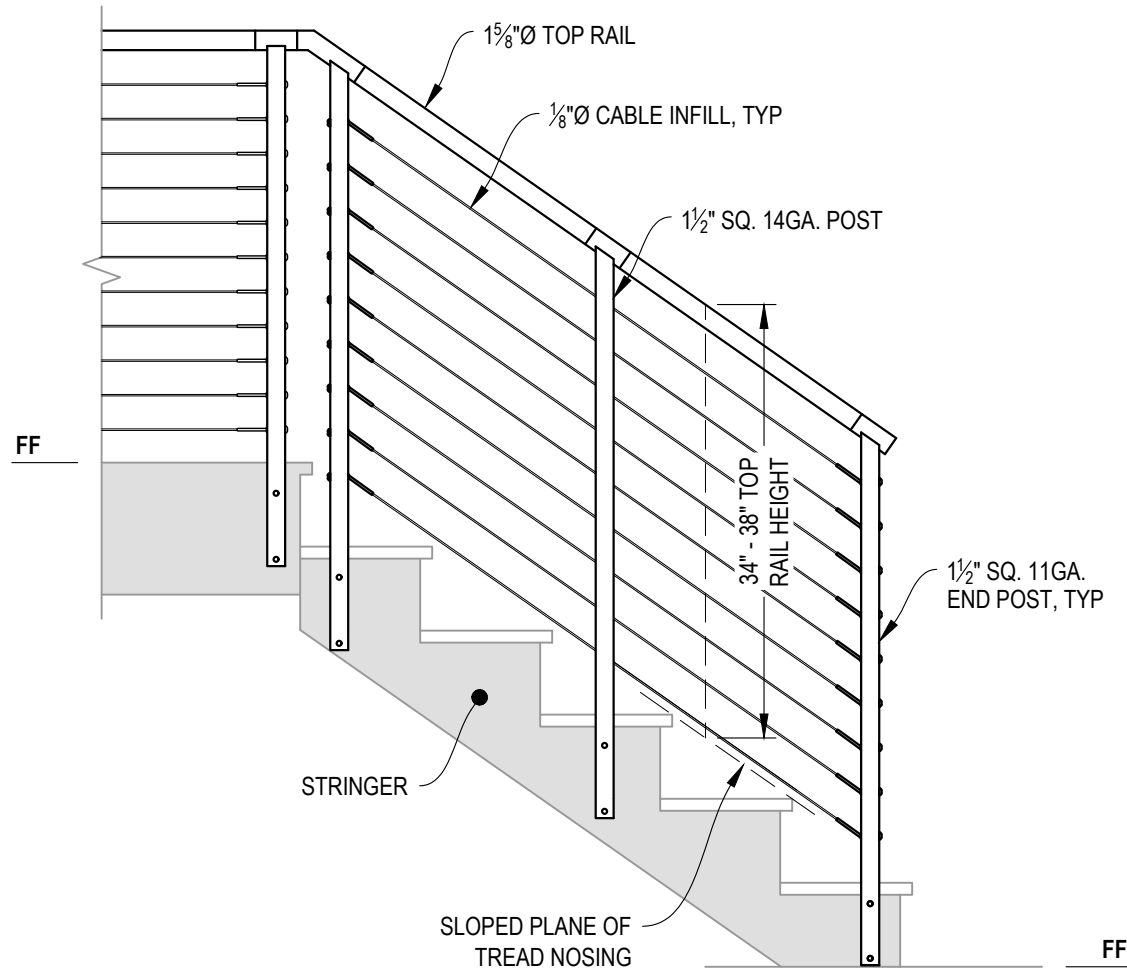
DWG #	SM36R
SCALE	NONE
DATE	2026
SHEET	<b>1</b> OF 4

**NOTES:**

1. DECK STRUCTURE CAN VARY GREATLY. IT IS THE RESPONSIBILITY OF THE CUSTOMER TO VERIFY THAT THE SUPPORTING STRUCTURE IS ADEQUATE TO MEET THE LOAD REQUIREMENTS OF THE GOVERNING BUILDING CODE(S). *AGS Stainless Inc.* RECOMMENDS CONSULTING A DESIGN OR CONSTRUCTION PROFESSIONAL TO ADDRESS THESE ISSUES.



**A** TYPICAL RAILING CONDITION  
ELEVATION



**A** STAIR  
ELEVATION

**NOTES:**

1. STAIR CONSTRUCTION VARIES GREATLY. AS-BUILT CONDITIONS MAY ALTER RAILING DESIGN, INCLUDING POST LOCATION & MOUNTING, INFILL SPACING, AND TOP RAIL LAYOUT.

7873 NEDAY ROAD  
BAINBRIDGE ISLAND, WA 98110  
PHONE - (888) 842-9492  
WWW.AGSSTAINLESS.COM

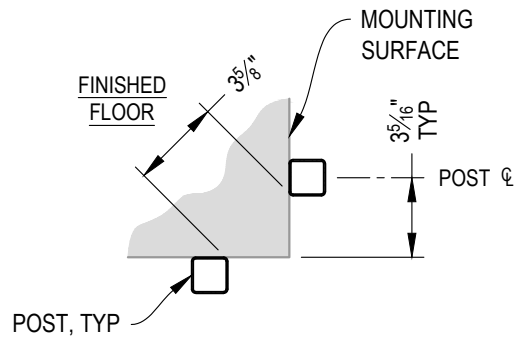


RAINIER SPECIFICATION DRAWING  
\*\* RESIDENTIAL \*\*

36" SIDE MOUNT - ROUND TOP

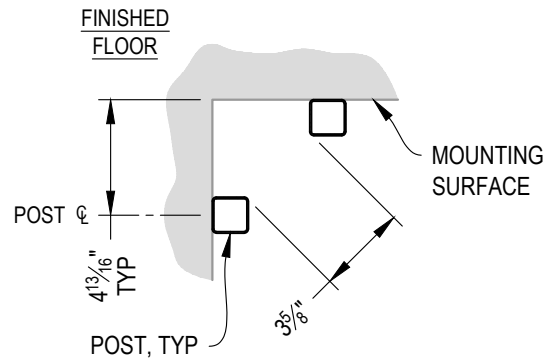
DWG #	SM36R
SCALE	NONE
DATE	2026
SHEET	

**3** OF **4**



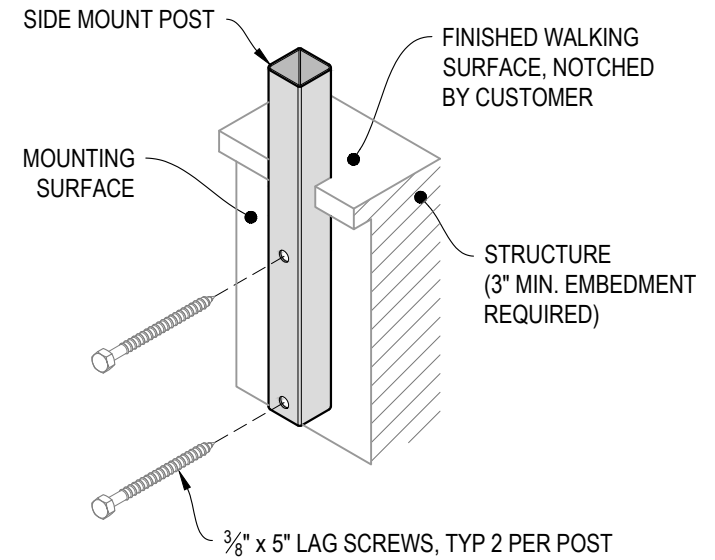
NOTE: 90° SHOWN, OTHER ANGLES SIMILAR

**A** TYPICAL 90° SIDE MOUNT OUTSIDE CORNER  
DETAIL

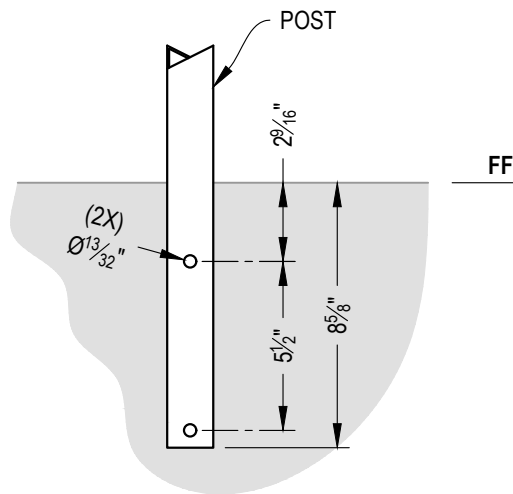


NOTE: 90° SHOWN, OTHER ANGLES SIMILAR

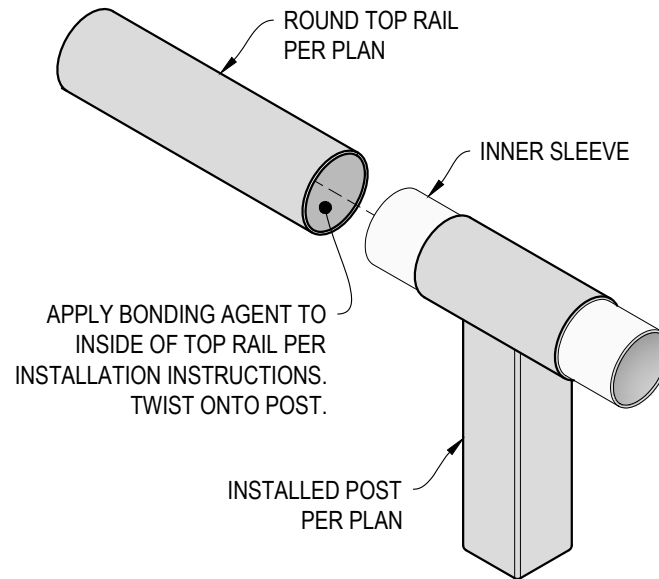
**B** TYPICAL 90° SIDE MOUNT INSIDE CORNER  
DETAIL



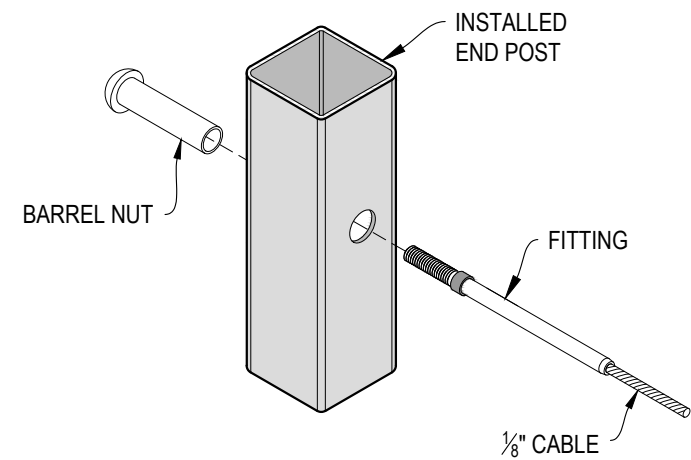
**C** TYPICAL POST MOUNTING - SIDE MOUNT  
DETAIL



**D** TYPICAL POST MOUNTING - SIDE MOUNT  
DETAIL



**E** TOP RAIL INSTALLATION - ROUND  
DETAIL



**F** FITTING INSTALLATION - BARREL NUT  
DETAIL