

**1** **EXAMPLE POST LAYOUT**  
PLAN VIEW

AGS Stainless Clearview® Railing Systems are designed to meet the requirements of the latest edition of the IRC/IBC.

**NOTES:**

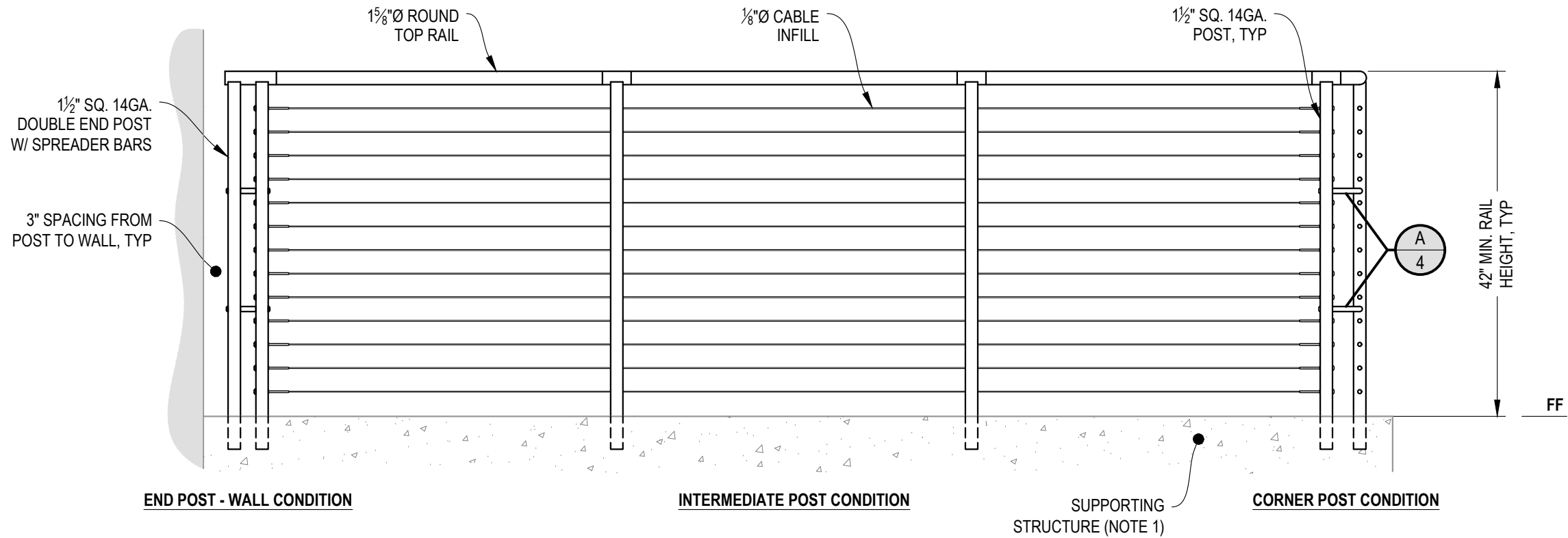
1. TOP RAIL NOT SHOWN FOR CLARITY.
2. ALL PARTS AND COMPONENTS MADE WITH 316 STAINLESS STEEL UNLESS NOTED OTHERWISE.

**LEGEND**

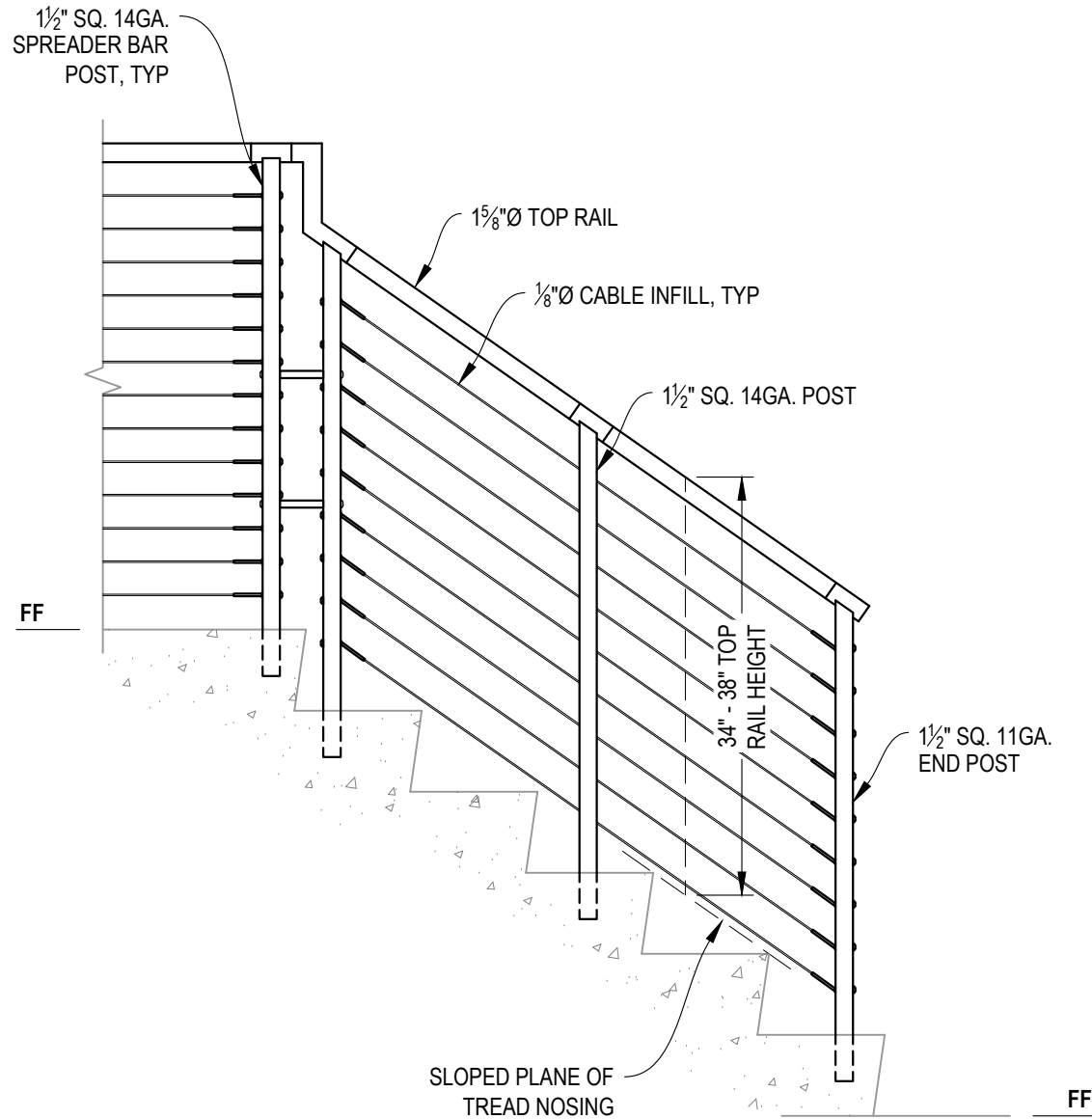
- DETAIL ID
- SHEET ID
- ELEVATION ID
- SHEET ID
- CORE DRILL POST
- CORE DRILL DOUBLE POST
- CENTERLINE
- FF** FINISHED FLOOR
- TYP TYPICAL CONDITION APPLIES ELSEWHERE AT SIMILAR CONDITIONS

**NOTES:**

1. DECK STRUCTURE CAN VARY GREATLY. IT IS THE RESPONSIBILITY OF THE CUSTOMER TO VERIFY THAT THE SUPPORTING STRUCTURE IS ADEQUATE TO MEET THE LOAD REQUIREMENTS OF THE GOVERNING BUILDING CODE(S). *AGS Stainless Inc.* RECOMMENDS CONSULTING A DESIGN OR CONSTRUCTION PROFESSIONAL TO ADDRESS THESE ISSUES.



**A** TYPICAL RAILING CONDITION ELEVATION



**A** STAIR ELEVATION

**NOTES:**

1. STAIR CONSTRUCTION VARIES GREATLY. AS-BUILT CONDITIONS MAY ALTER RAILING DESIGN, INCLUDING POST LOCATION & MOUNTING, INFILL SPACING, AND TOP RAIL LAYOUT.

7873 NEDAY ROAD  
 BAINBRIDGE ISLAND, WA 98110  
 PHONE - (888) 842-9492  
 WWW.AGSSTAINLESS.COM



RAINIER SPECIFICATION DRAWING

\*\* RESIDENTIAL \*\*

42" CORE DRILL - ROUND TOP

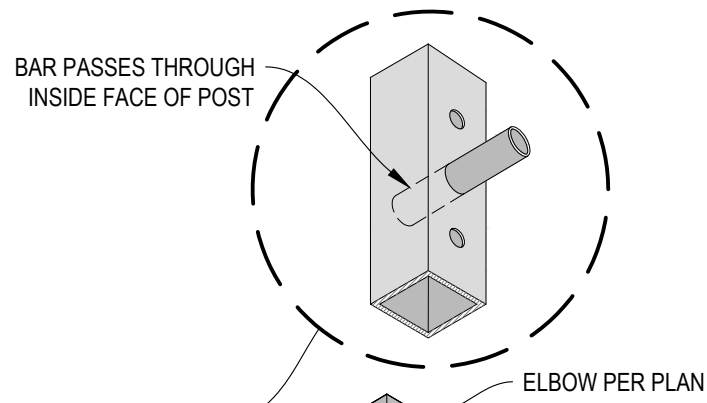
DWG # CD42R

SCALE NONE

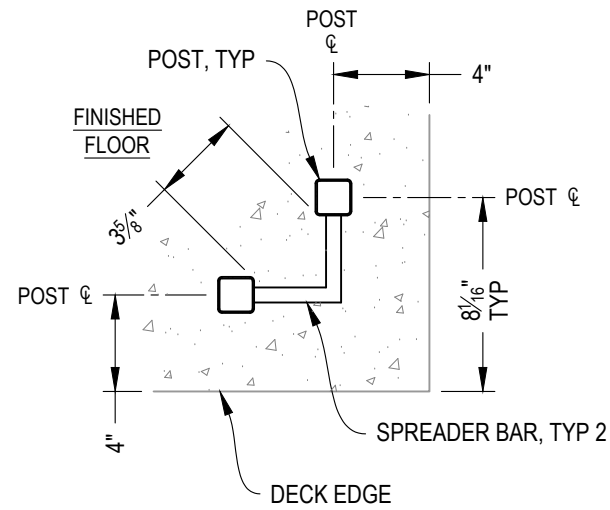
DATE 2026

SHEET

**3** OF **5**

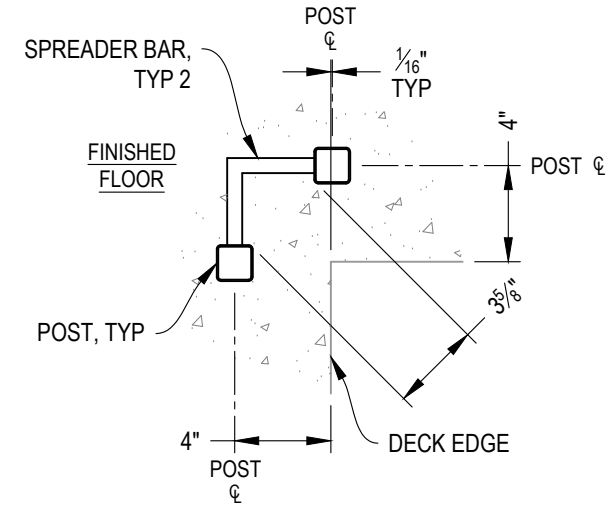


**A** CORNER POST ASSEMBLY  
DETAIL



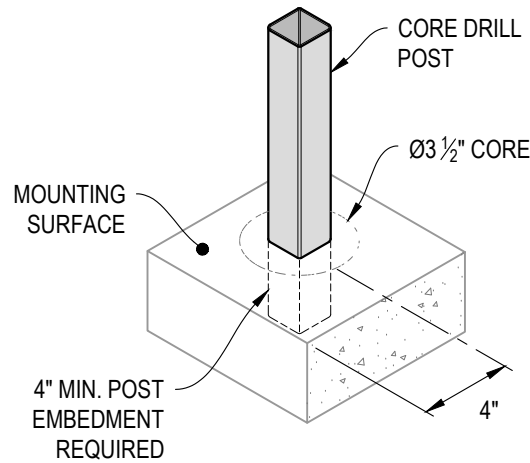
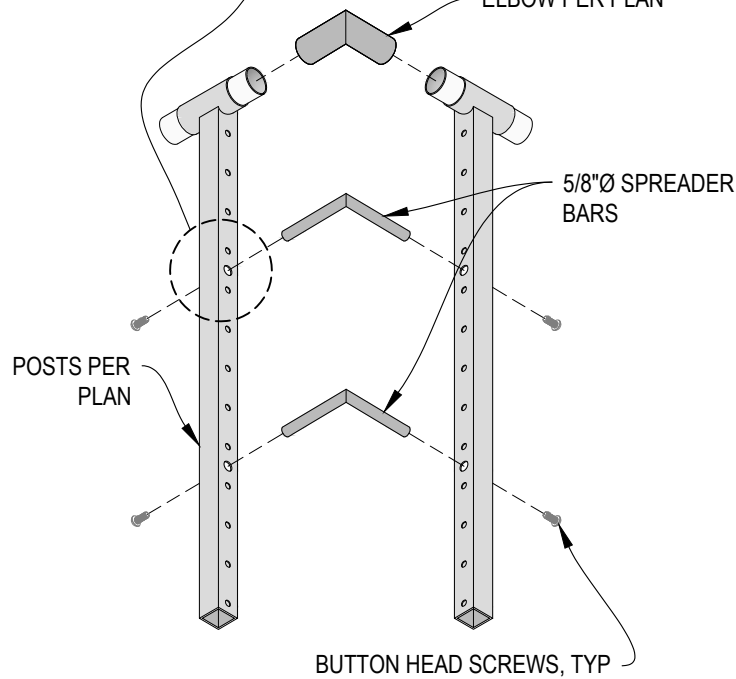
NOTE: 90° SHOWN, OTHER ANGLES SIMILAR

**B** TYPICAL 90° TOP MOUNT OUTSIDE CORNER  
DETAIL

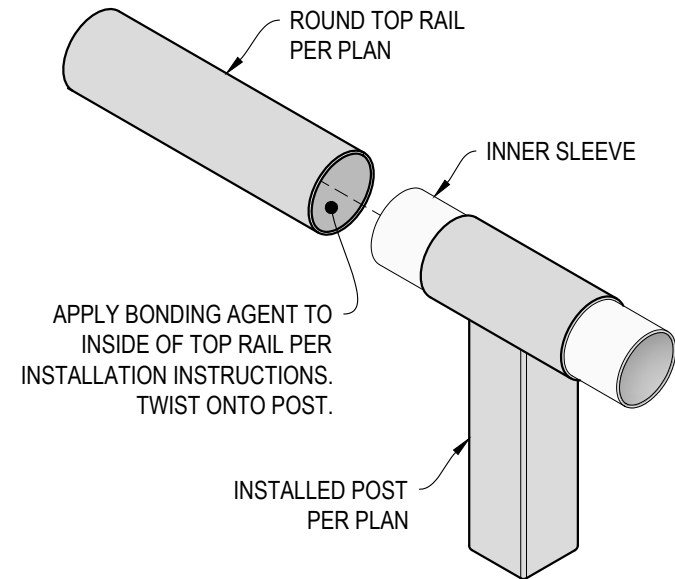


NOTE: 90° SHOWN, OTHER ANGLES SIMILAR

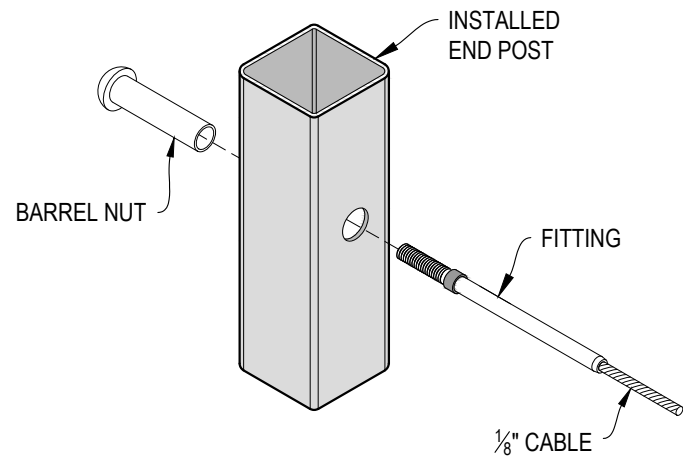
**C** TYPICAL 90° TOP MOUNT INSIDE CORNER  
DETAIL



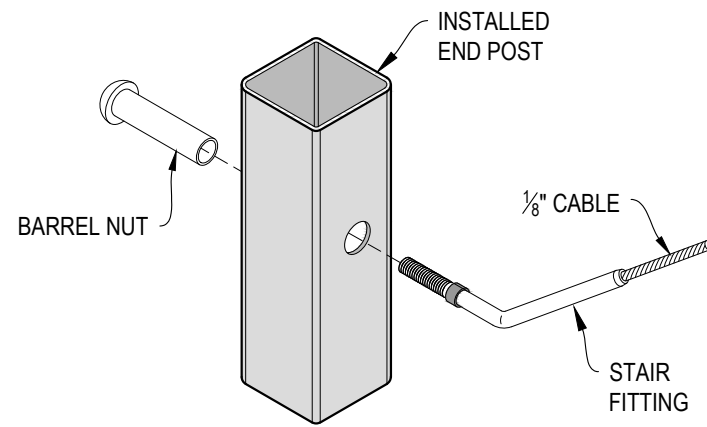
**D** TYPICAL POST MOUNTING - CORE DRILL  
DETAIL



**E** TOP RAIL INSTALLATION - ROUND  
DETAIL



**A** FITTING INSTALLATION - BARREL NUT  
DETAIL



**B** FITTING INSTALLATION - STAIR  
DETAIL