

**1** **EXAMPLE POST LAYOUT**  
PLAN VIEW

AGS Stainless Clearview® Railing Systems are designed to meet the requirements of the latest edition of the IRC/IBC.

**NOTES:**

1. TOP RAIL NOT SHOWN FOR CLARITY.
2. ALL PARTS AND COMPONENTS MADE WITH 316 STAINLESS STEEL UNLESS NOTED OTHERWISE.

**LEGEND**

- DETAIL ID
- SHEET ID
- ELEVATION ID
- SHEET ID
- CORE DRILL POST
- CORE DRILL DOUBLE POST
- CENTERLINE
- FF** FINISHED FLOOR
- TYP TYPICAL CONDITION APPLIES ELSEWHERE AT SIMILAR CONDITIONS

7873 NEDAY ROAD  
BAINBRIDGE ISLAND, WA 98110  
PHONE - (888) 842-9492  
WWW.AGSSTAINLESS.COM

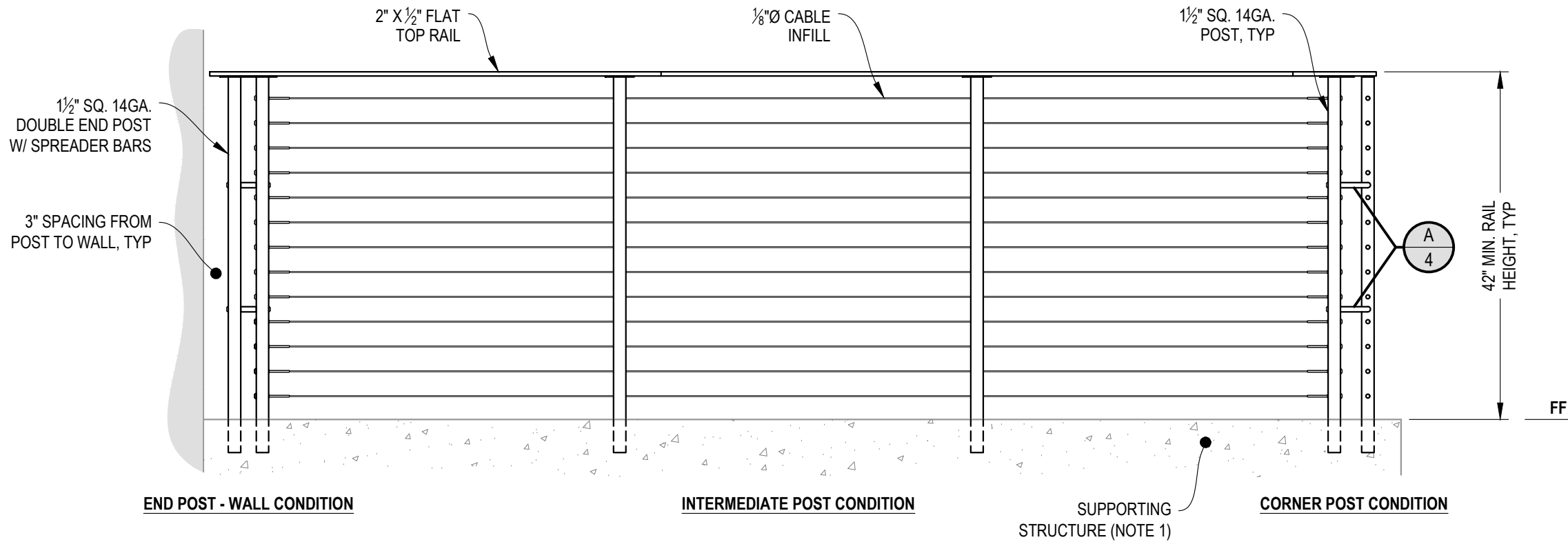
**AGS stainless**  
CLEARVIEW® Railing Systems

**RAINIER SPECIFICATION DRAWING**  
\*\* RESIDENTIAL \*\*  
**42" CORE DRILL - FLAT TOP**

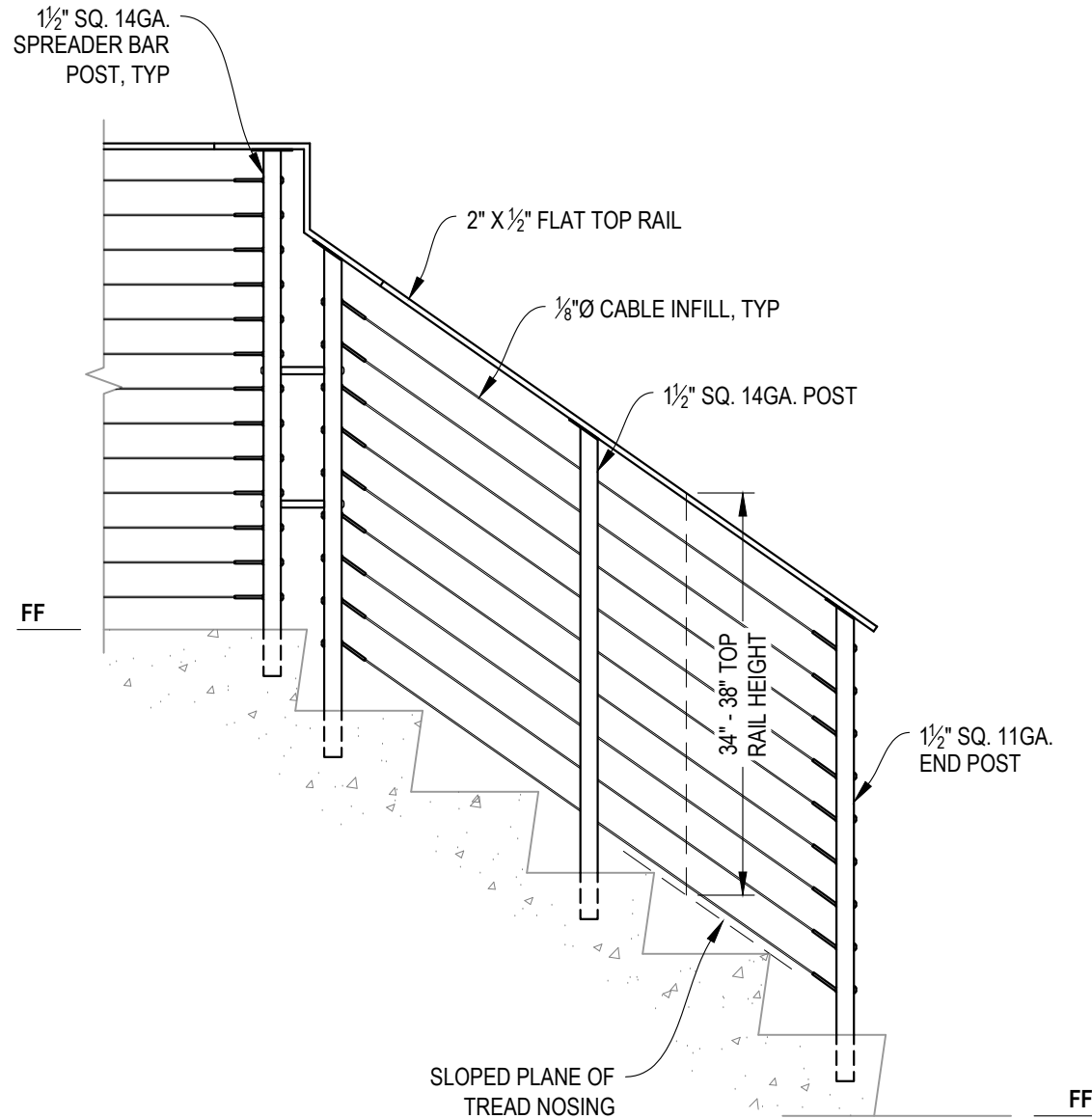
DWG #	CD42F
SCALE	NONE
DATE	2026
SHEET	<b>1</b> OF 5

**NOTES:**

1. DECK STRUCTURE CAN VARY GREATLY. IT IS THE RESPONSIBILITY OF THE CUSTOMER TO VERIFY THAT THE SUPPORTING STRUCTURE IS ADEQUATE TO MEET THE LOAD REQUIREMENTS OF THE GOVERNING BUILDING CODE(S). AGS Stainless Inc. RECOMMENDS CONSULTING A DESIGN OR CONSTRUCTION PROFESSIONAL TO ADDRESS THESE ISSUES.



**A** **TYPICAL RAILING CONDITION**  
ELEVATION



**A** STAIR ELEVATION

**NOTES:**

1. STAIR CONSTRUCTION VARIES GREATLY. AS-BUILT CONDITIONS MAY ALTER RAILING DESIGN, INCLUDING POST LOCATION & MOUNTING, INFILL SPACING, AND TOP RAIL LAYOUT.

7873 NEDAY ROAD  
 BAINBRIDGE ISLAND, WA 98110  
 PHONE - (888) 842-9492  
 WWW.AGSSTAINLESS.COM



RAINIER SPECIFICATION DRAWING

\*\* RESIDENTIAL \*\*

42" CORE DRILL - FLAT TOP

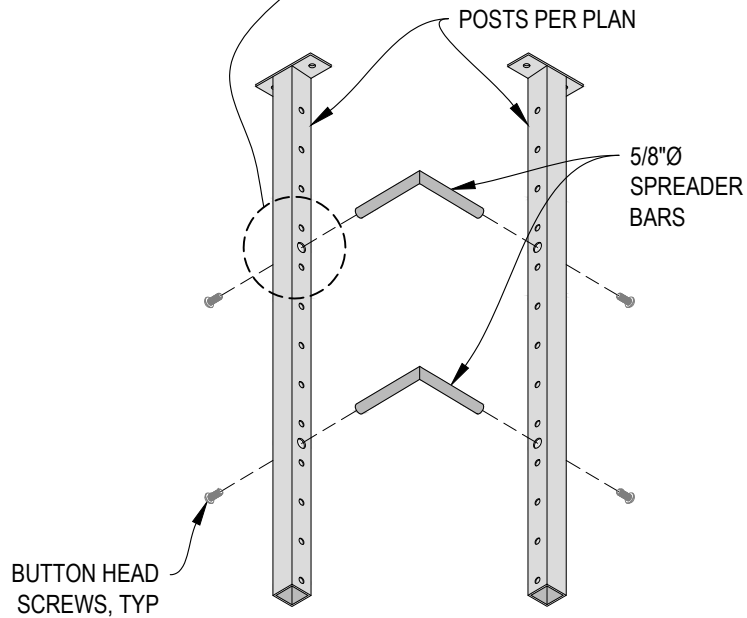
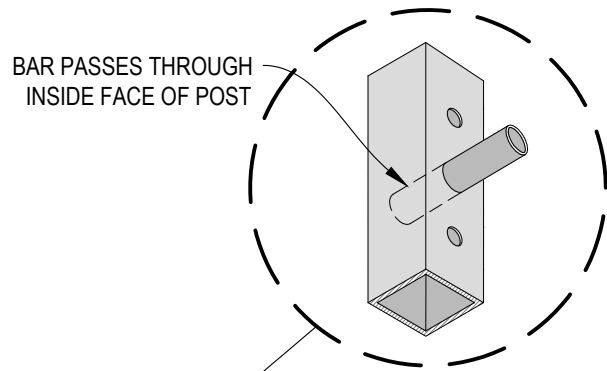
DWG # CD42F

SCALE NONE

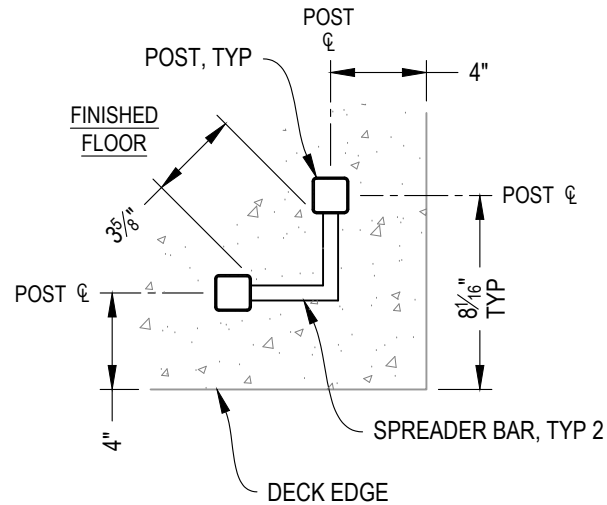
DATE 2026

SHEET

**3** OF **5**

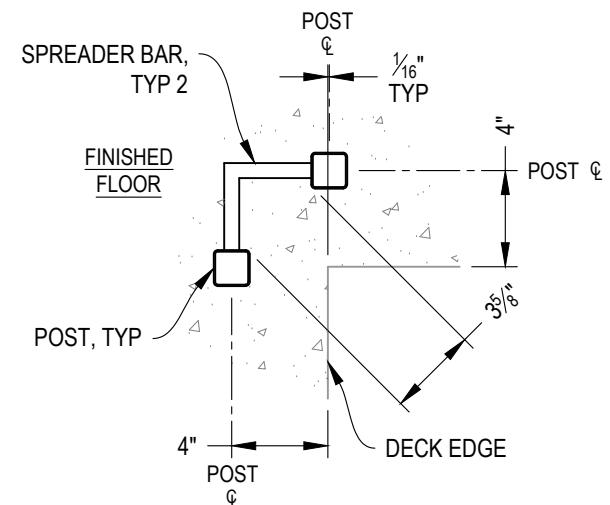


**A** CORNER POST ASSEMBLY  
DETAIL



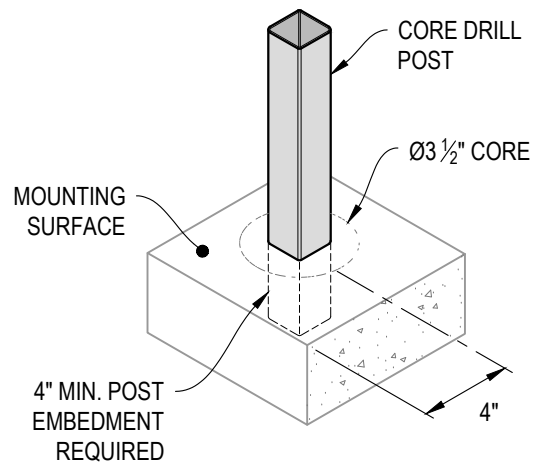
NOTE: 90° SHOWN, OTHER ANGLES SIMILAR

**B** TYPICAL 90° TOP MOUNT OUTSIDE CORNER  
DETAIL

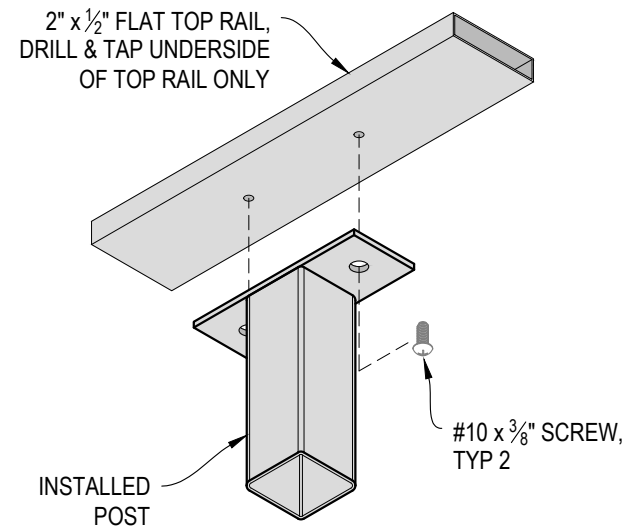


NOTE: 90° SHOWN, OTHER ANGLES SIMILAR

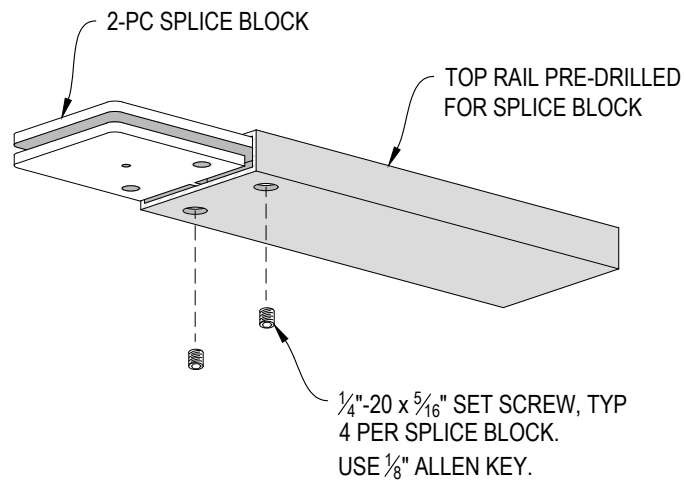
**C** TYPICAL 90° TOP MOUNT INSIDE CORNER  
DETAIL



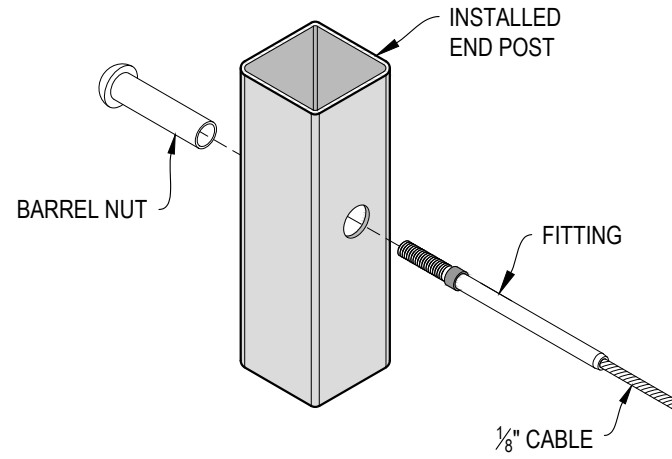
**D** TYPICAL POST MOUNTING - CORE DRILL  
DETAIL



**E** TOP RAIL INSTALLATION - FLAT  
DETAIL



**A** SPLICE BLOCK ASSEMBLY - FLAT  
DETAIL



**B** FITTING INSTALLATION - BARREL NUT  
DETAIL