

**1** **EXAMPLE POST LAYOUT**  
PLAN VIEW

AGS Stainless Clearview® Railing Systems are designed to meet the requirements of the latest edition of the IRC/IBC.

**NOTES:**

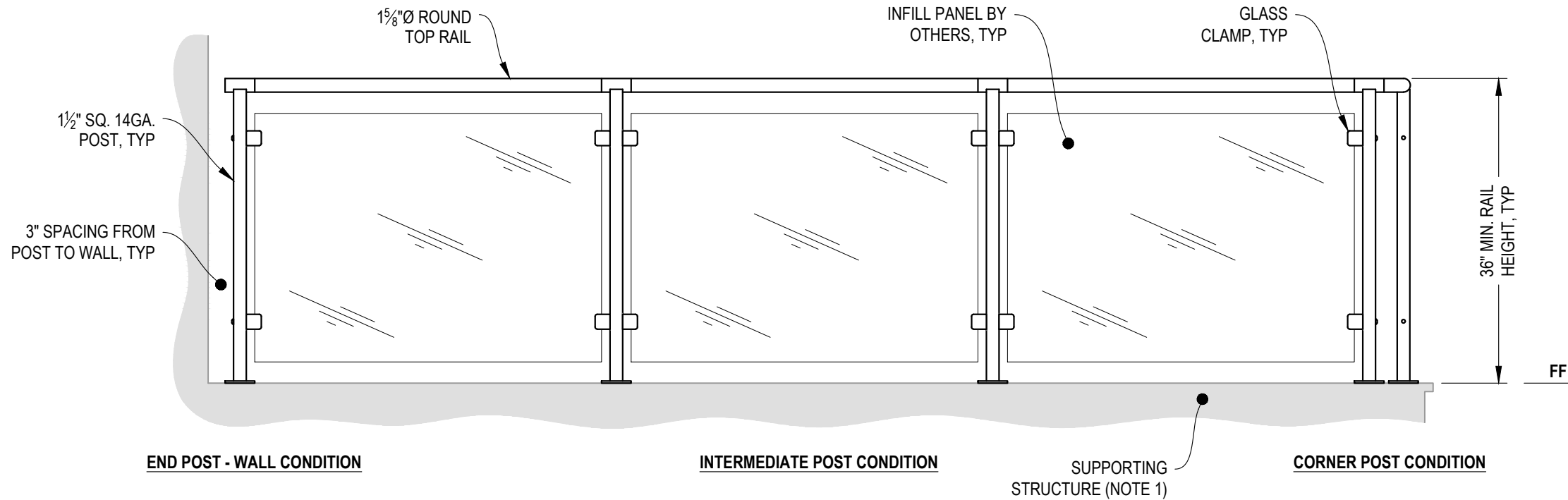
1. TOP RAIL NOT SHOWN FOR CLARITY.
2. ALL PARTS AND COMPONENTS MADE WITH 316 STAINLESS STEEL UNLESS NOTED OTHERWISE.

**LEGEND**

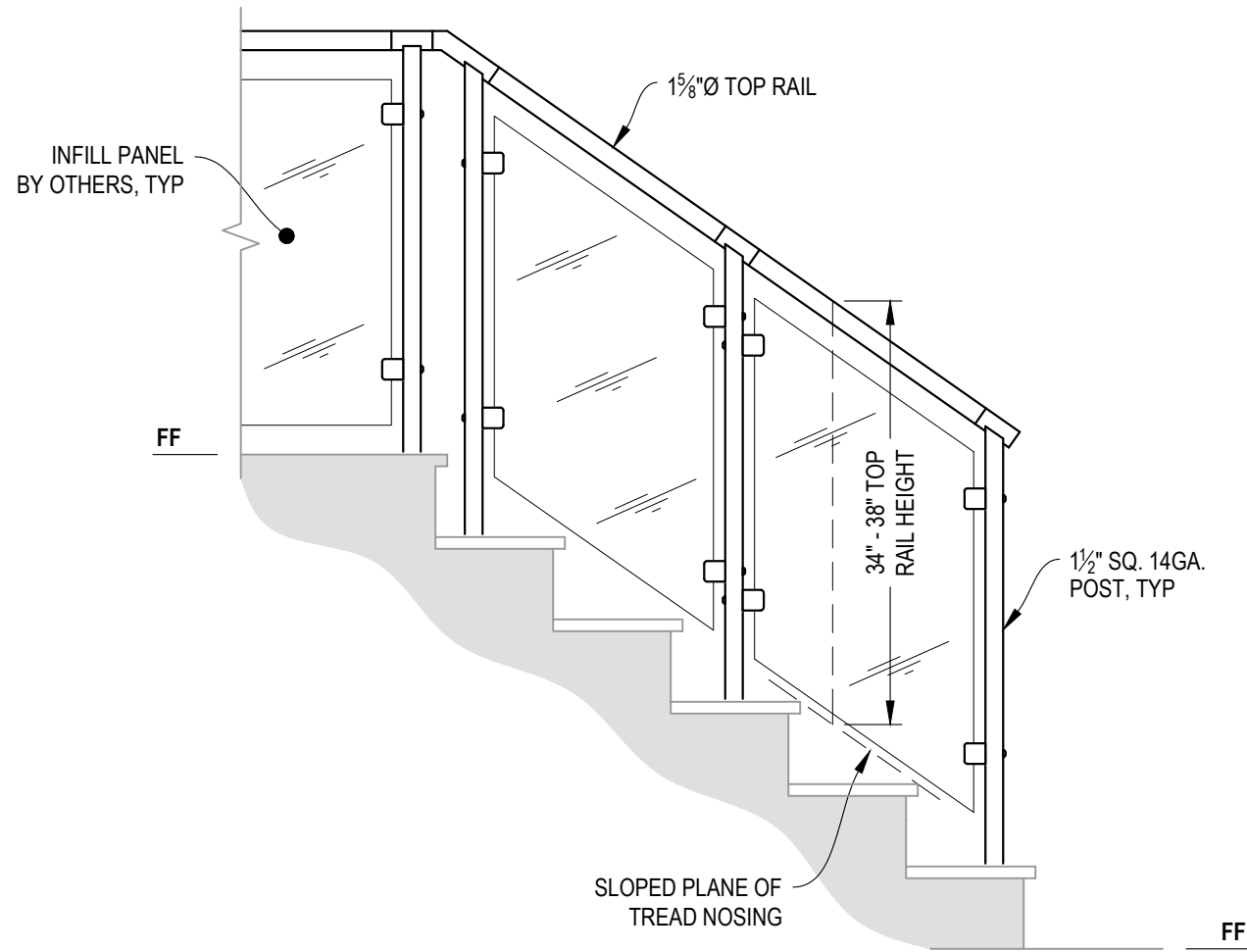
- DETAIL ID
- SHEET ID
- ELEVATION ID
- TOP MOUNT POST
- CENTERLINE
- FF** FINISHED FLOOR
- TYP TYPICAL CONDITION APPLIES ELSEWHERE AT SIMILAR CONDITIONS

**NOTES:**

1. DECK STRUCTURE CAN VARY GREATLY. IT IS THE RESPONSIBILITY OF THE CUSTOMER TO VERIFY THAT THE SUPPORTING STRUCTURE IS ADEQUATE TO MEET THE LOAD REQUIREMENTS OF THE GOVERNING BUILDING CODE(S). AGS Stainless Inc. RECOMMENDS CONSULTING A DESIGN OR CONSTRUCTION PROFESSIONAL TO ADDRESS THESE ISSUES.



**A** **TYPICAL RAILING CONDITION**  
ELEVATION



**A** STAIR  
ELEVATION

**NOTES:**

1. STAIR CONSTRUCTION VARIES GREATLY. AS-BUILT CONDITIONS MAY ALTER RAILING DESIGN, INCLUDING POST LOCATION & MOUNTING, INFILL SPACING, AND TOP RAIL LAYOUT.

7873 NEDAY ROAD  
BAINBRIDGE ISLAND, WA 98110  
PHONE - (888) 842-9492  
WWW.AGSSTAINLESS.COM



GLACIER SPECIFICATION DRAWING  
\*\* RESIDENTIAL \*\*

36" TOP MOUNT - ROUND TOP

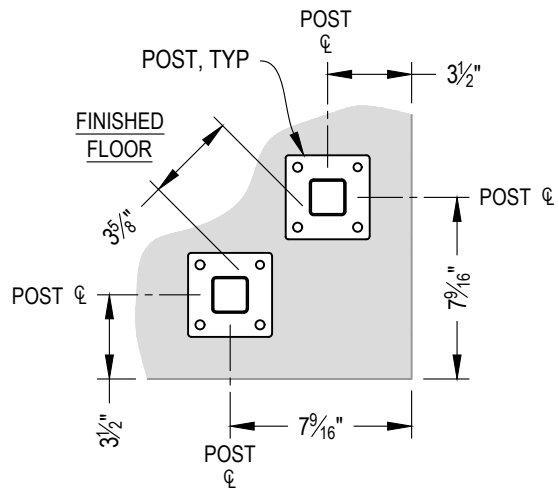
DWG #  
TM36R

SCALE  
NONE

DATE  
2026

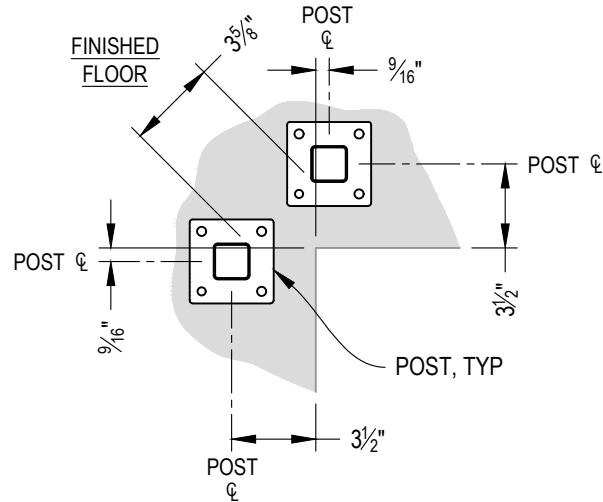
SHEET

**3** OF **5**



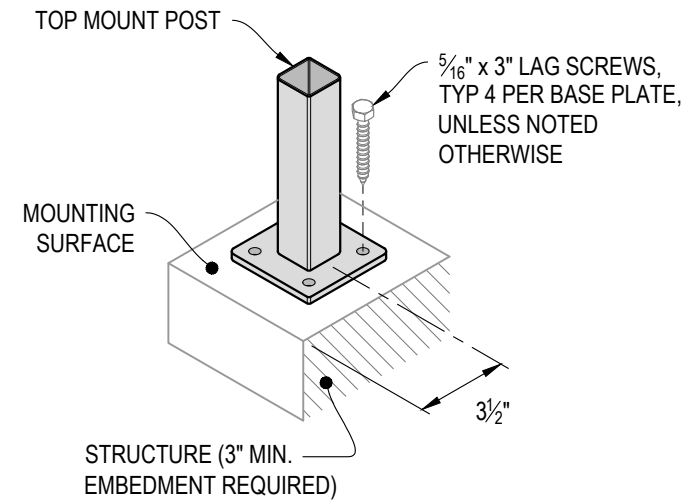
NOTE: 90° SHOWN, OTHER ANGLES SIMILAR

**A** TYPICAL 90° TOP MOUNT OUTSIDE CORNER  
DETAIL

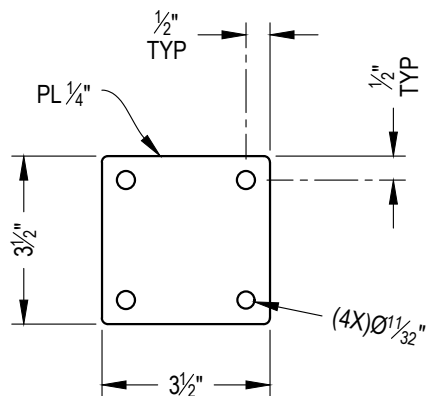


NOTE: 90° SHOWN, OTHER ANGLES SIMILAR

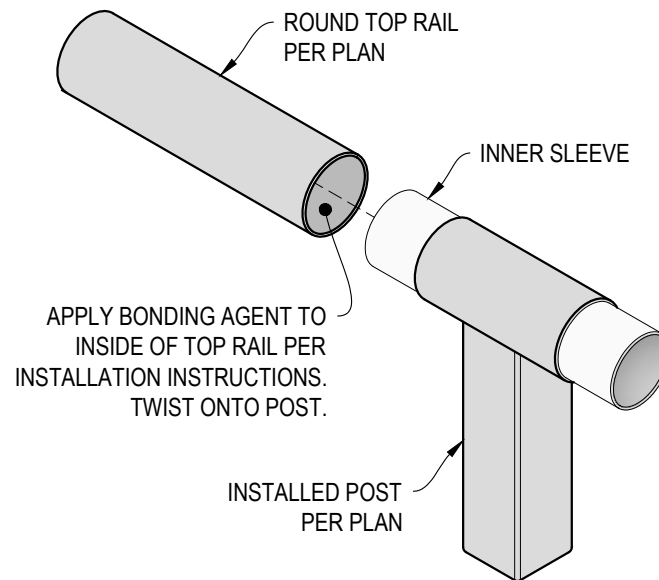
**B** TYPICAL 90° TOP MOUNT INSIDE CORNER  
DETAIL



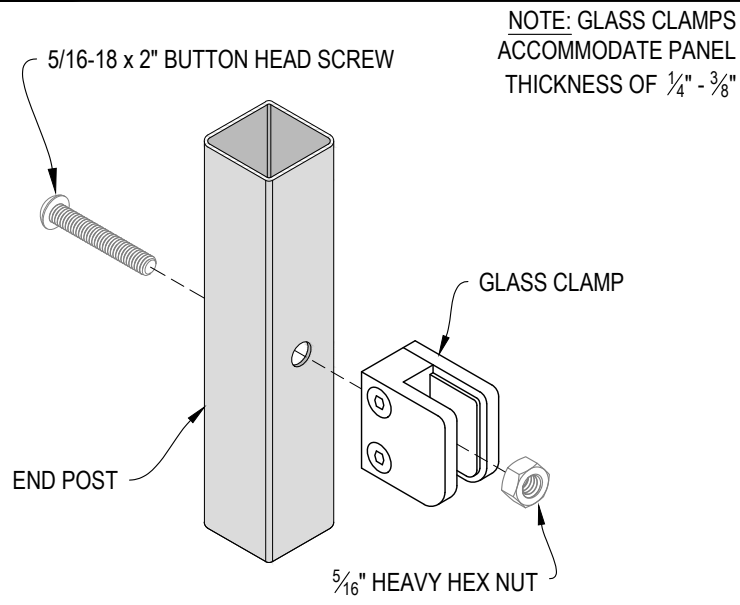
**C** TYPICAL POST MOUNTING - TOP MOUNT  
DETAIL



**D** TYPICAL BASE PLATE  
DETAIL

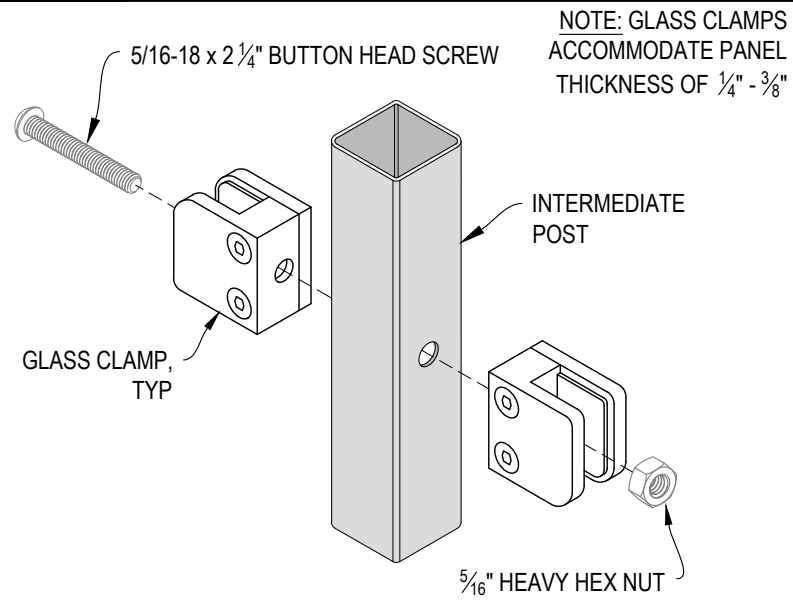


**E** TOP RAIL INSTALLATION - ROUND  
DETAIL



NOTE: GLASS CLAMPS ACCOMMODATE PANEL THICKNESS OF 1/4" - 3/8"

**A** END POST GLASS CLAMP INSTALLATION  
DETAIL



NOTE: GLASS CLAMPS ACCOMMODATE PANEL THICKNESS OF 1/4" - 3/8"

**B** INTERMEDIATE POST GLASS CLAMP INSTALLATION  
DETAIL