

1 **EXAMPLE POST LAYOUT**
PLAN VIEW

AGS Stainless Clearview® Railing Systems are designed to meet the requirements of the latest edition of the IRC/IBC.

NOTES:

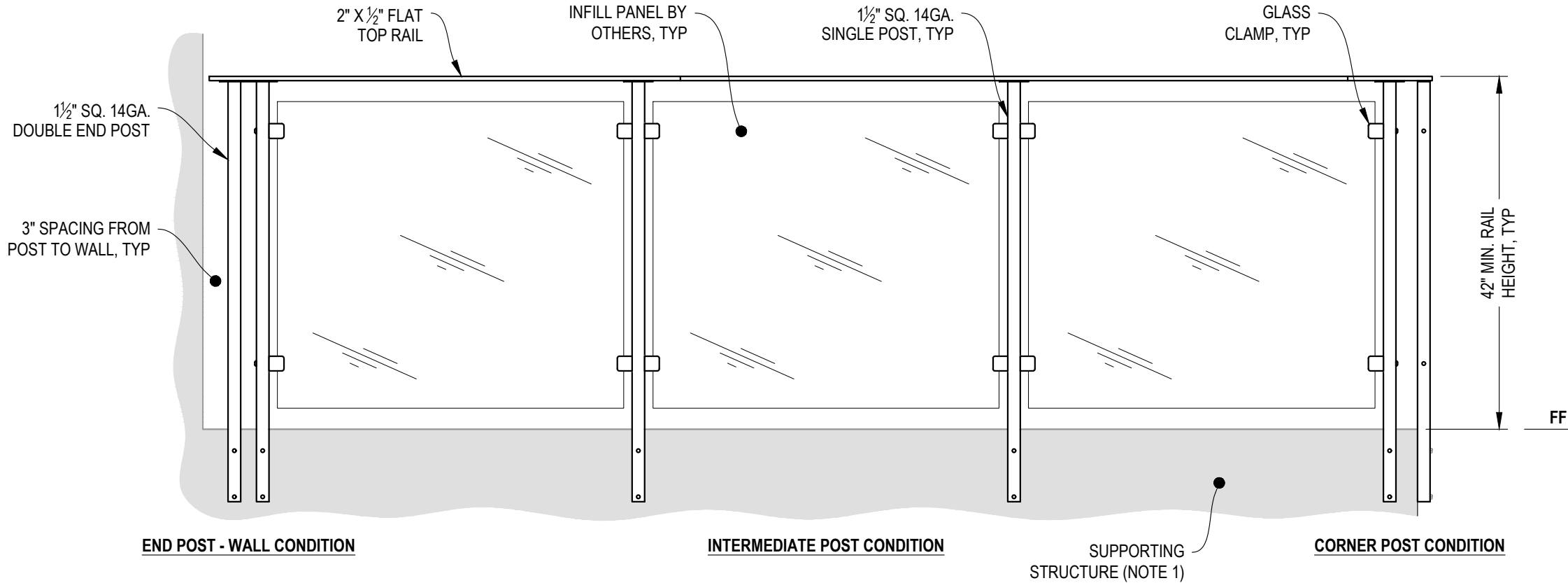
1. TOP RAIL NOT SHOWN FOR CLARITY.
2. ALL PARTS AND COMPONENTS MADE WITH 316 STAINLESS STEEL UNLESS NOTED OTHERWISE.

LEGEND

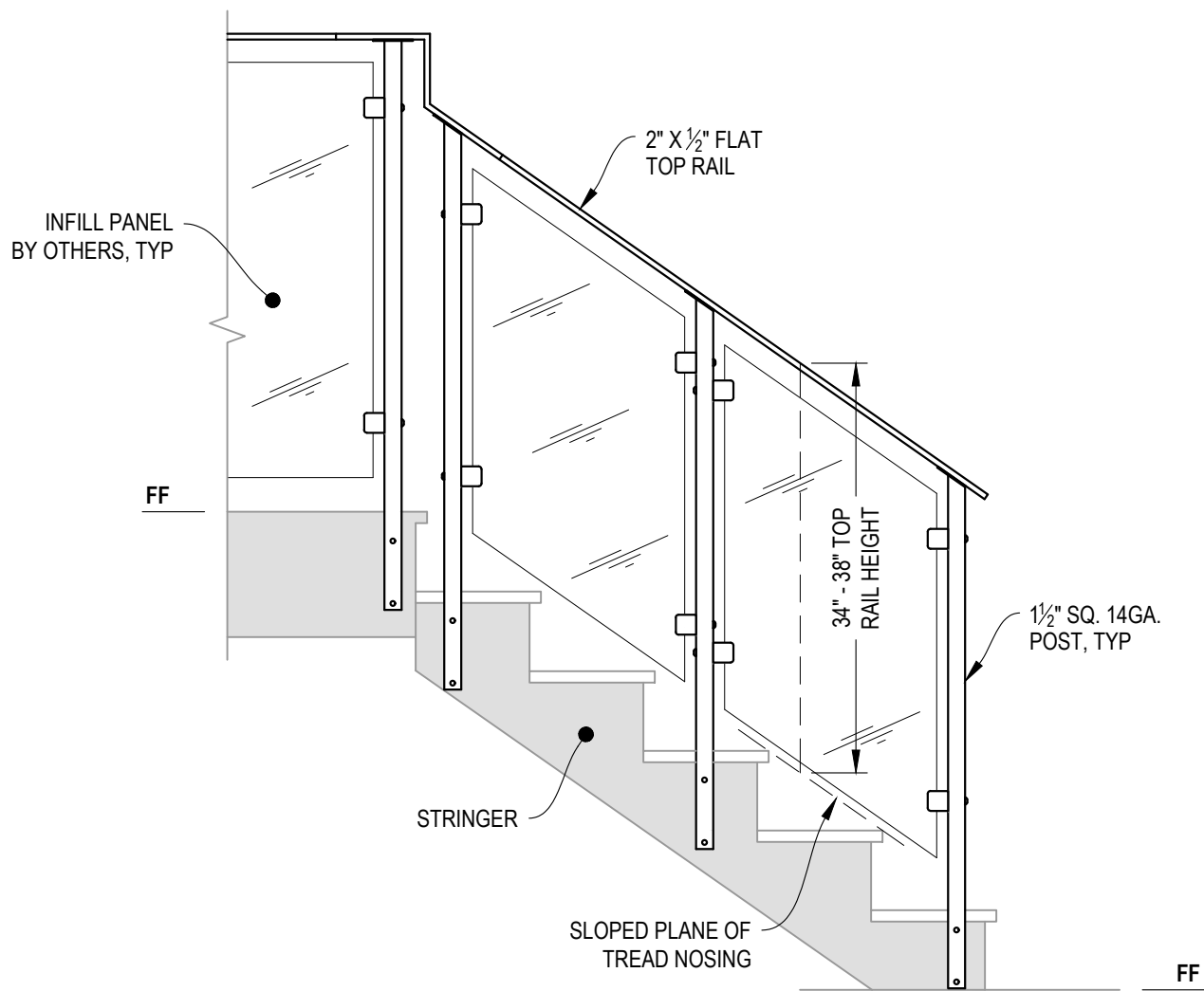
- DETAIL ID
- SHEET ID
- ELEVATION ID
- SHEET ID
- SIDE MOUNT POST
- SIDE MOUNT DOUBLE POST
- CENTERLINE
- FINISHED FLOOR
- TYP TYPICAL CONDITION APPLIES ELSEWHERE AT SIMILAR CONDITIONS

NOTES:

1. DECK STRUCTURE CAN VARY GREATLY. IT IS THE RESPONSIBILITY OF THE CUSTOMER TO VERIFY THAT THE SUPPORTING STRUCTURE IS ADEQUATE TO MEET THE LOAD REQUIREMENTS OF THE GOVERNING BUILDING CODE(S). AGS Stainless Inc. RECOMMENDS CONSULTING A DESIGN OR CONSTRUCTION PROFESSIONAL TO ADDRESS THESE ISSUES.



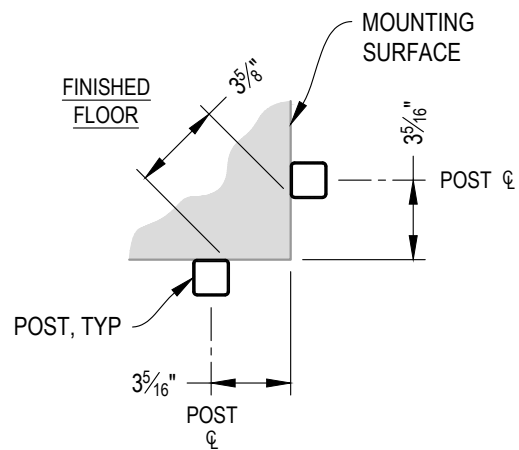
A **TYPICAL RAILING CONDITION**
ELEVATION



A STAIR
ELEVATION

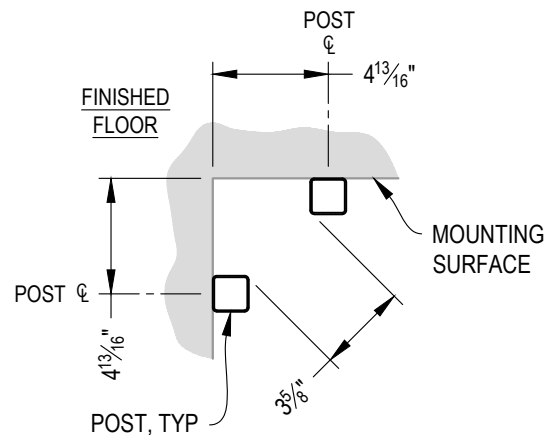
NOTES:

1. STAIR CONSTRUCTION VARIES GREATLY. AS-BUILT CONDITIONS MAY ALTER RAILING DESIGN, INCLUDING POST LOCATION & MOUNTING, INFILL SPACING, AND TOP RAIL LAYOUT.



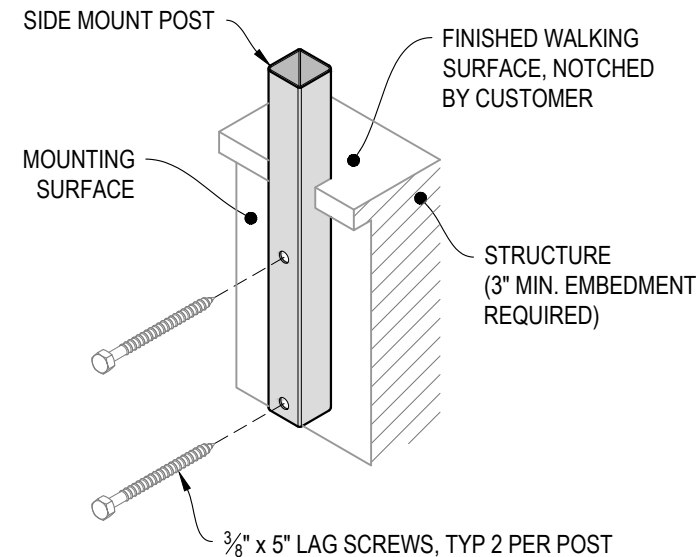
NOTE: 90° SHOWN, OTHER ANGLES SIMILAR

A TYPICAL 90° SIDE MOUNT OUTSIDE CORNER
DETAIL



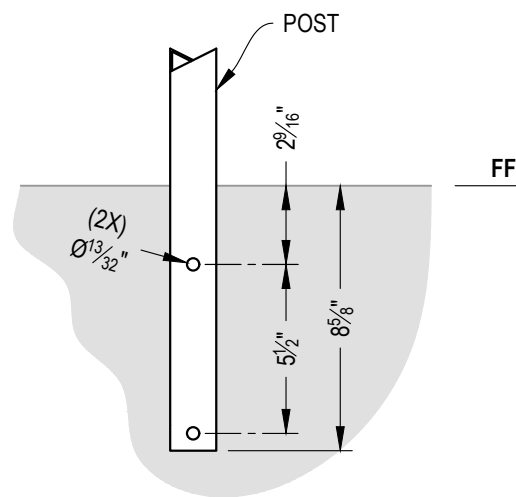
NOTE: 90° SHOWN, OTHER ANGLES SIMILAR

B TYPICAL 90° SIDE MOUNT INSIDE CORNER
DETAIL

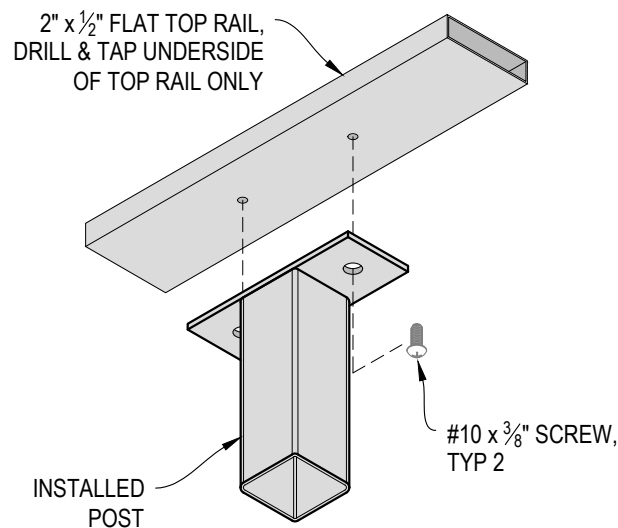


C TYPICAL POST MOUNTING - SIDE MOUNT
DETAIL

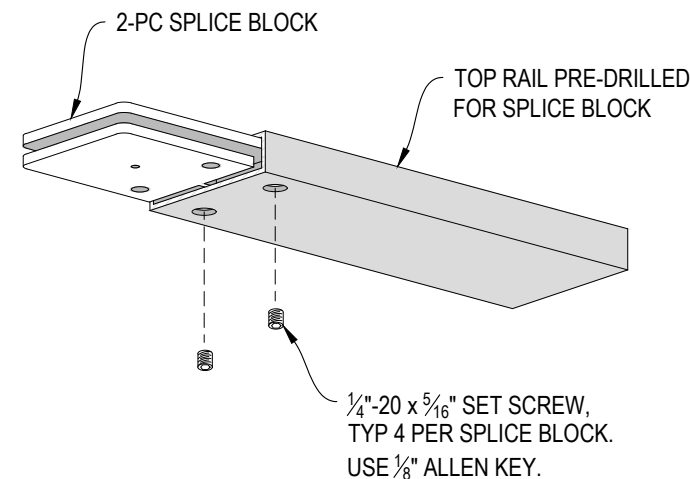
3/8" x 5" LAG SCREWS, TYP 2 PER POST



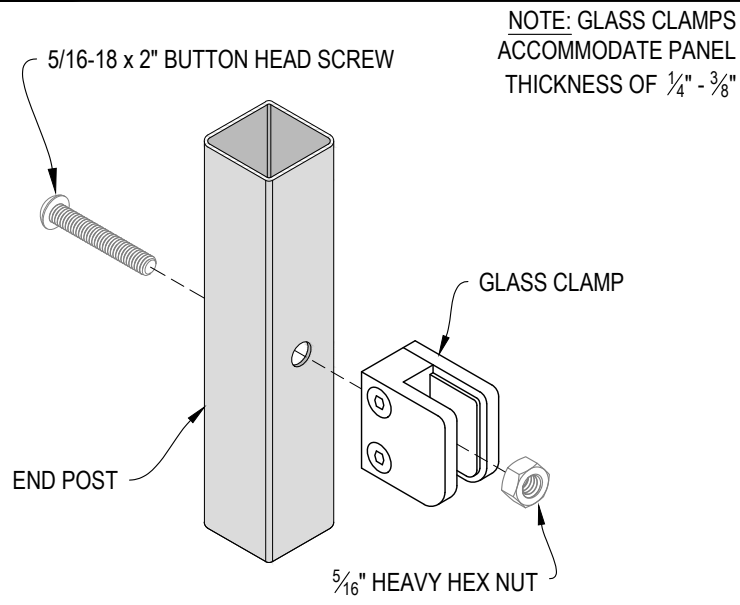
D TYPICAL POST MOUNTING - SIDE MOUNT
DETAIL



E TOP RAIL INSTALLATION - FLAT
DETAIL

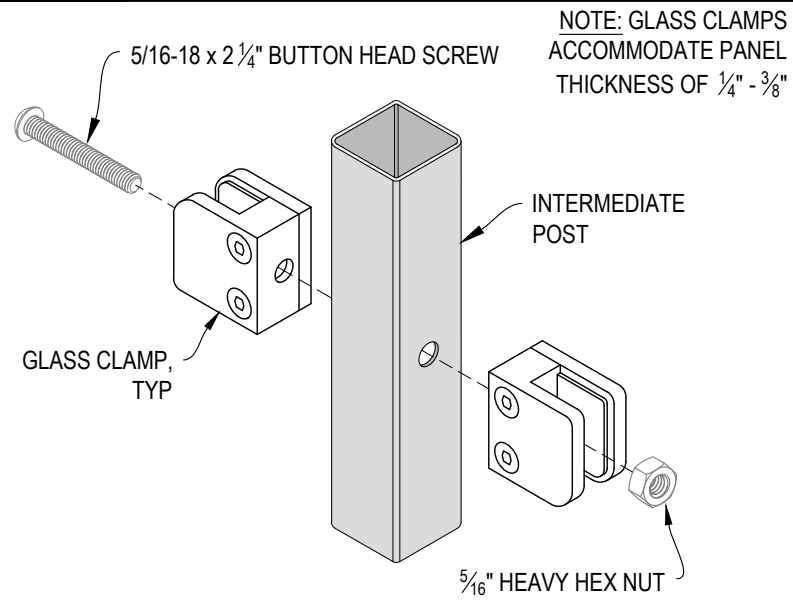


F SPLICE BLOCK ASSEMBLY - FLAT
DETAIL



NOTE: GLASS CLAMPS ACCOMMODATE PANEL THICKNESS OF 1/4" - 3/8"

A END POST GLASS CLAMP INSTALLATION
DETAIL



NOTE: GLASS CLAMPS ACCOMMODATE PANEL THICKNESS OF 1/4" - 3/8"

B INTERMEDIATE POST GLASS CLAMP INSTALLATION
DETAIL