

**1** EXAMPLE POST LAYOUT  
PLAN VIEW

**NOTES:**

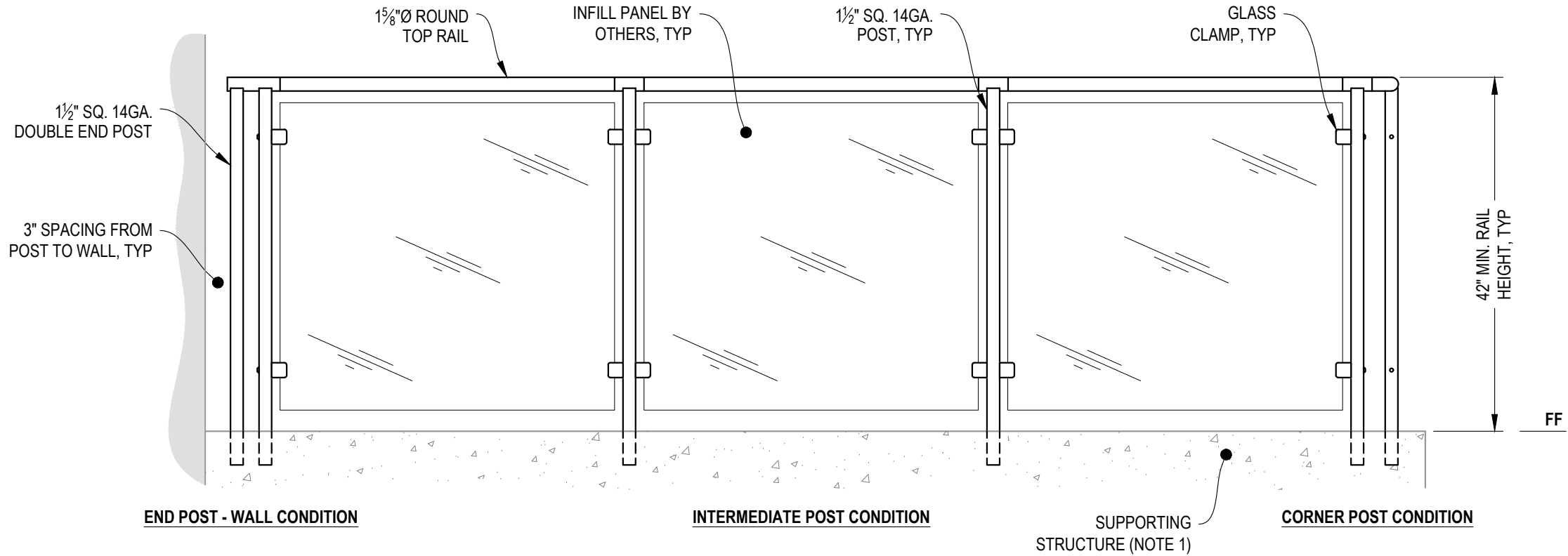
1. TOP RAIL NOT SHOWN FOR CLARITY.
2. ALL PARTS AND COMPONENTS MADE WITH 316 STAINLESS STEEL UNLESS NOTED OTHERWISE.

**LEGEND**

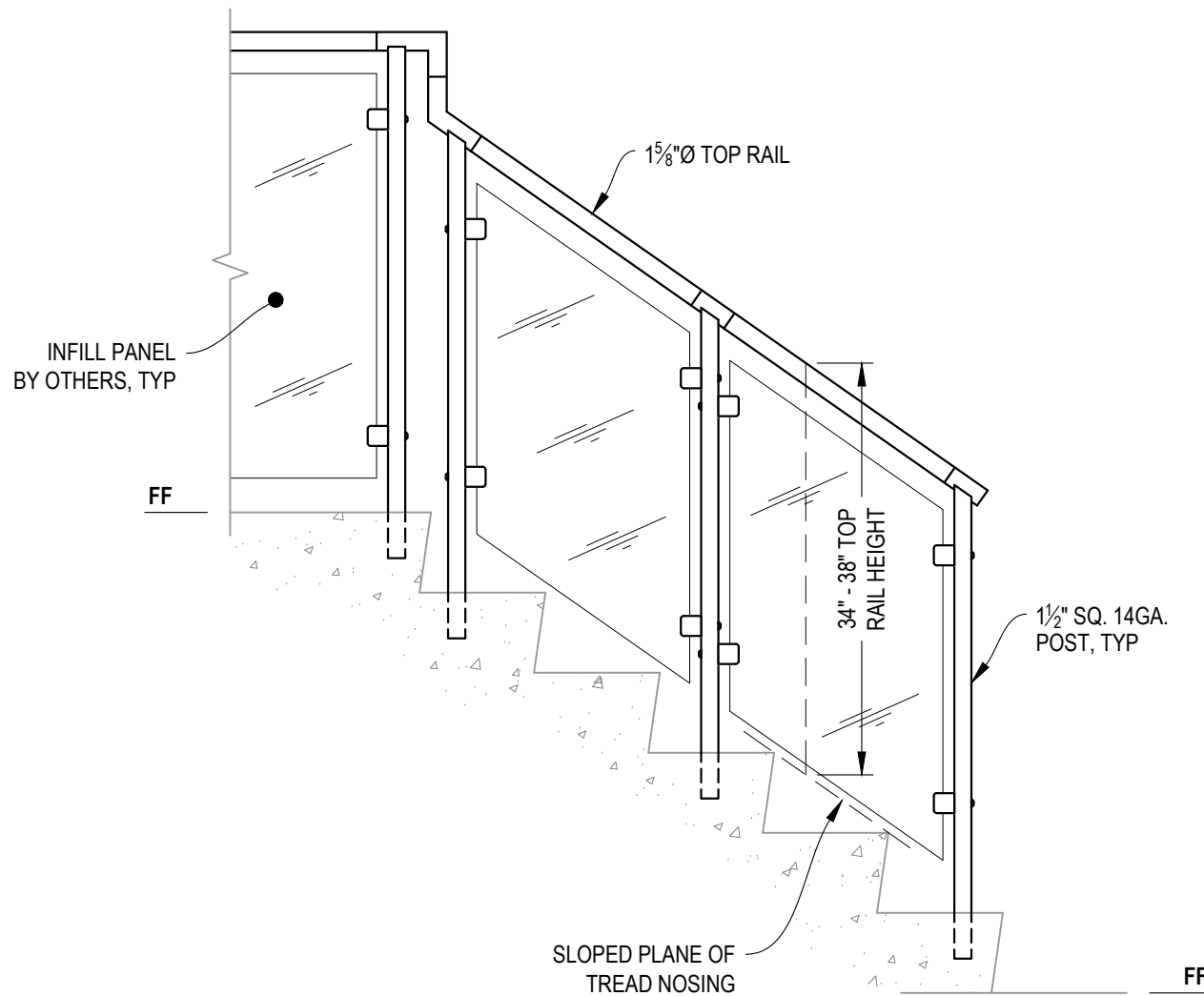
- DETAIL ID
- SHEET ID
- ELEVATION ID
- SHEET ID
- CORE DRILL POST
- CORE DRILL DOUBLE POST
- CENTERLINE
- FF** FINISHED FLOOR
- TYP TYPICAL CONDITION APPLIES ELSEWHERE AT SIMILAR CONDITIONS

**NOTES:**

1. DECK STRUCTURE CAN VARY GREATLY. IT IS THE RESPONSIBILITY OF THE CUSTOMER TO VERIFY THAT THE SUPPORTING STRUCTURE IS ADEQUATE TO MEET THE LOAD REQUIREMENTS OF THE GOVERNING BUILDING CODE(S). *AGS Stainless Inc.* RECOMMENDS CONSULTING A DESIGN OR CONSTRUCTION PROFESSIONAL TO ADDRESS THESE ISSUES.



**A** **TYPICAL RAILING CONDITION**  
ELEVATION



**A** STAIR  
ELEVATION

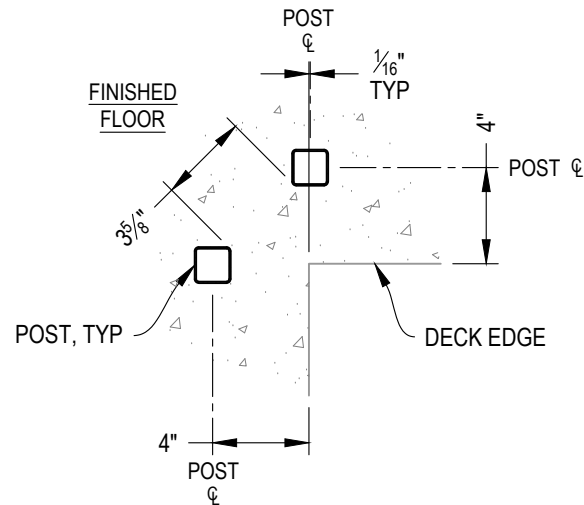
**NOTES:**

1. STAIR CONSTRUCTION VARIES GREATLY. AS-BUILT CONDITIONS MAY ALTER RAILING DESIGN, INCLUDING POST LOCATION & MOUNTING, INFILL SPACING, AND TOP RAIL LAYOUT.



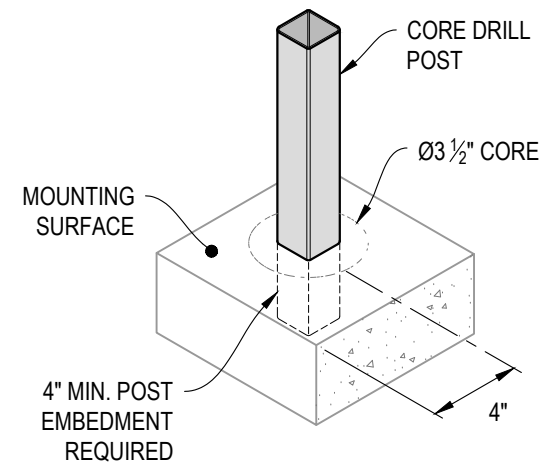
NOTE: 90° SHOWN, OTHER ANGLES SIMILAR

**A** TYPICAL 90° TOP MOUNT OUTSIDE CORNER  
DETAIL



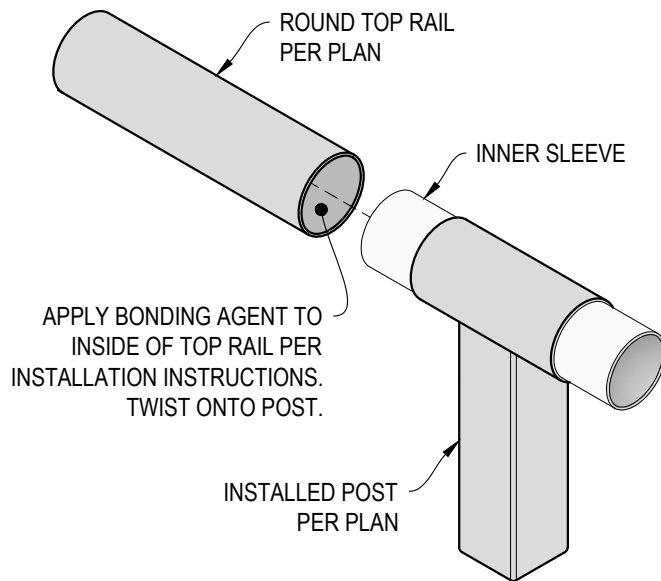
NOTE: 90° SHOWN, OTHER ANGLES SIMILAR

**B** TYPICAL 90° TOP MOUNT INSIDE CORNER  
DETAIL

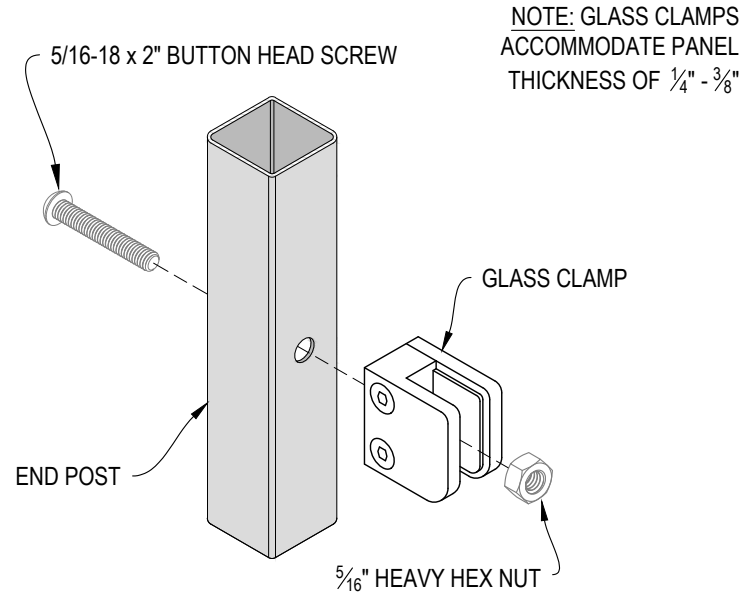


4" MIN. POST  
EMBEDMENT  
REQUIRED

**C** TYPICAL POST MOUNTING - CORE DRILL  
DETAIL

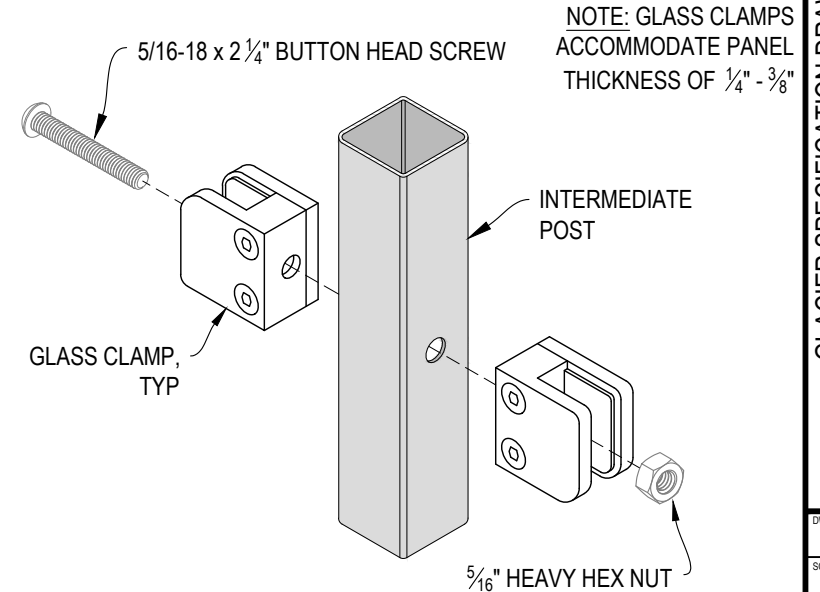


**D** TOP RAIL INSTALLATION - ROUND  
DETAIL



NOTE: GLASS CLAMPS  
ACCOMMODATE PANEL  
THICKNESS OF 1/4" - 3/8"

**E** END POST GLASS CLAMP INSTALLATION  
DETAIL



NOTE: GLASS CLAMPS  
ACCOMMODATE PANEL  
THICKNESS OF 1/4" - 3/8"

**F** INTERMEDIATE POST GLASS CLAMP INSTALLATION  
DETAIL