

1 **EXAMPLE POST LAYOUT**
PLAN VIEW

NOTES:

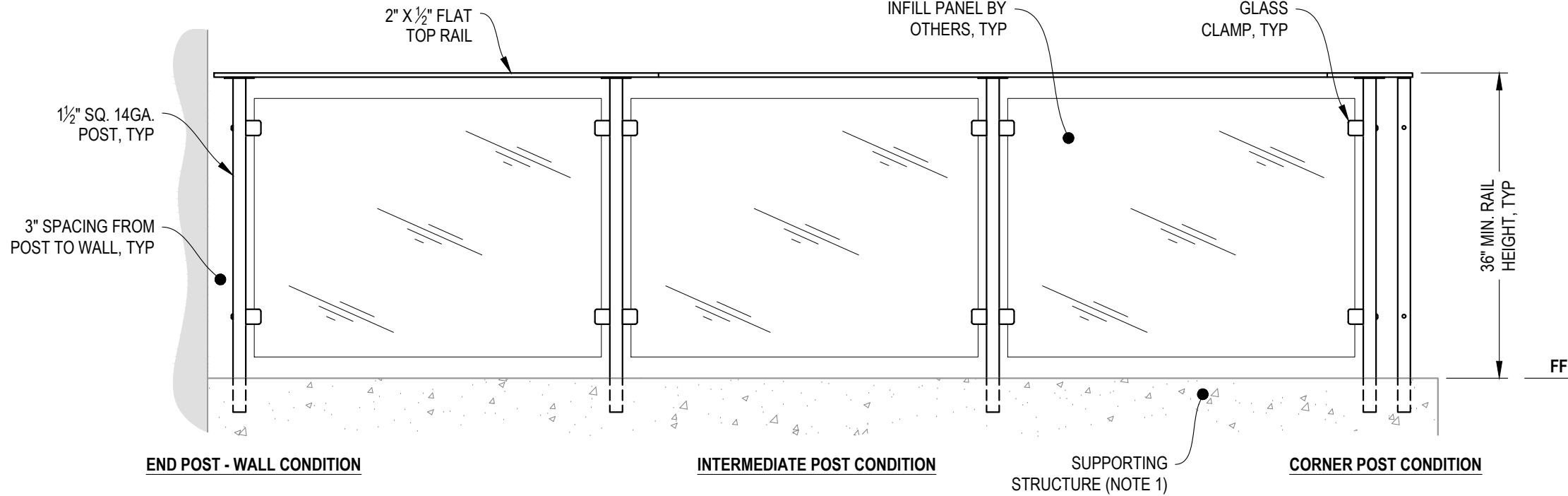
1. TOP RAIL NOT SHOWN FOR CLARITY.
2. ALL PARTS AND COMPONENTS MADE WITH 316 STAINLESS STEEL UNLESS NOTED OTHERWISE.

LEGEND

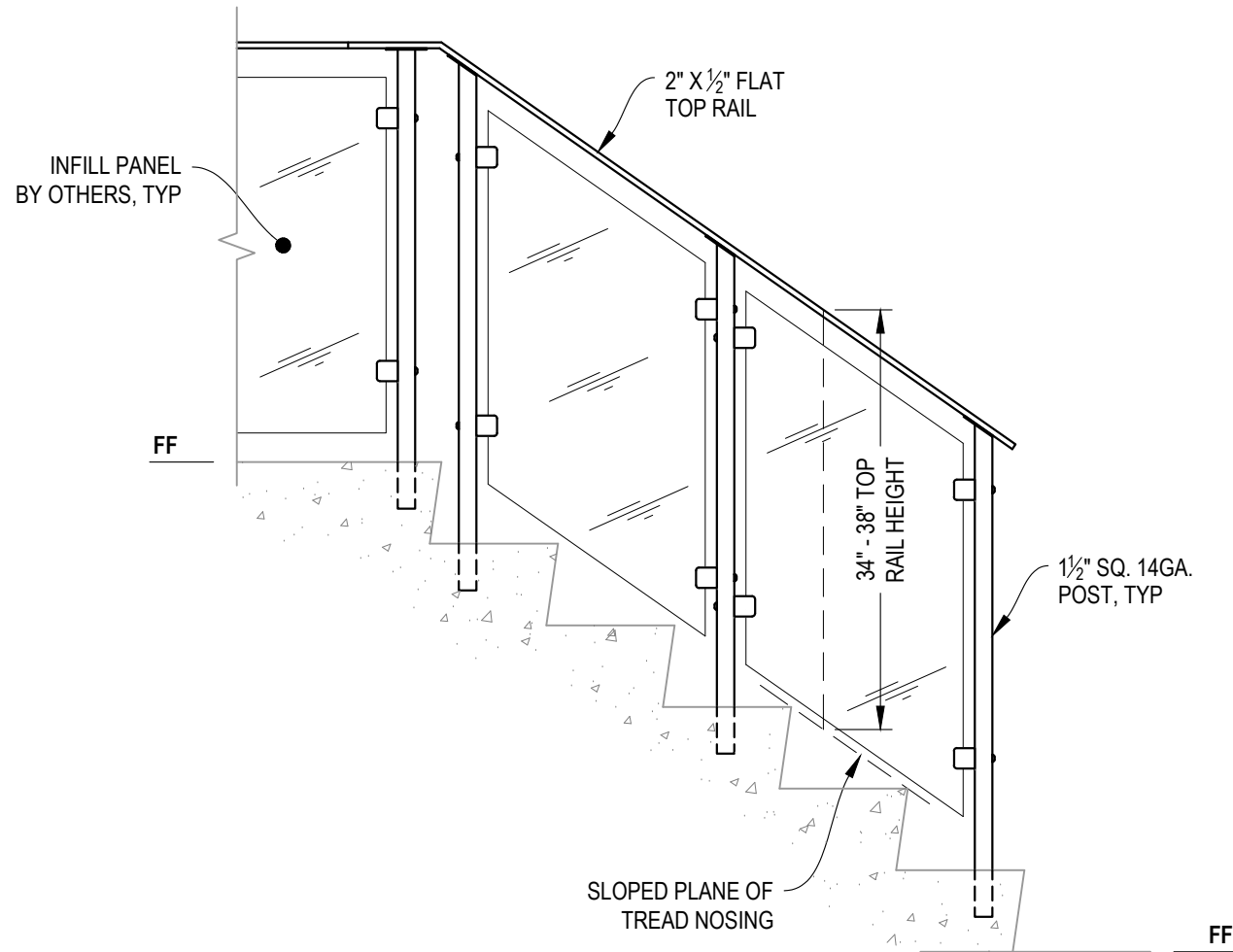
- DETAIL ID
- SHEET ID
- ELEVATION ID
- SHEET ID
- CORE DRILL POST
- CENTERLINE
- FF** FINISHED FLOOR
- TYP TYPICAL CONDITION APPLIES ELSEWHERE AT SIMILAR CONDITIONS

NOTES:

1. DECK STRUCTURE CAN VARY GREATLY. IT IS THE RESPONSIBILITY OF THE CUSTOMER TO VERIFY THAT THE SUPPORTING STRUCTURE IS ADEQUATE TO MEET THE LOAD REQUIREMENTS OF THE GOVERNING BUILDING CODE(S). *AGS Stainless Inc.* RECOMMENDS CONSULTING A DESIGN OR CONSTRUCTION PROFESSIONAL TO ADDRESS THESE ISSUES.



A TYPICAL RAILING CONDITION
ELEVATION



A STAIR
ELEVATION

NOTES:

1. STAIR CONSTRUCTION VARIES GREATLY. AS-BUILT CONDITIONS MAY ALTER RAILING DESIGN, INCLUDING POST LOCATION & MOUNTING, INFILL SPACING, AND TOP RAIL LAYOUT.



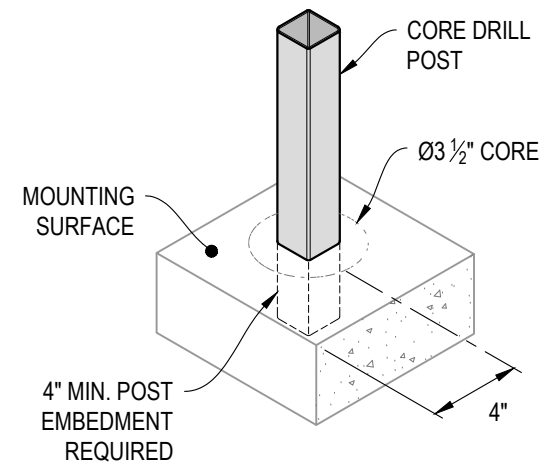
NOTE: 90° SHOWN, OTHER ANGLES SIMILAR

A TYPICAL 90° TOP MOUNT OUTSIDE CORNER
DETAIL



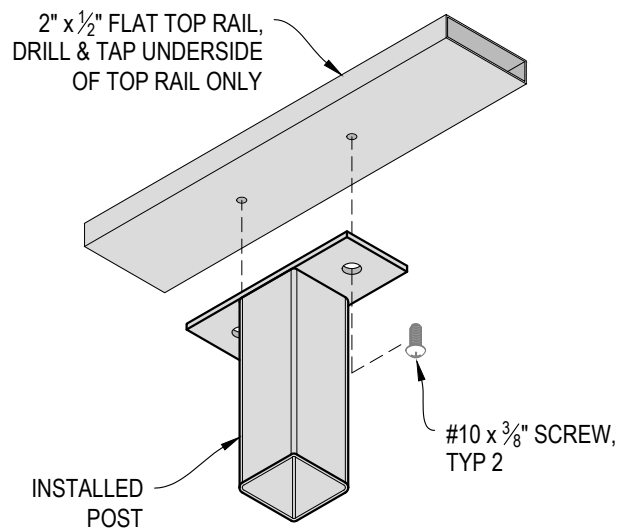
NOTE: 90° SHOWN, OTHER ANGLES SIMILAR

B TYPICAL 90° TOP MOUNT INSIDE CORNER
DETAIL

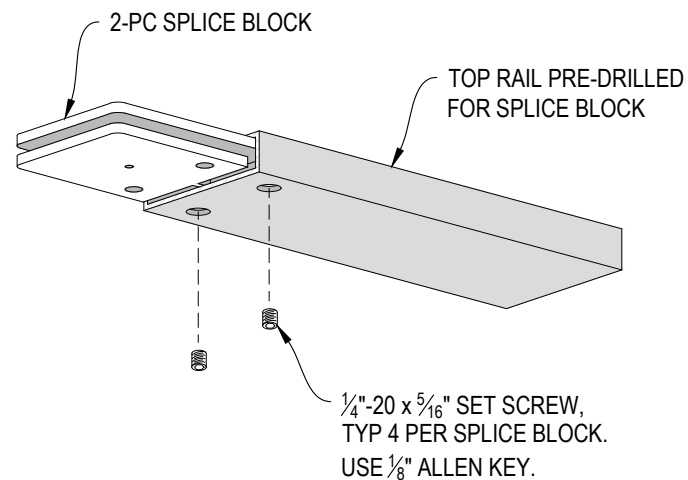


4" MIN. POST
EMBEDMENT
REQUIRED

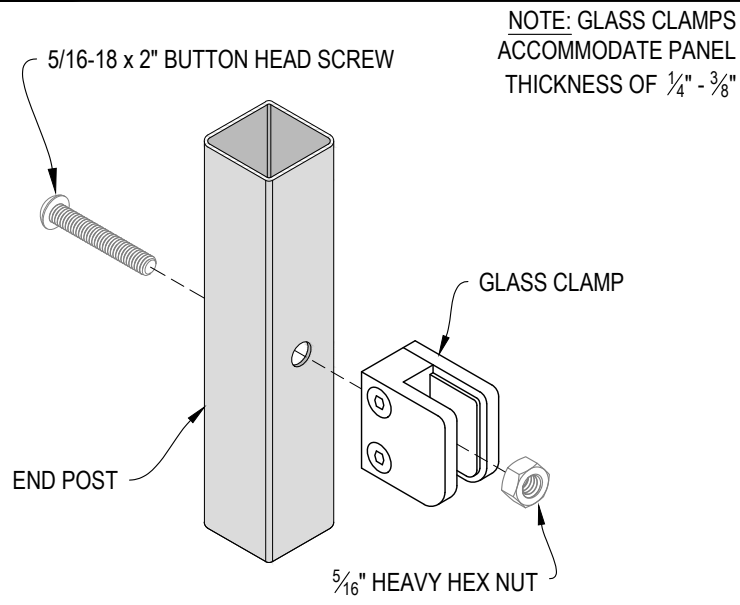
C TYPICAL POST MOUNTING - CORE DRILL
DETAIL



D TOP RAIL INSTALLATION - FLAT
DETAIL

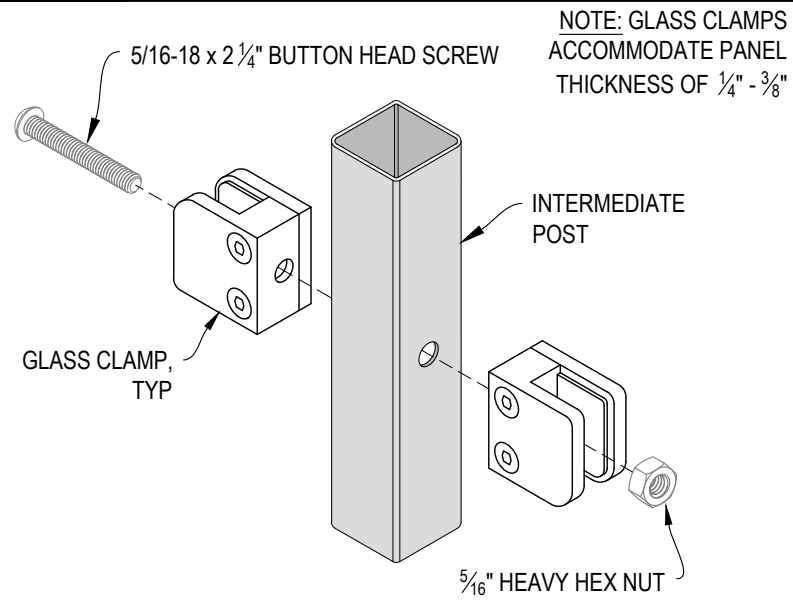


E SPLICE BLOCK ASSEMBLY - FLAT
DETAIL



NOTE: GLASS CLAMPS ACCOMMODATE PANEL THICKNESS OF 1/4" - 3/8"

A END POST GLASS CLAMP INSTALLATION
DETAIL



NOTE: GLASS CLAMPS ACCOMMODATE PANEL THICKNESS OF 1/4" - 3/8"

B INTERMEDIATE POST GLASS CLAMP INSTALLATION
DETAIL