

1 **EXAMPLE POST LAYOUT**
PLAN VIEW

AGS Stainless Clearview® Railing Systems are designed to meet the requirements of the latest edition of the IRC/IBC.

NOTES:

1. TOP RAIL NOT SHOWN FOR CLARITY.
2. ALL PARTS AND COMPONENTS MADE WITH 316 STAINLESS STEEL UNLESS NOTED OTHERWISE.

LEGEND

- DETAIL ID
- SHEET ID
- ELEVATION ID
- SHEET ID
- TOP MOUNT POST
- TOP MOUNT DOUBLE POST
- CENTERLINE
- FINISHED FLOOR
- TYP TYPICAL CONDITION APPLIES ELSEWHERE AT SIMILAR CONDITIONS

7873 NE DAY ROAD
BAINBRIDGE ISLAND, WA 98110
PHONE - (888) 842-9492
WWW.AGSSTAINLESS.COM

AGS stainless
CLEARVIEW® Railing Systems

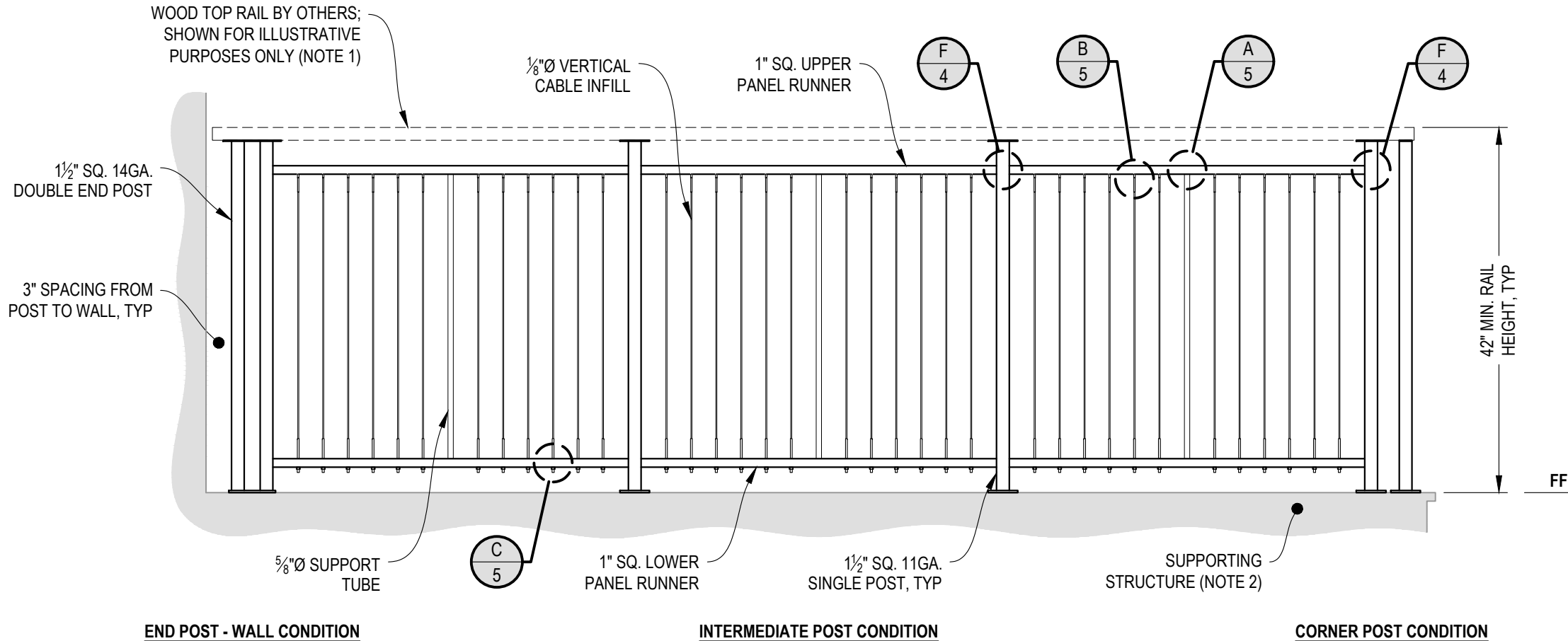
VERTICAL RAINIER SPECIFICATION DRAWING
** COMMERCIAL **

42" TOP MOUNT - WOOD TOP

DWG #	TM42WC
SCALE	NONE
DATE	2026
SHEET	1 OF 5

NOTES:

1. TOP RAIL SHOULD BE SELECTED SO THAT ALL GOVERNING CODE REQUIREMENTS ARE SATISFIED. THESE INCLUDE SHAPE, STRENGTH AND RAILING HEIGHT.
2. DECK STRUCTURE CAN VARY GREATLY. IT IS THE RESPONSIBILITY OF THE CUSTOMER TO VERIFY THAT THE SUPPORTING STRUCTURE IS ADEQUATE TO MEET THE LOAD REQUIREMENTS OF THE GOVERNING BUILDING CODE(S). *AGS Stainless Inc.* RECOMMENDS CONSULTING A DESIGN OR CONSTRUCTION PROFESSIONAL TO ADDRESS THESE ISSUES.



A TYPICAL RAILING CONDITION ELEVATION

VERTICAL RAINER SPECIFICATION DRAWING
** COMMERCIAL **

42" TOP MOUNT - WOOD TOP

DWG # TM42WC
SCALE NONE
DATE 2026
SHEET

WOOD TOP RAIL & HANDRAIL BY OTHERS; SHOWN FOR ILLUSTRATIVE PURPOSES ONLY (NOTE 1)

HANDRAIL POST BRACKET, TYP

42" MIN. TOP RAIL HEIGHT

1 1/2" SQ. 11GA. SINGLE POST, TYP

34" - 38" HANDRAIL HEIGHT

1 1/2" SQ. 14GA. DOUBLE END POST

VERTICAL RAINER PANEL ASSEMBLY, TYP

FF

12" HANDRAIL EXTENSION

SLOPED PLANE OF TREAD NOSING, TYP

FF

ONE TREAD LENGTH MIN.

A STAIR ELEVATION

NOTES:

1. TOP RAIL SHOULD BE SELECTED SO THAT ALL GOVERNING CODE REQUIREMENTS ARE SATISFIED. THESE INCLUDE SHAPE, STRENGTH, AND RAILING HEIGHT.
2. STAIR CONSTRUCTION VARIES GREATLY. AS-BUILT CONDITIONS MAY ALTER RAILING DESIGN, INCLUDING POST LOCATION & MOUNTING, INFILL SPACING, AND TOP RAIL LAYOUT.

7873 NE DAY ROAD
BAINBRIDGE ISLAND, WA 98110
PHONE - (888) 842-9492
WWW.AGSSTAINLESS.COM

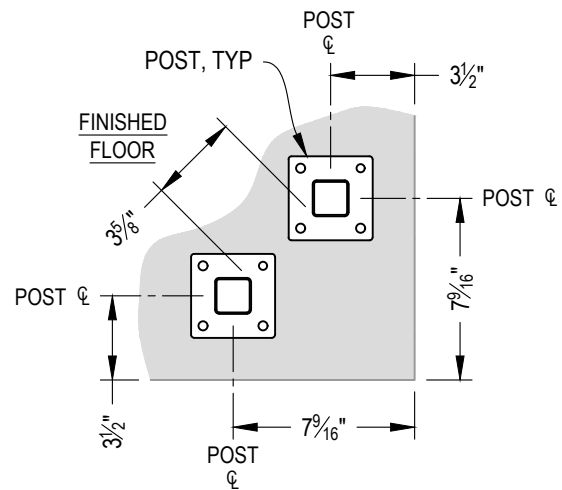


VERTICAL RAINER SPECIFICATION DRAWING
** COMMERCIAL **

42" TOP MOUNT - WOOD TOP

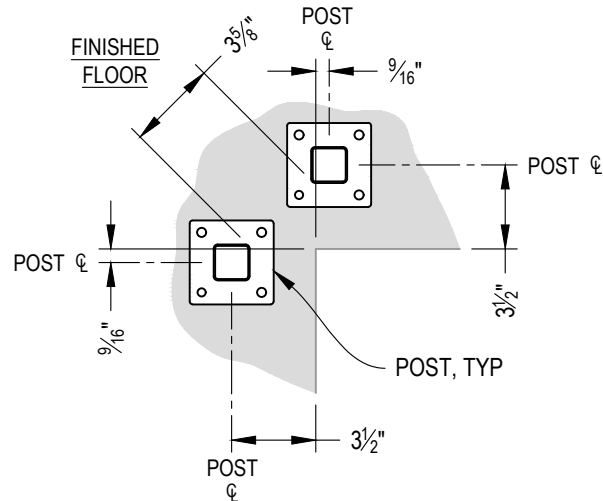
DWG #	TM42WC
SCALE	NONE
DATE	2026
SHEET	

3 OF **5**



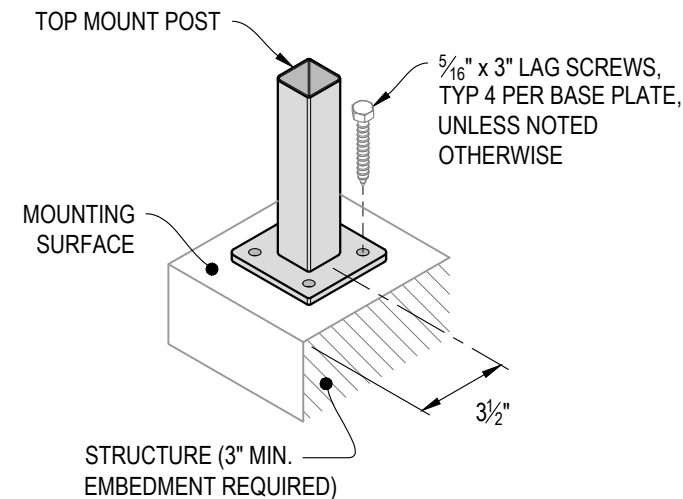
NOTE: 90° SHOWN, OTHER ANGLES SIMILAR

A TYPICAL 90° TOP MOUNT OUTSIDE CORNER
DETAIL



NOTE: 90° SHOWN, OTHER ANGLES SIMILAR

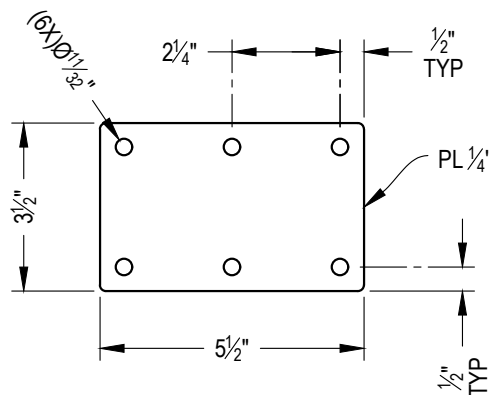
B TYPICAL 90° TOP MOUNT INSIDE CORNER
DETAIL



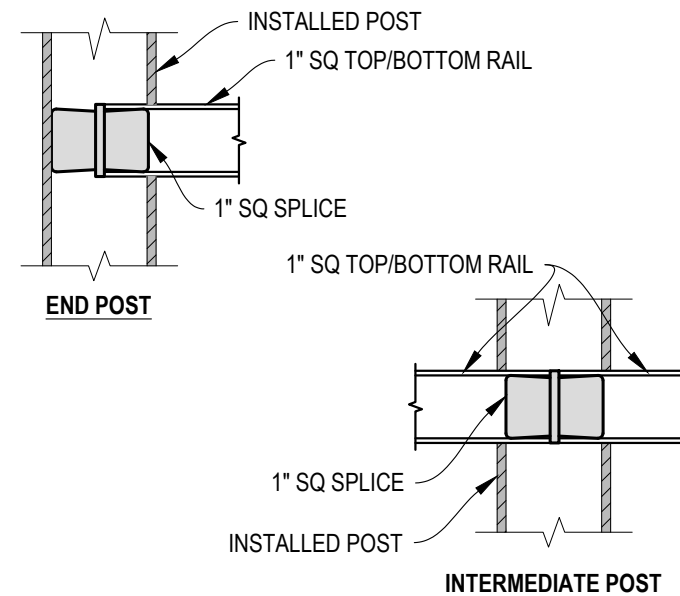
C TYPICAL POST MOUNTING - TOP MOUNT
DETAIL



D TYPICAL BASE PLATE
DETAIL



E TYPICAL DOUBLE BASE PLATE
DETAIL



F FITTING INSTALLATION - VERTICAL PANEL RAIL SPLICE
DETAIL

VERTICAL RAINIER SPECIFICATION DRAWING

** COMMERCIAL **

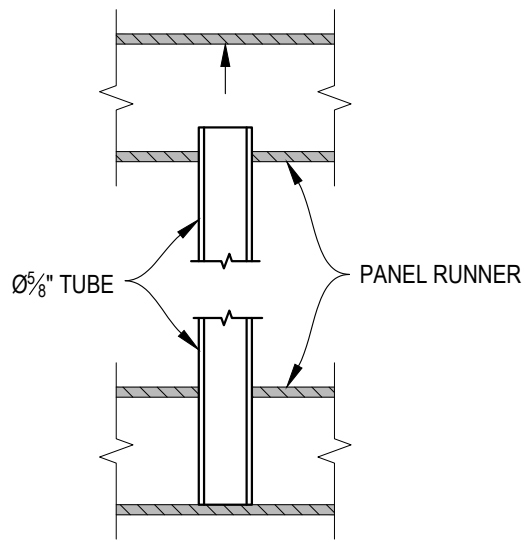
42" TOP MOUNT - WOOD TOP

DWG # TM42WC
SCALE NONE
DATE 2026
SHEET

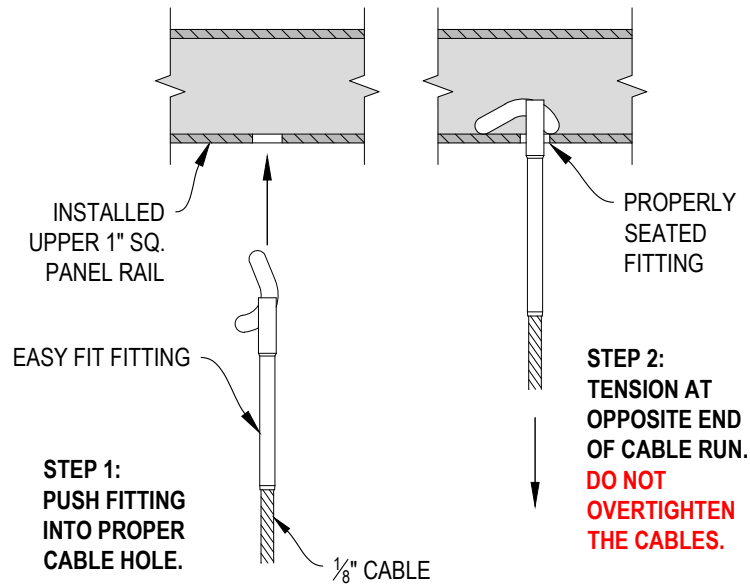
4 OF 5

AGS stainless
CLEARVIEW® Railing Systems

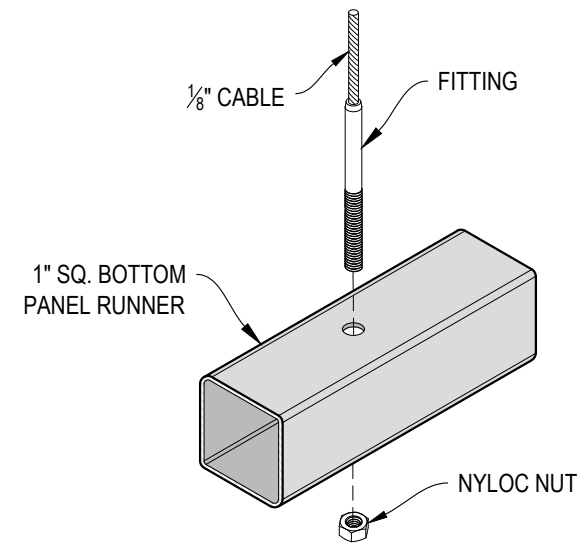
7873 NEDAY ROAD
BAINBRIDGE ISLAND, WA 98110
PHONE - (888) 842-9492
WWW.AGSSTAINLESS.COM



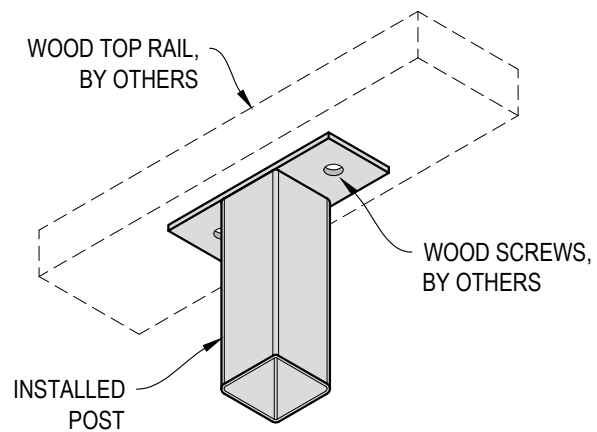
A PANEL SUPPORT TUBE INSTALLATION
DETAIL



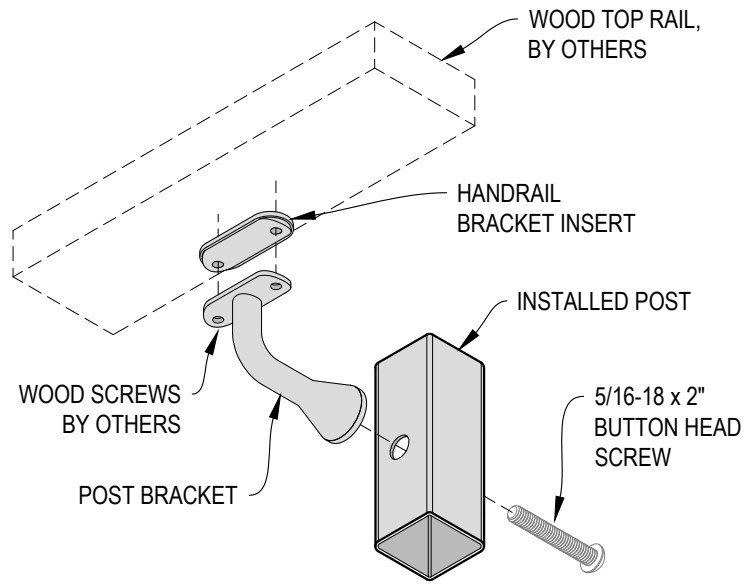
B FITTING INSTALLATION - EASY FIT
DETAIL



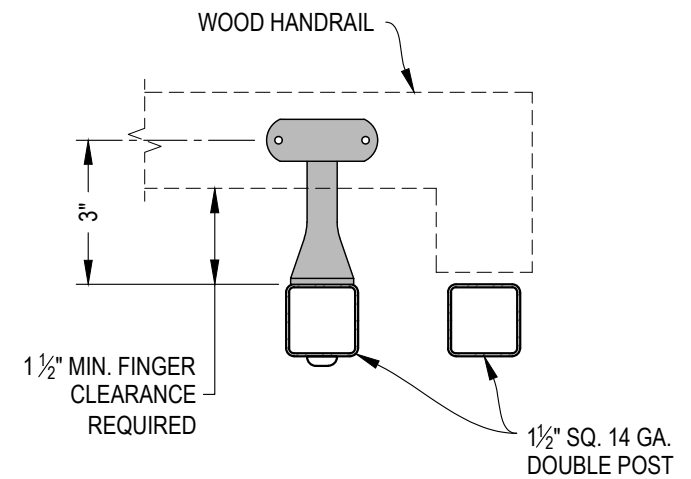
C FITTING INSTALLATION - STANDARD
DETAIL



D TOP RAIL INSTALLATION - WOOD
DETAIL



E HANDRAIL POST BRACKET INSTALLATION - WOOD
DETAIL



F TYPICAL HANDRAIL RETURN - WOOD
DETAIL

NOTE: VIEW MAY BE MIRRORED