

1 EXAMPLE POST LAYOUT
PLAN VIEW

AGS Stainless Clearview® Railing Systems are designed to meet the requirements of the latest edition of the IRC/IBC.

NOTES:

1. TOP RAIL NOT SHOWN FOR CLARITY.
2. ALL PARTS AND COMPONENTS MADE WITH 316 STAINLESS STEEL UNLESS NOTED OTHERWISE.

LEGEND

- DETAIL ID
- SHEET ID
- ELEVATION ID
- SHEET ID
- SIDE MOUNT POST
- SIDE MOUNT DOUBLE POST
- CENTERLINE
- FF** FINISHED FLOOR
- TYP TYPICAL CONDITION APPLIES ELSEWHERE AT SIMILAR CONDITIONS

7873 NE DAY ROAD
BAINBRIDGE ISLAND, WA 98110
PHONE - (888) 842-9492
WWW.AGSSTAINLESS.COM

AGS stainless
CLEARVIEW® Railing Systems

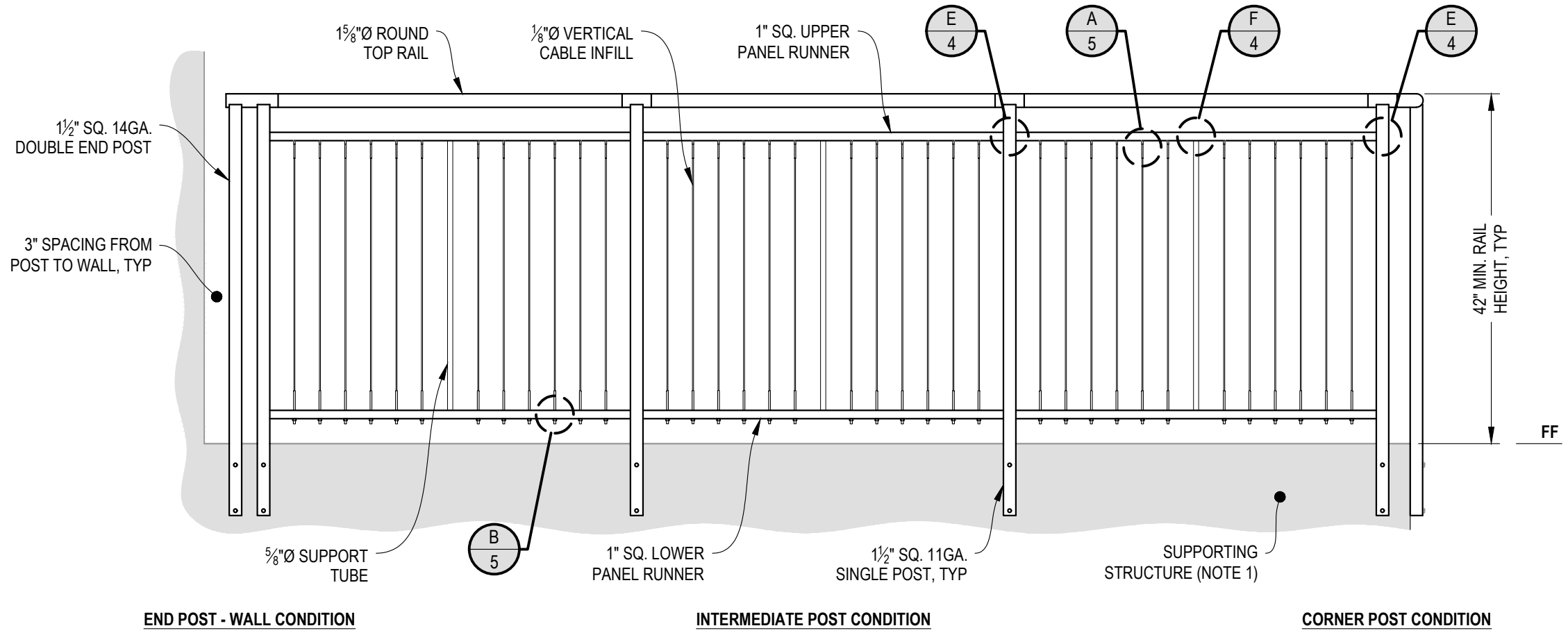
VERTICAL RAINIER SPECIFICATION DRAWING
** COMMERCIAL **

42" SIDE MOUNT - ROUND TOP

DWG #	SM42RC
SCALE	NONE
DATE	2026
SHEET	1 OF 5

NOTES:

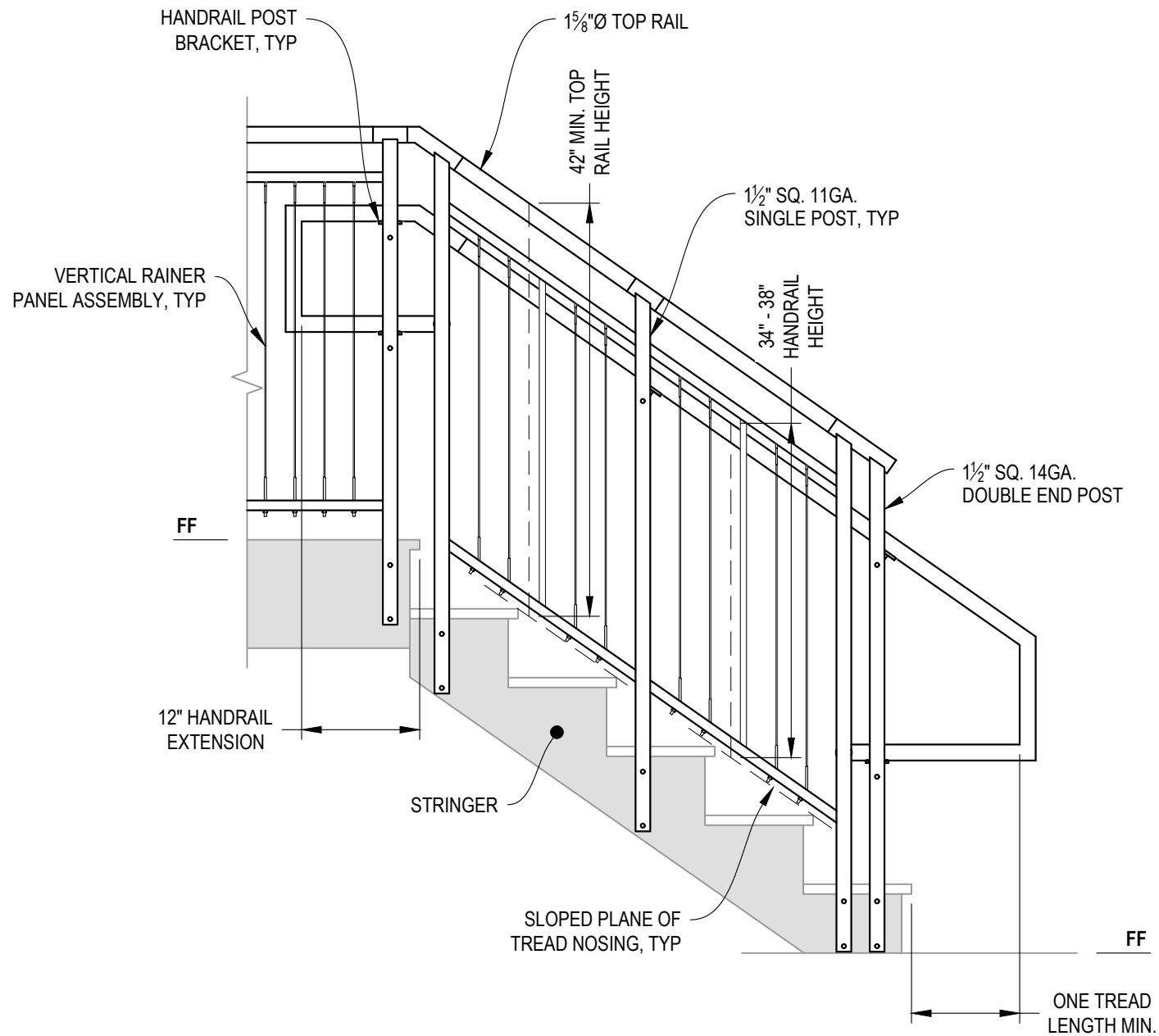
- DECK STRUCTURE CAN VARY GREATLY. IT IS THE RESPONSIBILITY OF THE CUSTOMER TO VERIFY THAT THE SUPPORTING STRUCTURE IS ADEQUATE TO MEET THE LOAD REQUIREMENTS OF THE GOVERNING BUILDING CODE(S). AGS Stainless Inc. RECOMMENDS CONSULTING A DESIGN OR CONSTRUCTION PROFESSIONAL TO ADDRESS THESE ISSUES.



VERTICAL RAINER SPECIFICATION DRAWING
 ** COMMERCIAL **

42" SIDE MOUNT - ROUND TOP

DWG #	SM42RC
SCALE	NONE
DATE	2026
SHEET	



A STAIR
ELEVATION

NOTES:

1. STAIR CONSTRUCTION VARIES GREATLY. AS-BUILT CONDITIONS MAY ALTER RAILING DESIGN, INCLUDING POST LOCATION & MOUNTING, INFILL SPACING, AND TOP RAIL LAYOUT.

VERTICAL RAINER SPECIFICATION DRAWING

** COMMERCIAL **

42" SIDE MOUNT - ROUND TOP

DWG #

SM42RC

SCALE

NONE

DATE

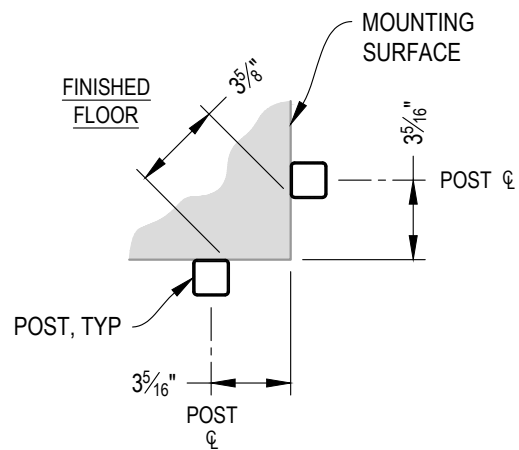
2026

SHEET

3 OF **5**

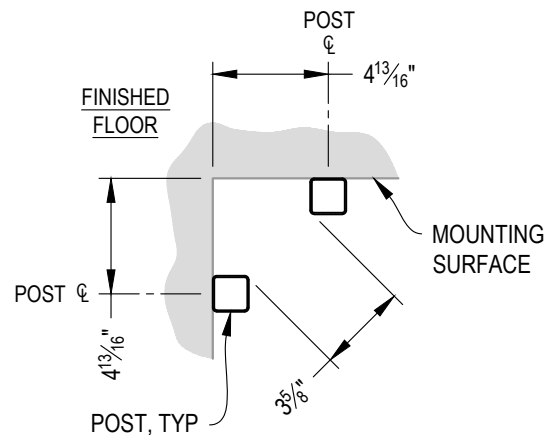
AGS stainless
CLEARVIEW® Railing Systems

7873 NEDAY ROAD
BAINBRIDGE ISLAND, WA 98110
PHONE - (888) 842-9492
WWW.AGSSTAINLESS.COM



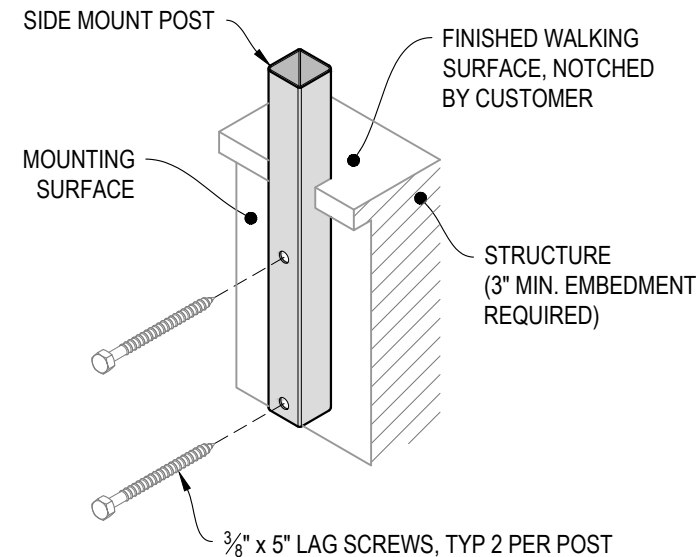
NOTE: 90° SHOWN, OTHER ANGLES SIMILAR

A TYPICAL 90° SIDE MOUNT OUTSIDE CORNER DETAIL

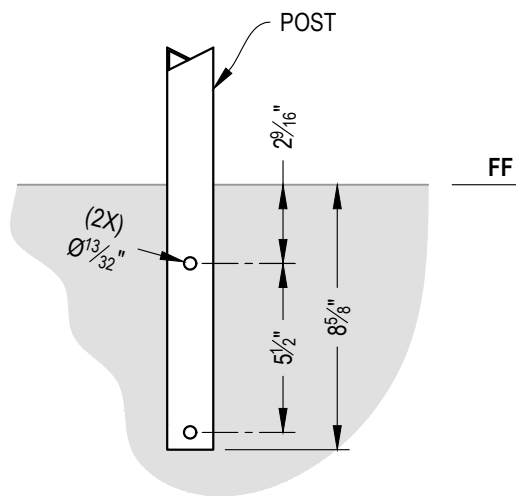


NOTE: 90° SHOWN, OTHER ANGLES SIMILAR

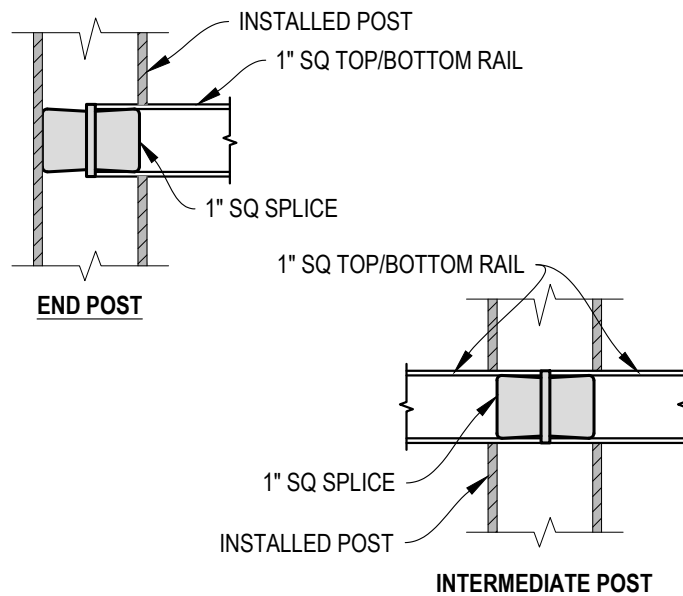
B TYPICAL 90° SIDE MOUNT INSIDE CORNER DETAIL



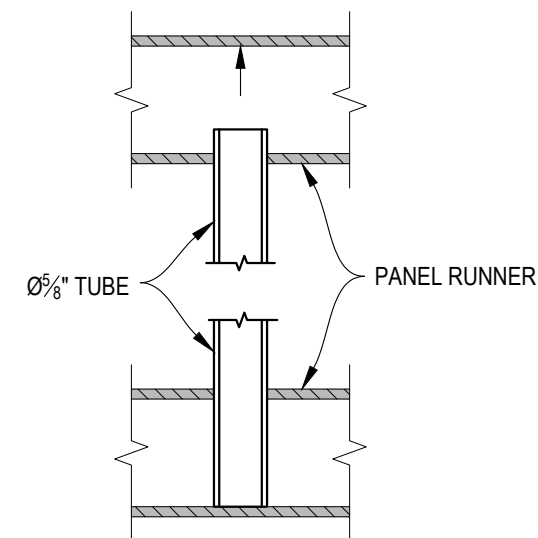
C TYPICAL POST MOUNTING - SIDE MOUNT DETAIL



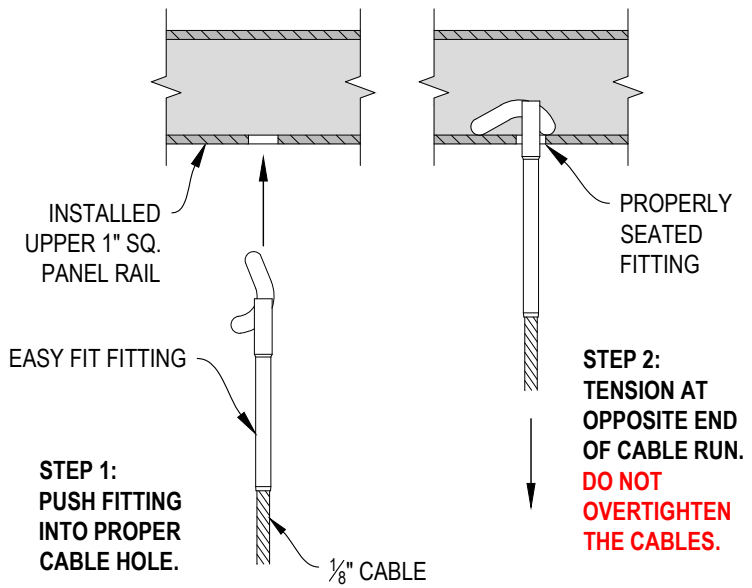
D TYPICAL POST MOUNTING - SIDE MOUNT DETAIL



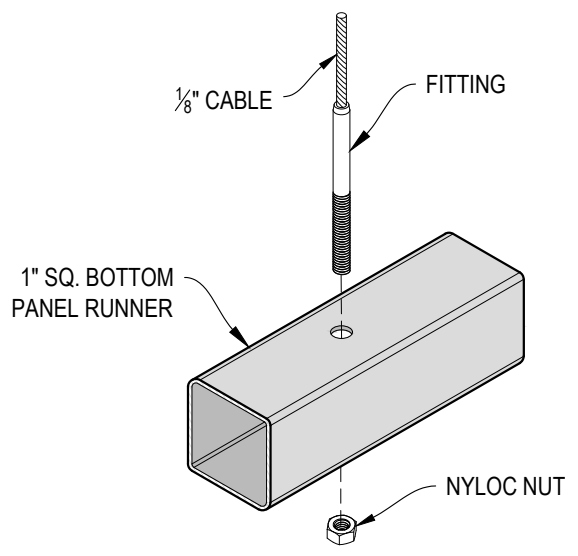
E FITTING INSTALLATION - VERTICAL PANEL RAIL SPLICE DETAIL



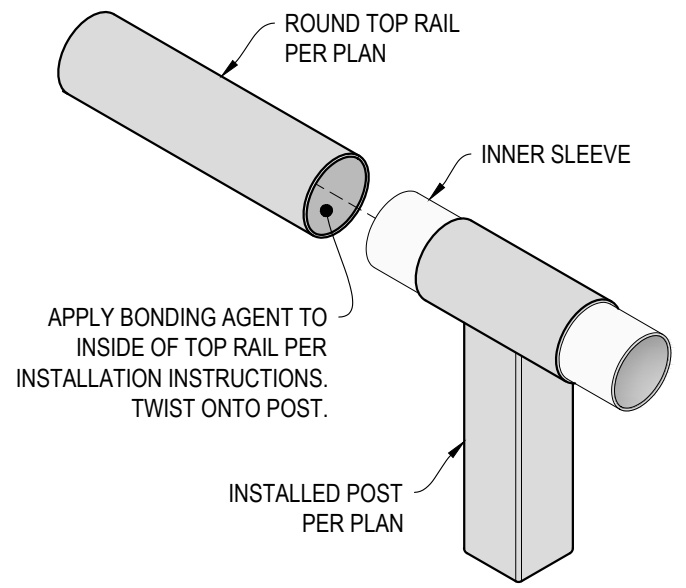
F PANEL SUPPORT TUBE INSTALLATION DETAIL



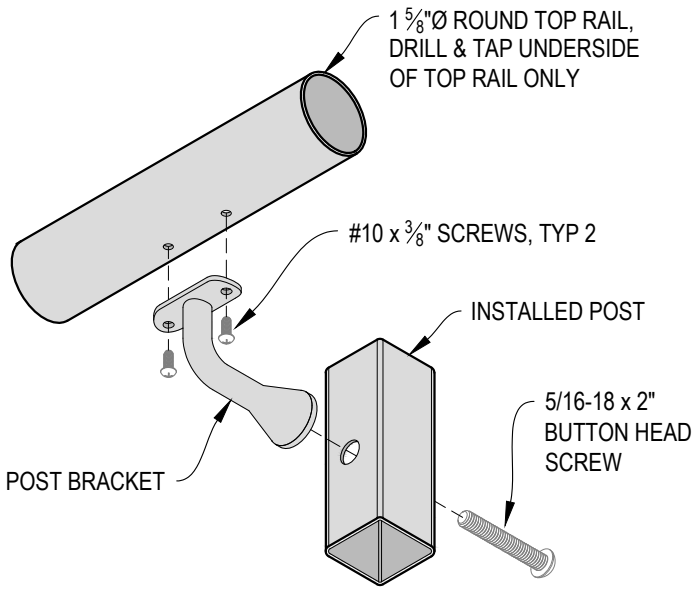
A FITTING INSTALLATION - EASY FIT
DETAIL



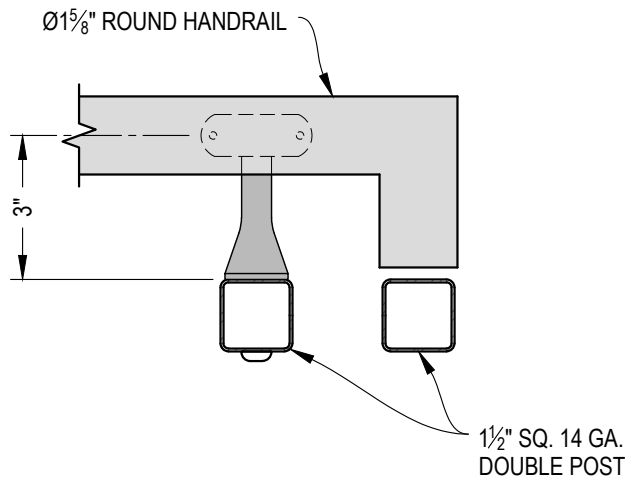
B FITTING INSTALLATION - STANDARD
DETAIL



C TOP RAIL INSTALLATION - ROUND
DETAIL



D HANDRAIL POST BRACKET INSTALLATION - ROUND
DETAIL



E TYPICAL HANDRAIL RETURN - ROUND
DETAIL

NOTE: VIEW MAY BE MIRRORED