

1 EXAMPLE POST LAYOUT
PLAN VIEW

NOTES:

1. TOP RAIL NOT SHOWN FOR CLARITY.
2. ALL PARTS AND COMPONENTS MADE WITH 316 STAINLESS STEEL UNLESS NOTED OTHERWISE.

LEGEND

- DETAIL ID
- SHEET ID
- ELEVATION ID
- SHEET ID
- SIDE MOUNT POST
- SIDE MOUNT DOUBLE POST
- CENTERLINE
- FF** FINISHED FLOOR
- TYP TYPICAL CONDITION APPLIES ELSEWHERE AT SIMILAR CONDITIONS

7873 NE DAY ROAD
BAINBRIDGE ISLAND, WA 98110
PHONE - (888) 842-9492
WWW.AGSSSTAINLESS.COM

AGS stainless
CLEARVIEW® Railing Systems

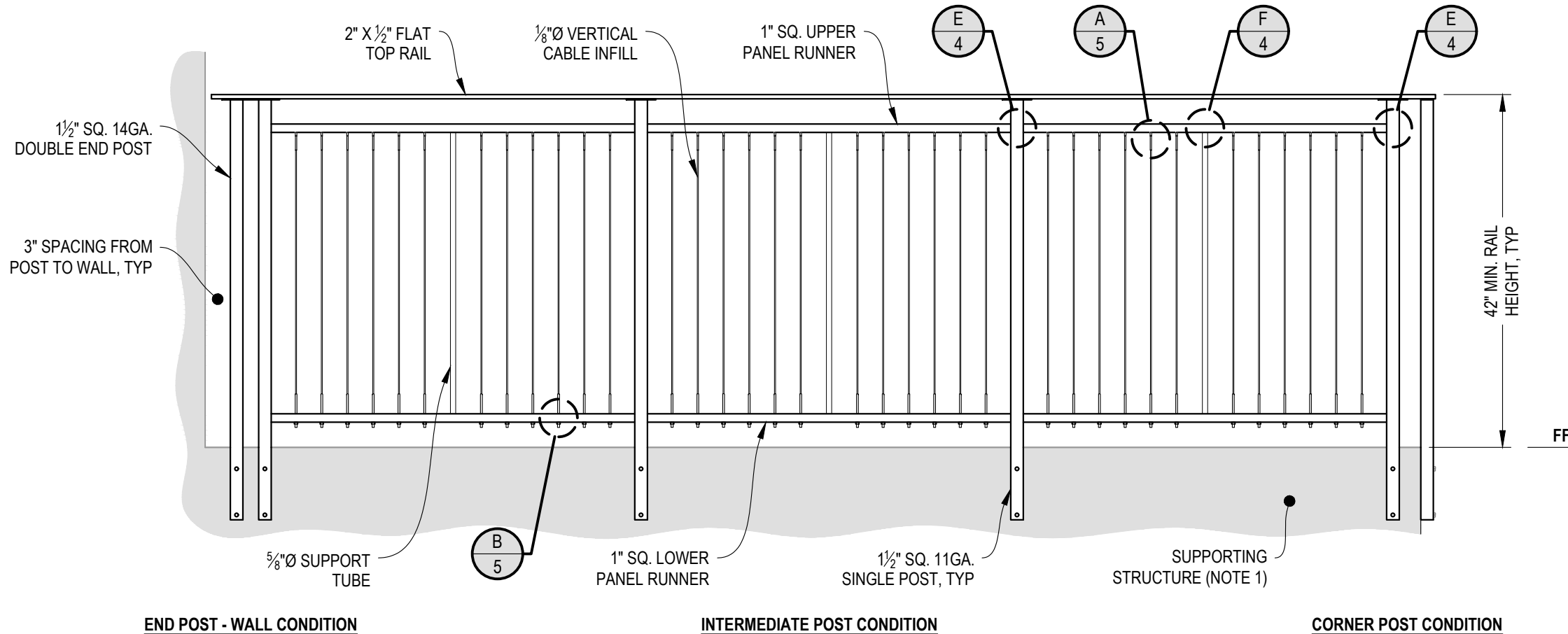
VERTICAL RAINIER SPECIFICATION DRAWING
** COMMERCIAL **

42" SIDE MOUNT - FLAT TOP

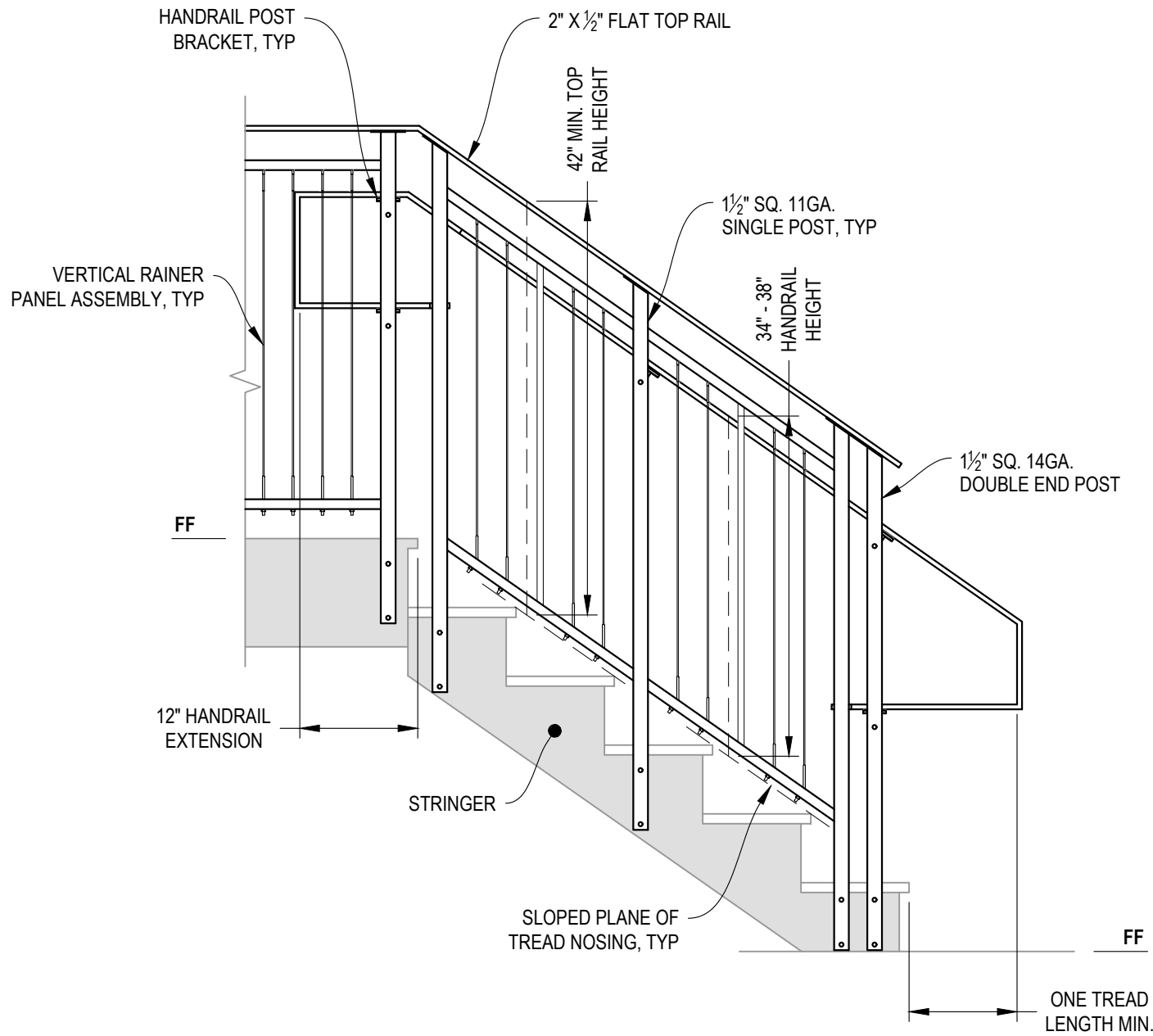
DWG #	SM42FC
SCALE	NONE
DATE	2026
SHEET	1 OF 5

NOTES:

- DECK STRUCTURE CAN VARY GREATLY. IT IS THE RESPONSIBILITY OF THE CUSTOMER TO VERIFY THAT THE SUPPORTING STRUCTURE IS ADEQUATE TO MEET THE LOAD REQUIREMENTS OF THE GOVERNING BUILDING CODE(S). *AGS Stainless Inc.* RECOMMENDS CONSULTING A DESIGN OR CONSTRUCTION PROFESSIONAL TO ADDRESS THESE ISSUES.



A TYPICAL RAILING CONDITION ELEVATION



A STAIR ELEVATION

NOTES:

1. STAIR CONSTRUCTION VARIES GREATLY. AS-BUILT CONDITIONS MAY ALTER RAILING DESIGN, INCLUDING POST LOCATION & MOUNTING, INFILL SPACING, AND TOP RAIL LAYOUT.

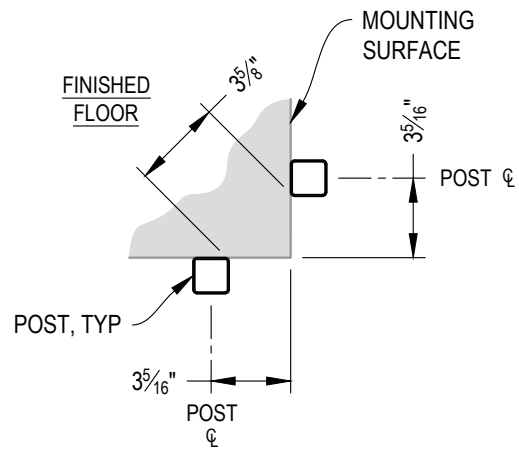
7873 NE DAY ROAD
 BAINBRIDGE ISLAND, WA 98110
 PHONE - (888) 842-9492
 WWW.AGSSSTAINLESS.COM



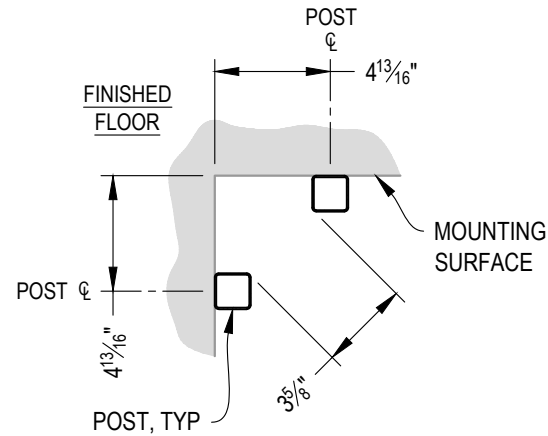
VERTICAL RAINER SPECIFICATION DRAWING
 ** COMMERCIAL **

42" SIDE MOUNT - FLAT TOP

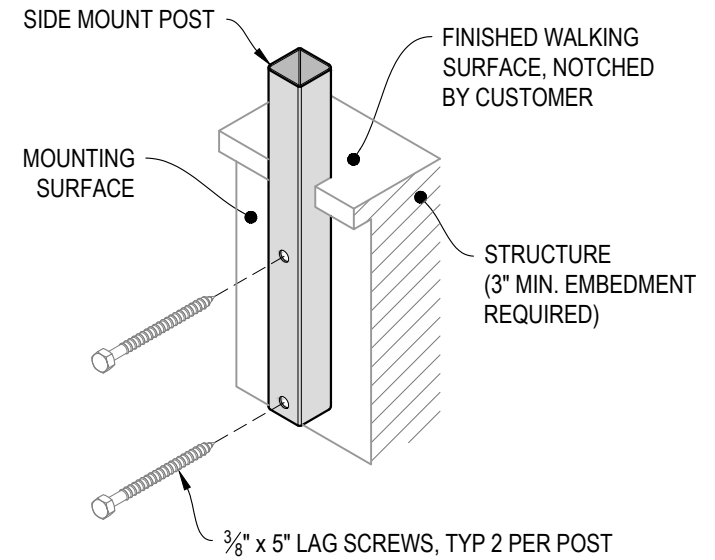
DWG #	SM42FC
SCALE	NONE
DATE	2026
SHEET	



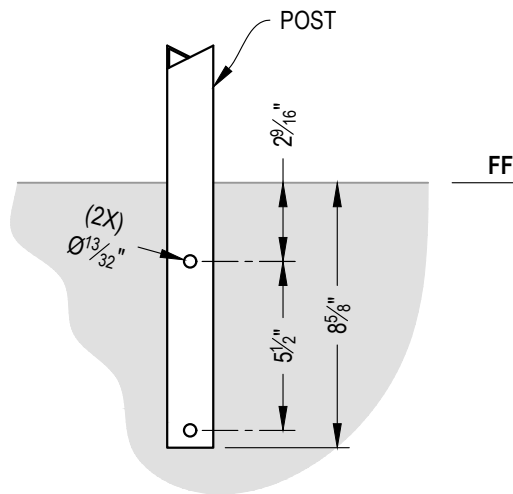
A TYPICAL 90° SIDE MOUNT OUTSIDE CORNER
DETAIL



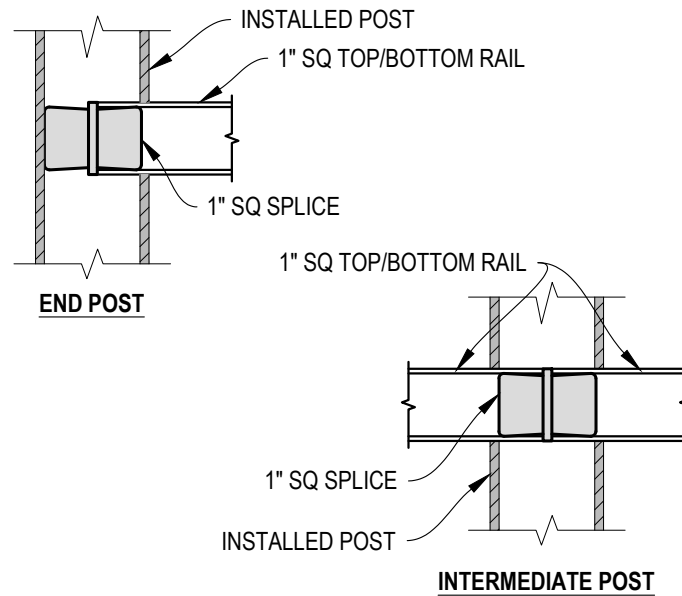
B TYPICAL 90° SIDE MOUNT INSIDE CORNER
DETAIL



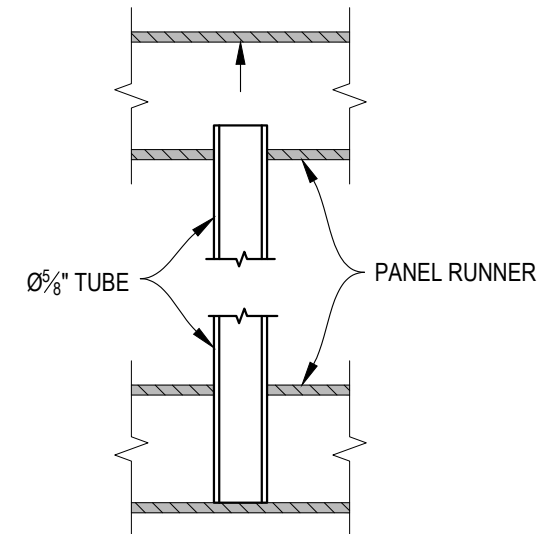
C TYPICAL POST MOUNTING - SIDE MOUNT
DETAIL



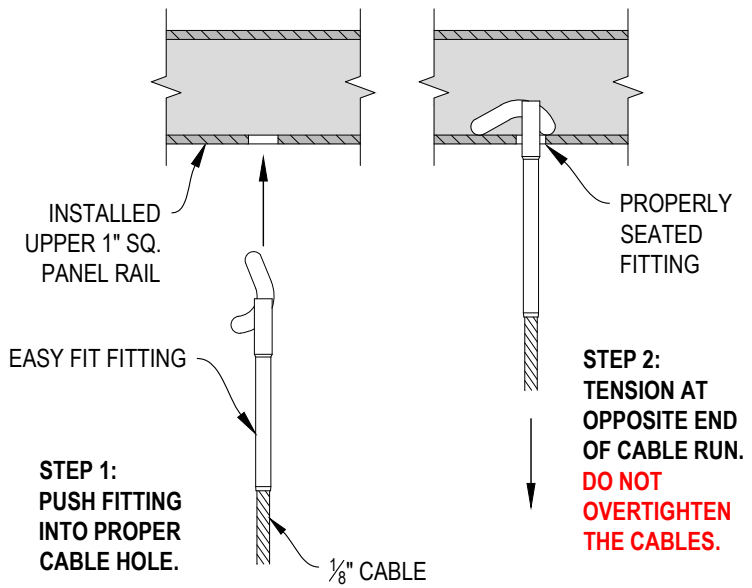
D TYPICAL POST MOUNTING - SIDE MOUNT
DETAIL



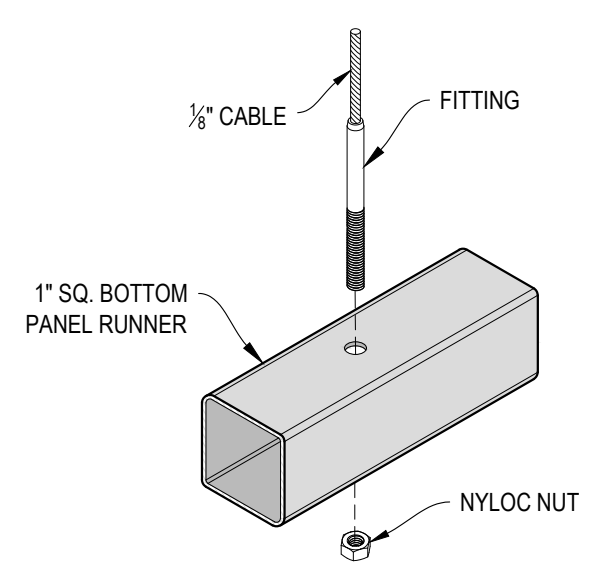
E FITTING INSTALLATION - VERTICAL PANEL RAIL SPLICE
DETAIL



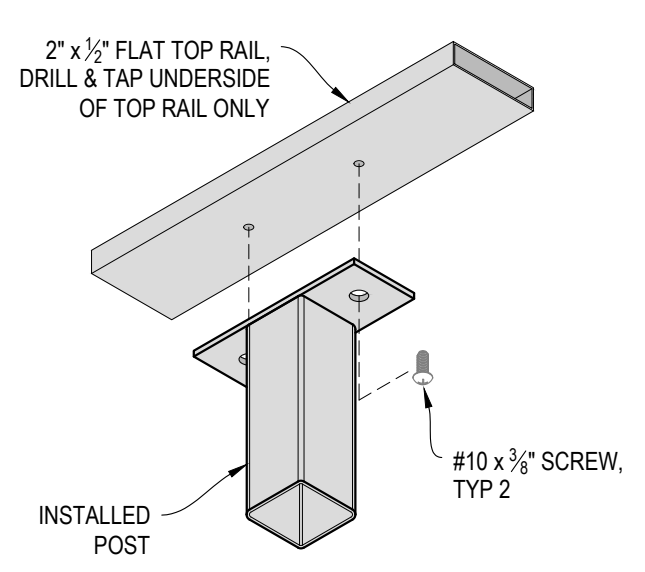
F PANEL SUPPORT TUBE INSTALLATION
DETAIL



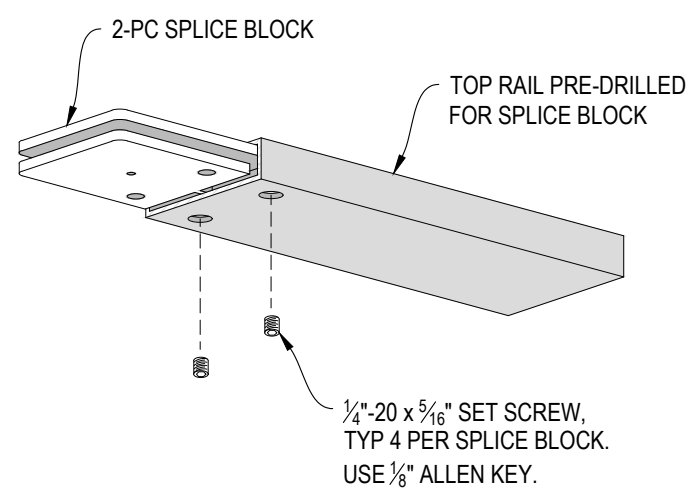
A FITTING INSTALLATION - EASY FIT
DETAIL



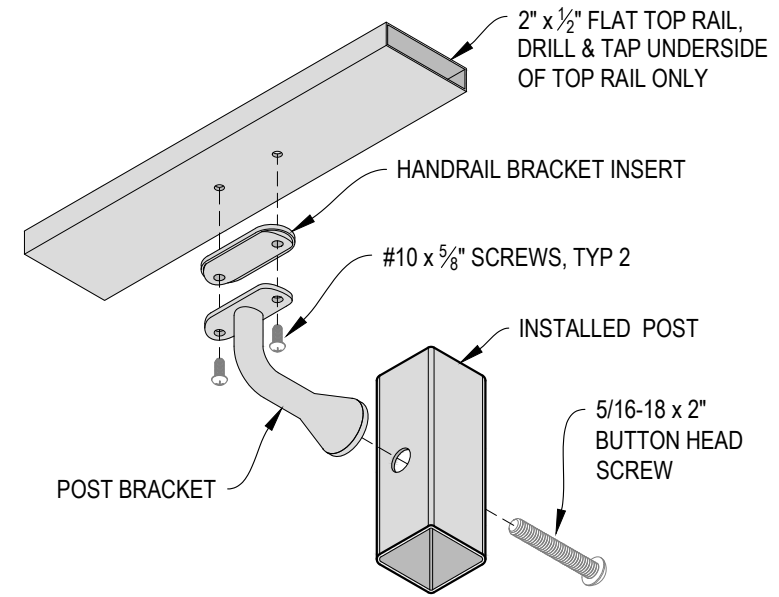
B FITTING INSTALLATION - STANDARD
DETAIL



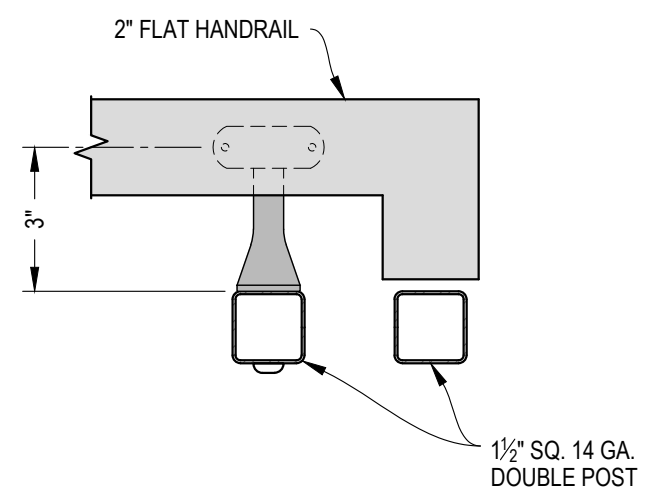
C TOP RAIL INSTALLATION - FLAT
DETAIL



D SPLICE BLOCK ASSEMBLY - FLAT
DETAIL



E HANDRAIL POST BRACKET INSTALLATION - FLAT
DETAIL



F TYPICAL HANDRAIL RETURN - FLAT
DETAIL

NOTE: VIEW MAY BE MIRRORED

7873 NEDAY ROAD
 BAINBRIDGE ISLAND, WA 98110
 PHONE - (888) 842-9492
 WWW.AGSSTAINLESS.COM
AGS stainless
 CLEARVIEW® Railing Systems

VERTICAL RAINIER SPECIFICATION DRAWING
 ** COMMERCIAL **
 42" SIDE MOUNT - FLAT TOP

DWG #	SM42FC
SCALE	NONE
DATE	2026
SHEET	5 OF 5