

**1** EXAMPLE POST LAYOUT  
PLAN VIEW

AGS Stainless Clearview® Railing Systems are designed to meet the requirements of the latest edition of the IRC/IBC.

**NOTES:**

1. TOP RAIL NOT SHOWN FOR CLARITY.
2. ALL PARTS AND COMPONENTS MADE WITH 316 STAINLESS STEEL UNLESS NOTED OTHERWISE.

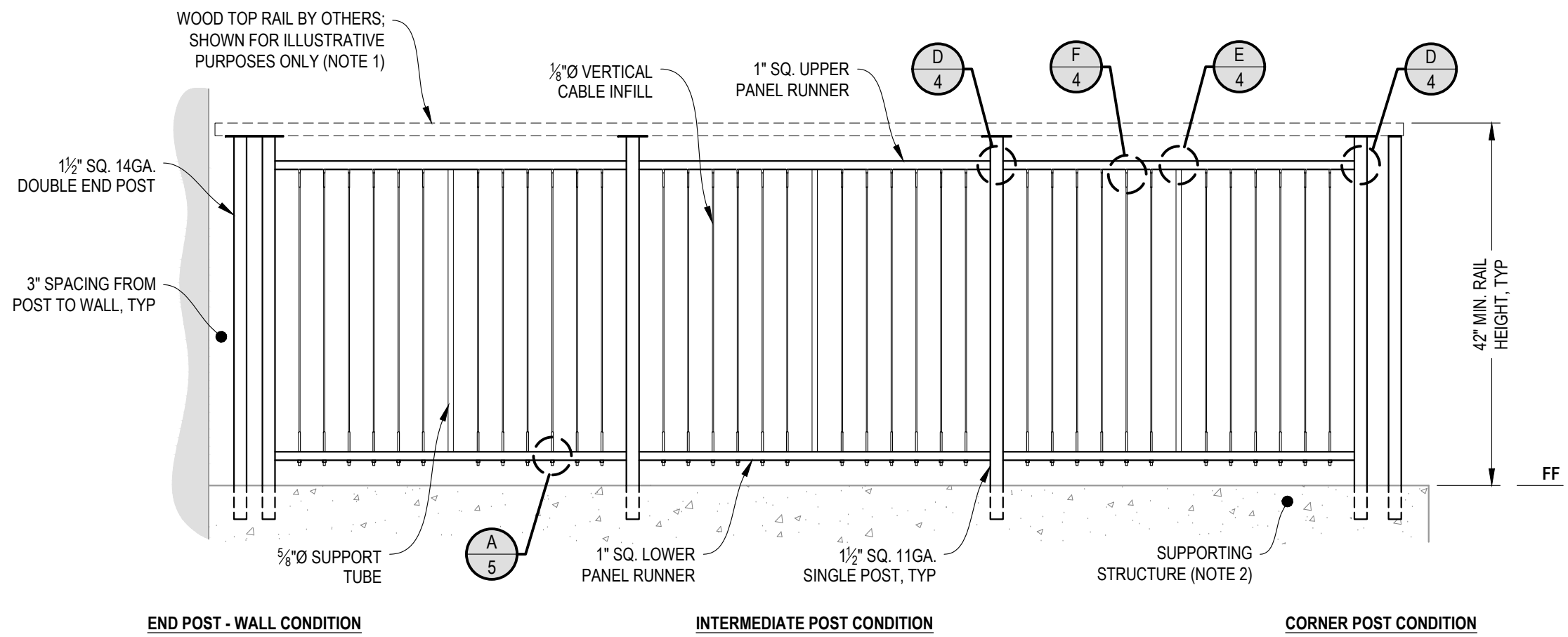
**LEGEND**

- DETAIL ID
- SHEET ID
- ELEVATION ID
- SHEET ID
- CORE DRILL POST
- CORE DRILL DOUBLE POST
- CENTERLINE
- FINISHED FLOOR
- TYP TYPICAL CONDITION APPLIES ELSEWHERE AT SIMILAR CONDITIONS

DWG #	CD42WC
SCALE	NONE
DATE	2026
SHEET	

**NOTES:**

1. TOP RAIL SHOULD BE SELECTED SO THAT ALL GOVERNING CODE REQUIREMENTS ARE SATISFIED. THESE INCLUDE SHAPE, STRENGTH AND RAILING HEIGHT.
2. DECK STRUCTURE CAN VARY GREATLY. IT IS THE RESPONSIBILITY OF THE CUSTOMER TO VERIFY THAT THE SUPPORTING STRUCTURE IS ADEQUATE TO MEET THE LOAD REQUIREMENTS OF THE GOVERNING BUILDING CODE(S). AGS Stainless Inc. RECOMMENDS CONSULTING A DESIGN OR CONSTRUCTION PROFESSIONAL TO ADDRESS THESE ISSUES.



**END POST - WALL CONDITION**

**INTERMEDIATE POST CONDITION**

**CORNER POST CONDITION**

**A TYPICAL RAILING CONDITION ELEVATION**

VERTICAL RAINER SPECIFICATION DRAWING  
 \*\* COMMERCIAL \*\*

42" CORE DRILL - WOOD TOP

DWG #	CD42WC
SCALE	NONE
DATE	2026
SHEET	

WOOD TOP RAIL & HANDRAIL BY OTHERS; SHOWN FOR ILLUSTRATIVE PURPOSES ONLY (NOTE 1)

HANDRAIL POST BRACKET, TYP

42" MIN. TOP RAIL HEIGHT

1 1/2" SQ. 11GA. SINGLE POST, TYP

34" - 38" HANDRAIL HEIGHT

VERTICAL RAINER PANEL ASSEMBLY, TYP

1 1/2" SQ. 14GA. DOUBLE END POST

FF

12" HANDRAIL EXTENSION

SLOPED PLANE OF TREAD NOSING, TYP

FF

ONE TREAD LENGTH MIN.

**A** STAIR ELEVATION

**NOTES:**

1. TOP RAIL SHOULD BE SELECTED SO THAT ALL GOVERNING CODE REQUIREMENTS ARE SATISFIED. THESE INCLUDE SHAPE, STRENGTH, AND RAILING HEIGHT.
2. STAIR CONSTRUCTION VARIES GREATLY. AS-BUILT CONDITIONS MAY ALTER RAILING DESIGN, INCLUDING POST LOCATION & MOUNTING, INFILL SPACING, AND TOP RAIL LAYOUT.

7873 NE DAY ROAD  
BAINBRIDGE ISLAND, WA 98110  
PHONE - (888) 842-9492  
WWW.AGSSTAINLESS.COM



VERTICAL RAINER SPECIFICATION DRAWING  
\*\* COMMERCIAL \*\*

42" CORE DRILL - WOOD TOP

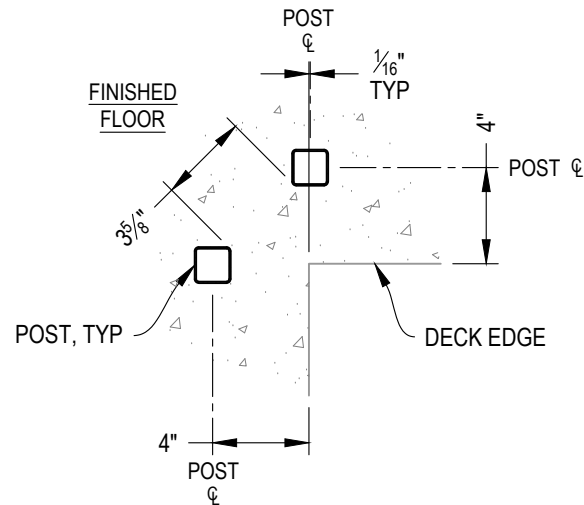
DWG #	CD42WC
SCALE	NONE
DATE	2026
SHEET	

**3** OF **5**



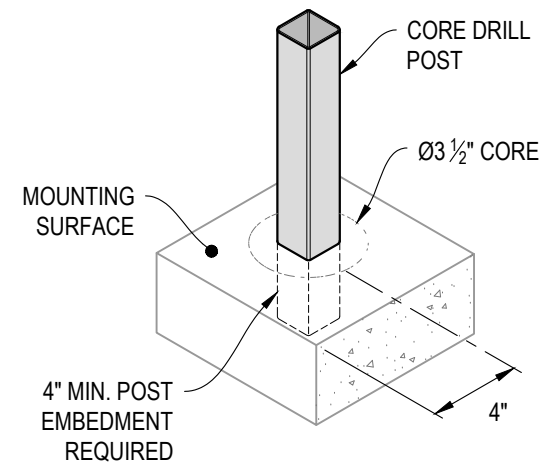
NOTE: 90° SHOWN, OTHER ANGLES SIMILAR

**A** TYPICAL 90° TOP MOUNT OUTSIDE CORNER  
DETAIL

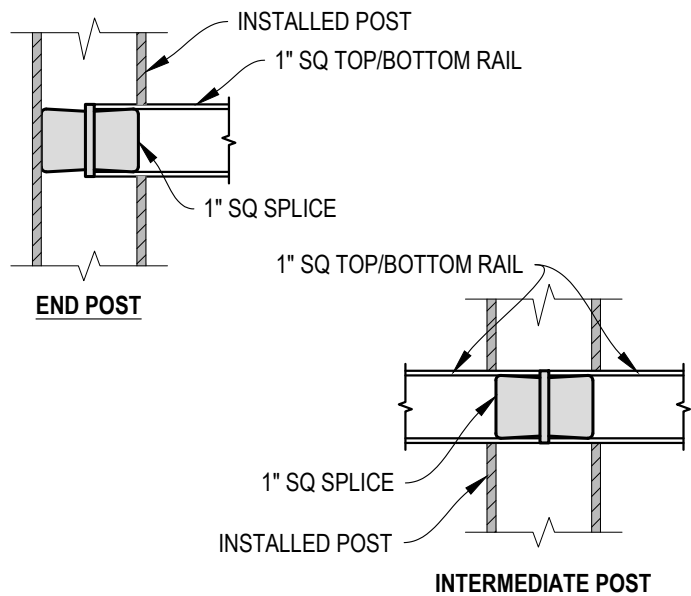


NOTE: 90° SHOWN, OTHER ANGLES SIMILAR

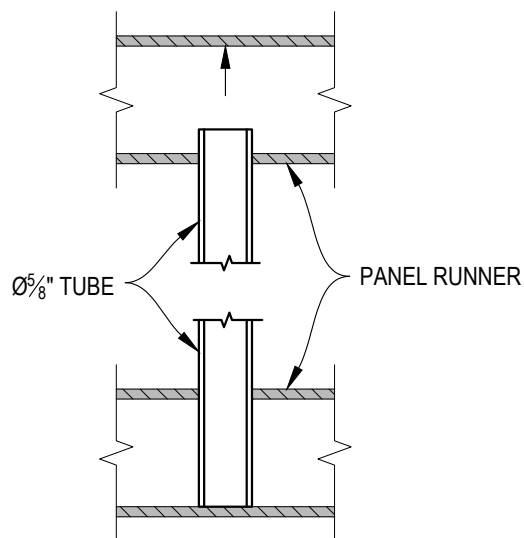
**B** TYPICAL 90° TOP MOUNT INSIDE CORNER  
DETAIL



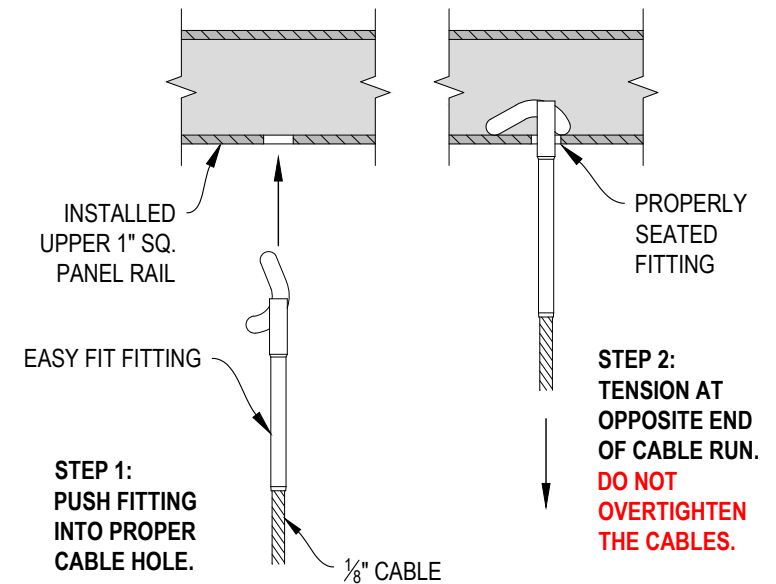
**C** TYPICAL POST MOUNTING - CORE DRILL  
DETAIL



**D** FITTING INSTALLATION - VERTICAL PANEL RAIL SPLICE  
DETAIL



**E** PANEL SUPPORT TUBE INSTALLATION  
DETAIL



**F** FITTING INSTALLATION - EASY FIT  
DETAIL

VERTICAL RAINIER SPECIFICATION DRAWING  
\*\* COMMERCIAL \*\*

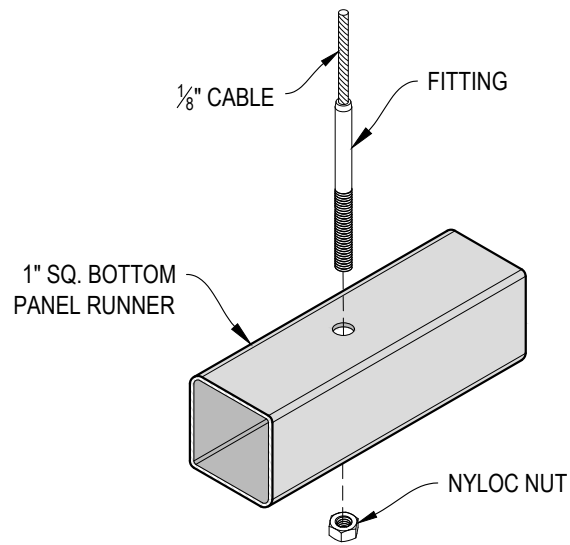
42" CORE DRILL - WOOD TOP

DWG # CD42WC  
SCALE NONE  
DATE 2026  
SHEET

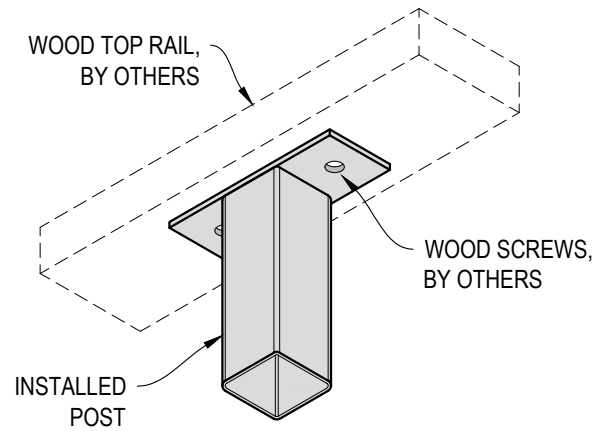
4 OF 5

7873 NEDAY ROAD  
BAINBRIDGE ISLAND, WA 98110  
PHONE - (888) 842-9492  
WWW.AGSSSTAINLESS.COM

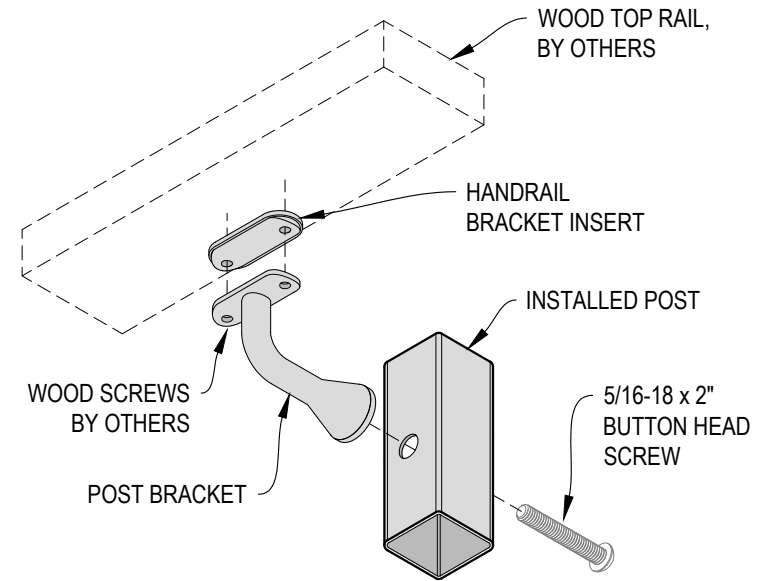
AGS stainless  
CLEARVIEW® Railing Systems



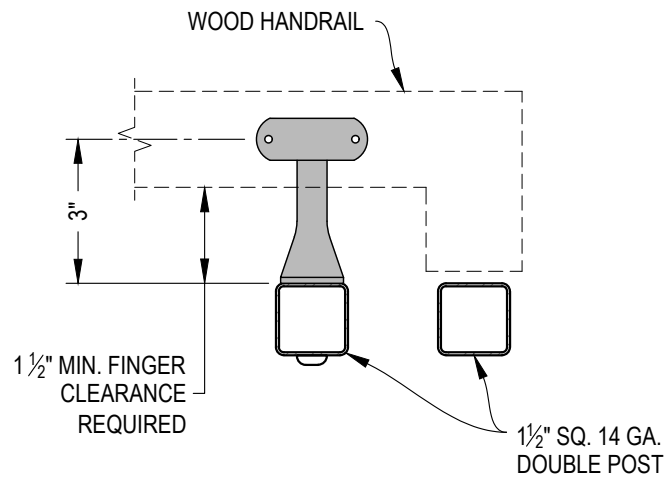
**A** FITTING INSTALLATION - STANDARD  
DETAIL



**B** TOP RAIL INSTALLATION - WOOD  
DETAIL



**C** HANDRAIL POST BRACKET INSTALLATION - WOOD  
DETAIL



**NOTE: VIEW MAY BE MIRRORED**

**D** TYPICAL HANDRAIL RETURN - WOOD  
DETAIL