

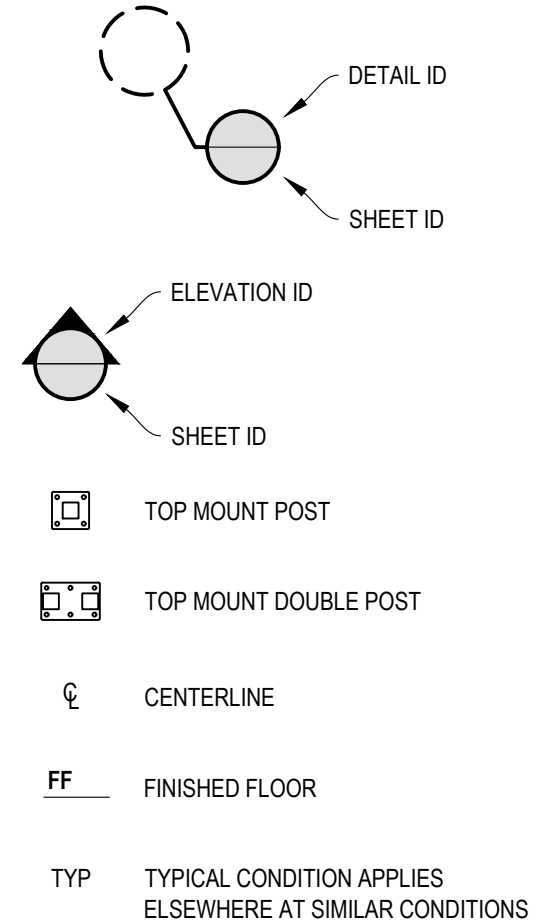
1 EXAMPLE POST LAYOUT
PLAN VIEW

AGS Stainless Clearview® Railing Systems are designed to meet the requirements of the latest edition of the IRC/IBC.

NOTES:

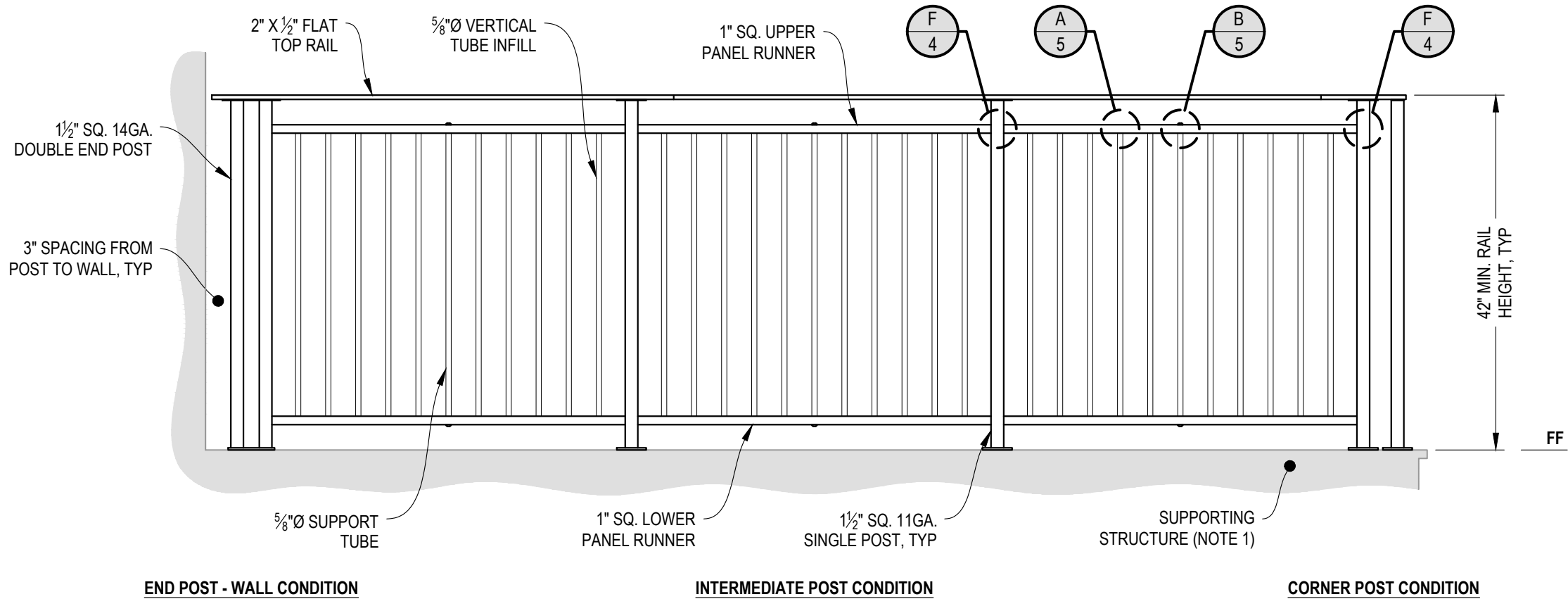
1. TOP RAIL NOT SHOWN FOR CLARITY.
2. ALL PARTS AND COMPONENTS MADE WITH 316 STAINLESS STEEL UNLESS NOTED OTHERWISE.

LEGEND

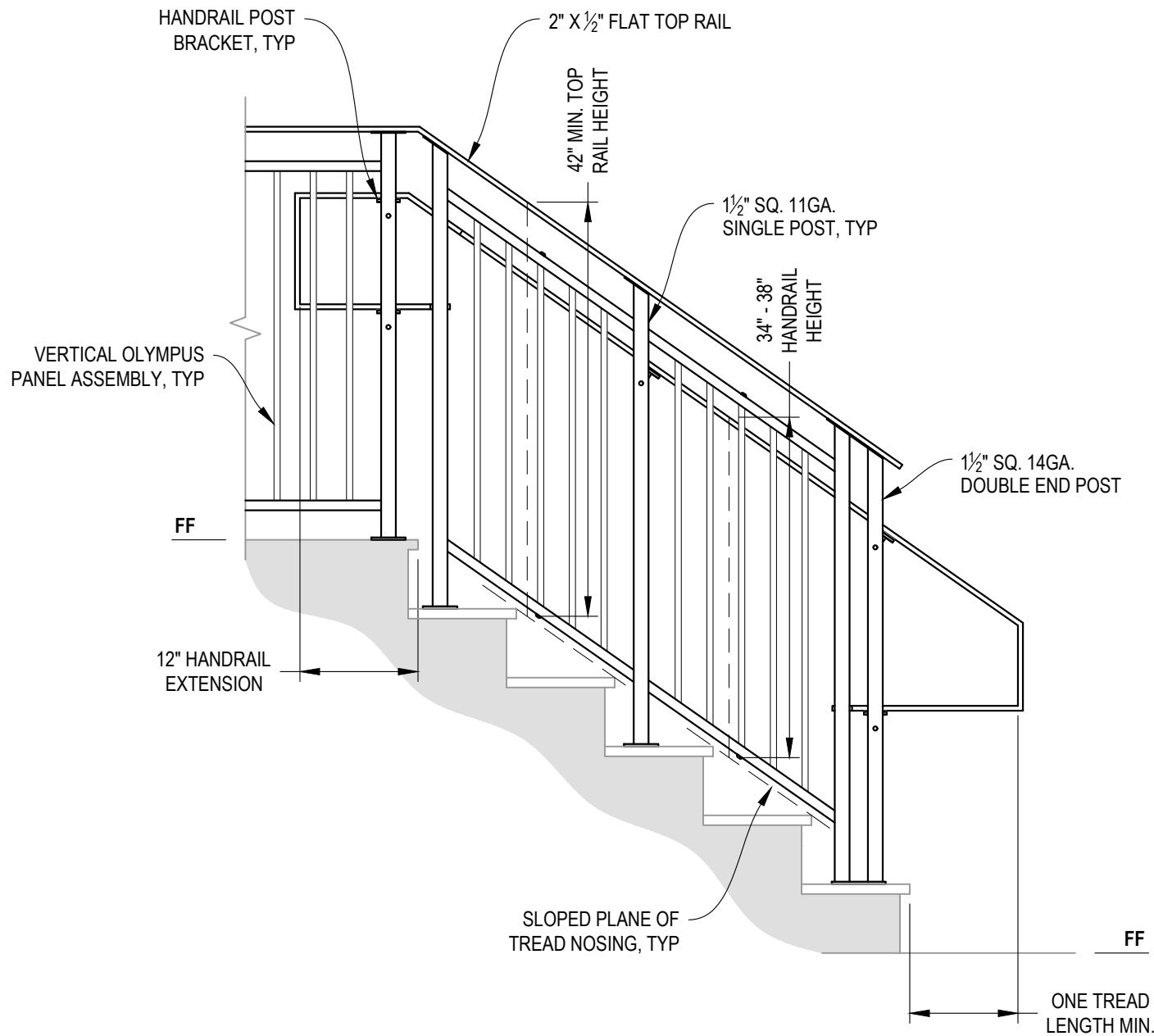


NOTES:

1. DECK STRUCTURE CAN VARY GREATLY. IT IS THE RESPONSIBILITY OF THE CUSTOMER TO VERIFY THAT THE SUPPORTING STRUCTURE IS ADEQUATE TO MEET THE LOAD REQUIREMENTS OF THE GOVERNING BUILDING CODE(S). *AGS Stainless Inc.* RECOMMENDS CONSULTING A DESIGN OR CONSTRUCTION PROFESSIONAL TO ADDRESS THESE ISSUES.



A **TYPICAL RAILING CONDITION**
ELEVATION



NOTES:

1. STAIR CONSTRUCTION VARIES GREATLY. AS-BUILT CONDITIONS MAY ALTER RAILING DESIGN, INCLUDING POST LOCATION & MOUNTING, INFILL SPACING, AND TOP RAIL LAYOUT.

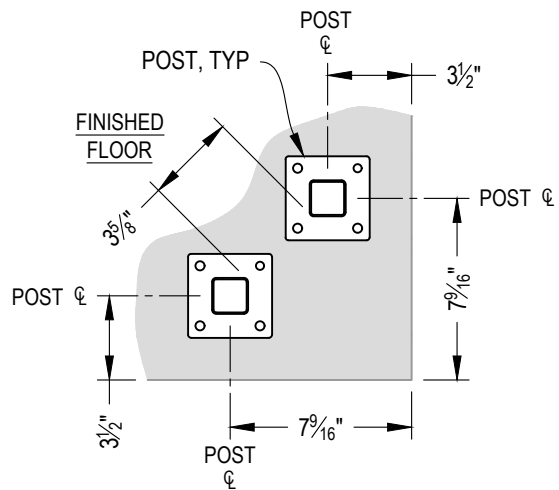
A STAIR
ELEVATION

AGS Stainless Clearview® Railing Systems are designed to meet the requirements of the latest edition of the IRC/IBC.

VERTICAL OLYMPUS SPECIFICATION DRAWING
** COMMERCIAL **

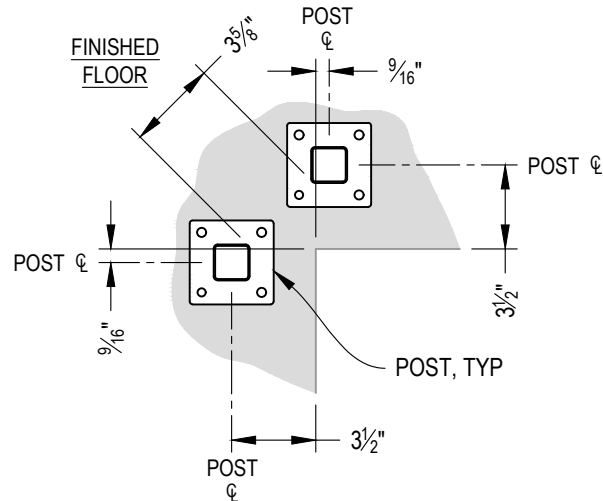
42" TOP MOUNT - FLAT TOP

DWG #	TM42FC
SCALE	NONE
DATE	2026
SHEET	



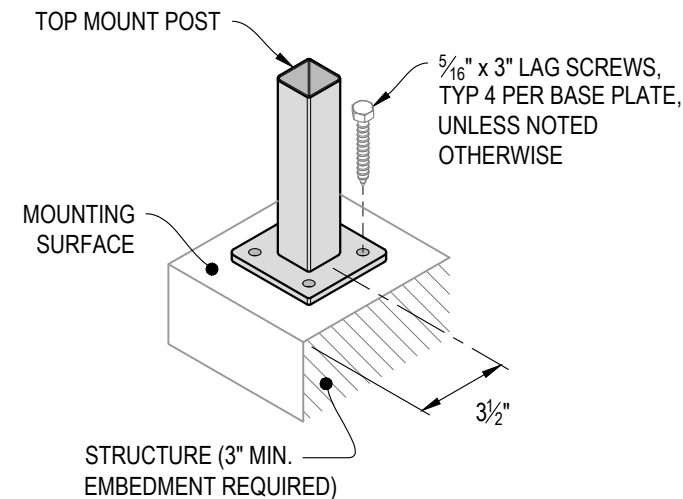
NOTE: 90° SHOWN, OTHER ANGLES SIMILAR

A TYPICAL 90° TOP MOUNT OUTSIDE CORNER
DETAIL



NOTE: 90° SHOWN, OTHER ANGLES SIMILAR

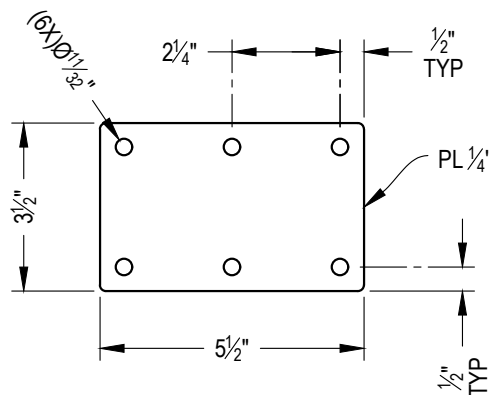
B TYPICAL 90° TOP MOUNT INSIDE CORNER
DETAIL



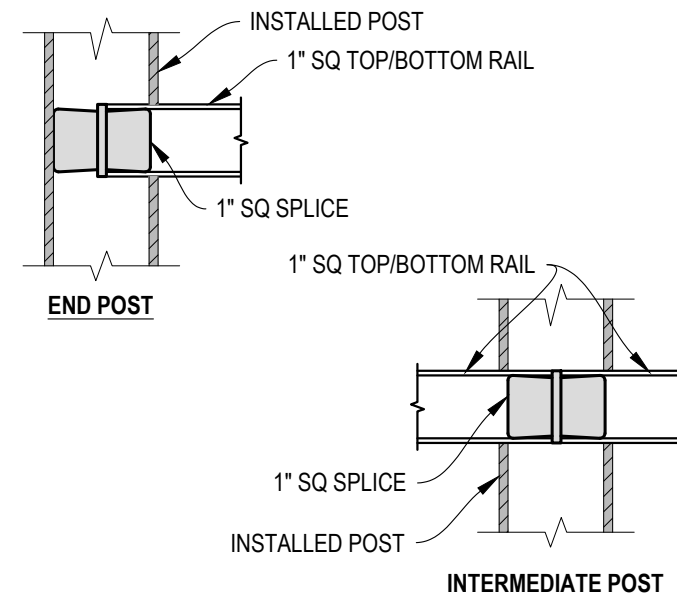
C TYPICAL POST MOUNTING - TOP MOUNT
DETAIL



D TYPICAL BASE PLATE
DETAIL



E TYPICAL DOUBLE BASE PLATE
DETAIL



F FITTING INSTALLATION - VERTICAL PANEL RAIL SPLICE
DETAIL

VERTICAL OLYMPUS SPECIFICATION DRAWING

** COMMERCIAL **

42" TOP MOUNT - FLAT TOP

DWG # TM42FC

SCALE NONE

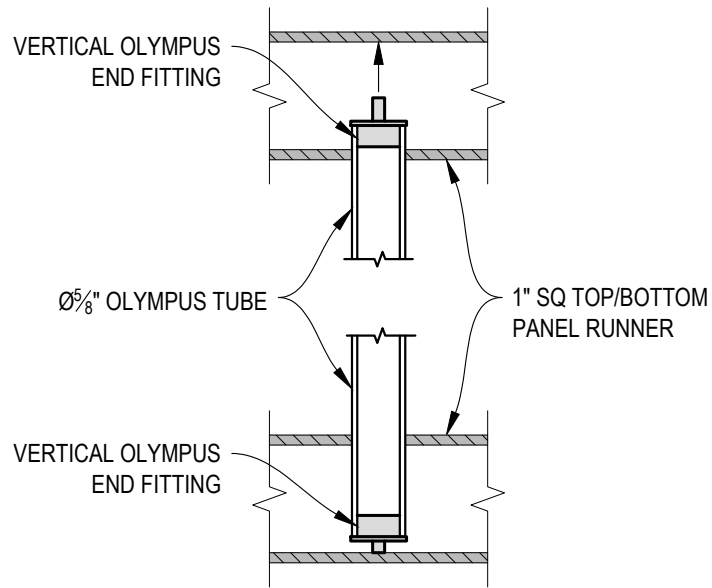
DATE 2026

SHEET

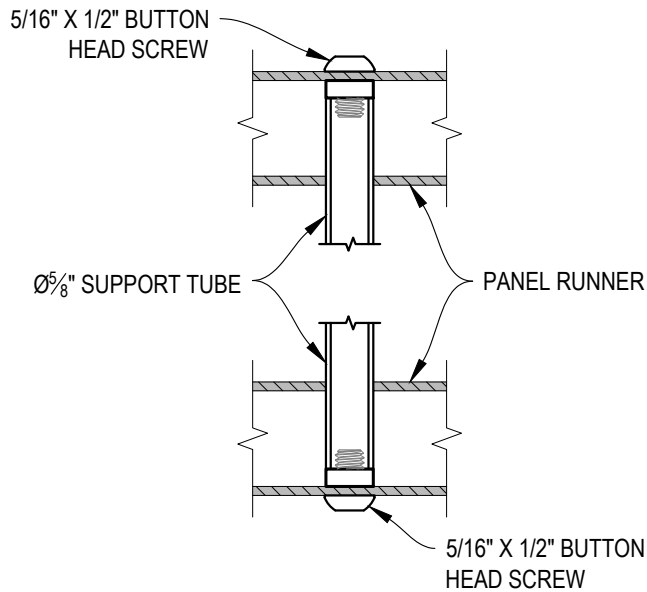
4 OF 5

AGS stainless
CLEARVIEW® Railing Systems

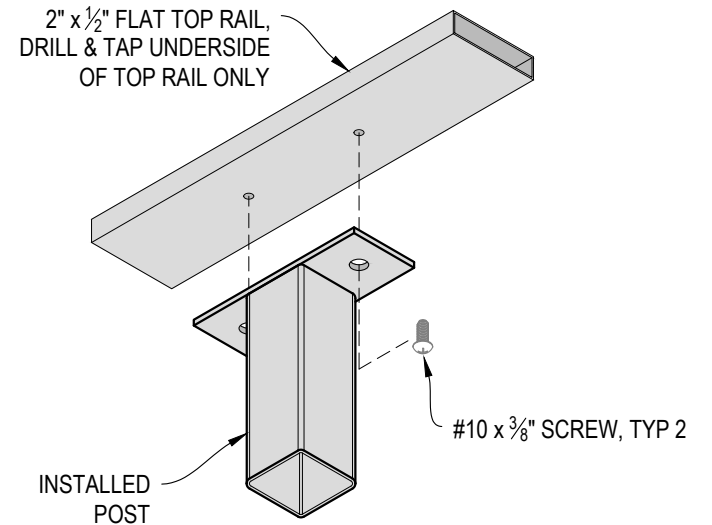
7873 NEDAY ROAD
BAINBRIDGE ISLAND, WA 98110
PHONE - (888) 842-9492
WWW.AGSSTAINLESS.COM



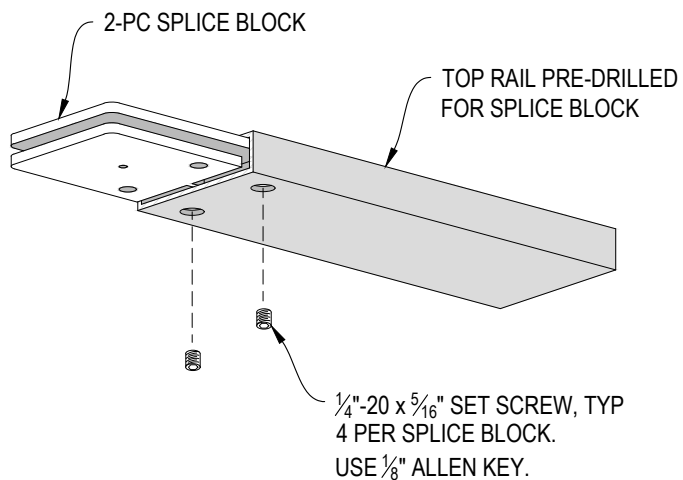
A FITTING INSTALLATION - OLYMPUS INSERT
DETAIL



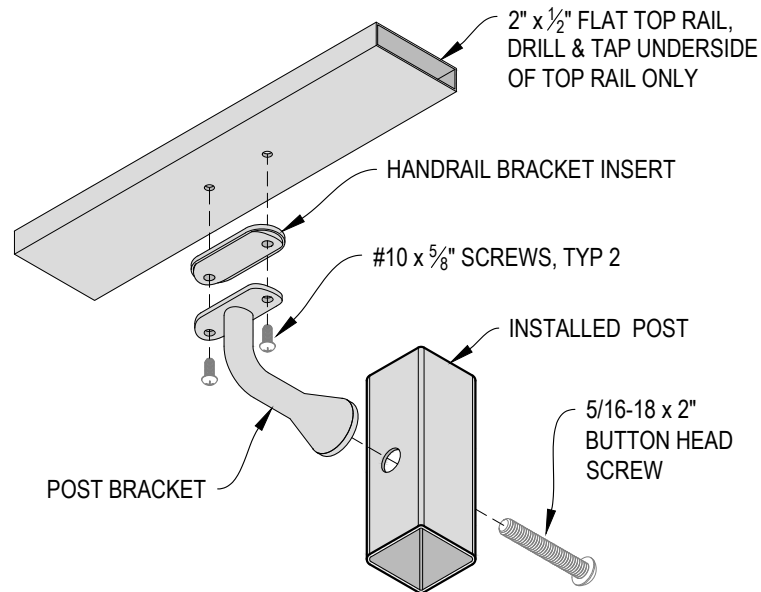
B FITTING INSTALLATION - MIDDLE SUPPORT TUBE
DETAIL



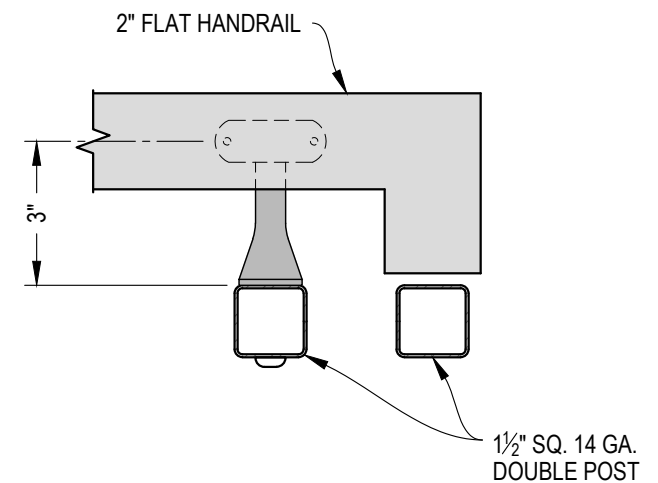
C TOP RAIL INSTALLATION - FLAT
DETAIL



D SPLICE BLOCK ASSEMBLY - FLAT
DETAIL



E HANDRAIL POST BRACKET INSTALLATION - FLAT
DETAIL



NOTE: VIEW MAY BE MIRRORED

F TYPICAL HANDRAIL RETURN - FLAT
DETAIL