

1 EXAMPLE POST LAYOUT
PLAN VIEW

AGS Stainless Clearview® Railing Systems are designed to meet the requirements of the latest edition of the IRC/IBC.

NOTES:

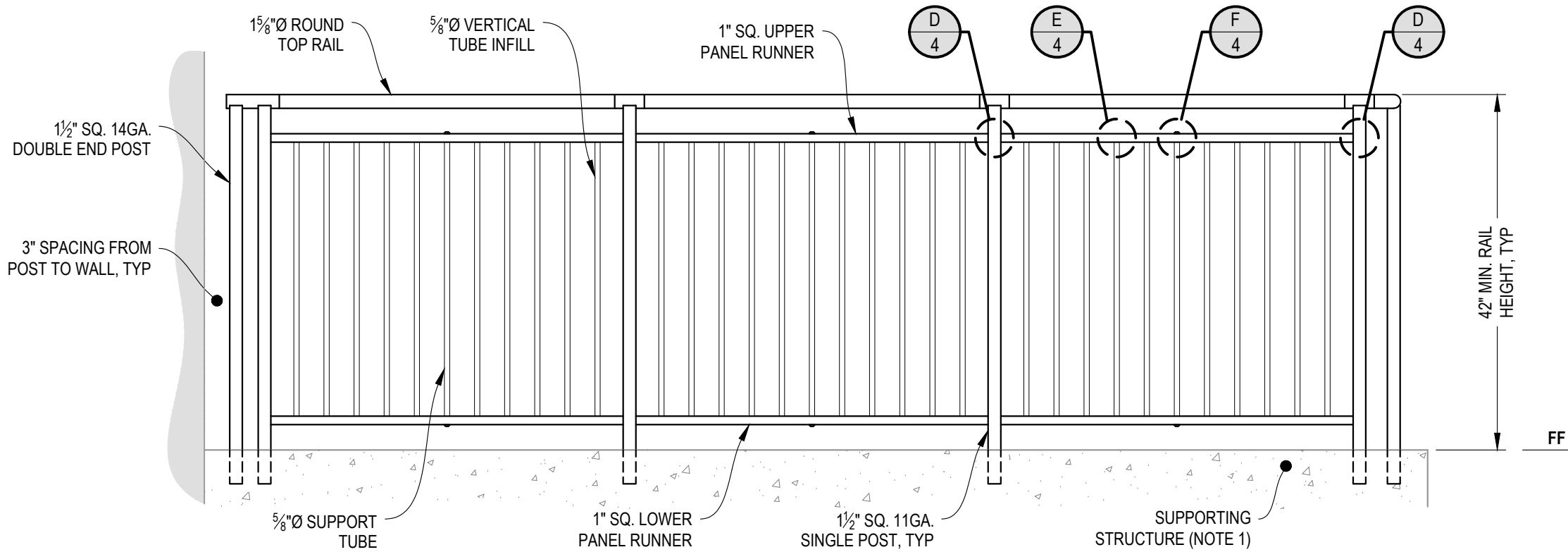
1. TOP RAIL NOT SHOWN FOR CLARITY.
2. ALL PARTS AND COMPONENTS MADE WITH 316 STAINLESS STEEL UNLESS NOTED OTHERWISE.

LEGEND

- DETAIL ID
- SHEET ID
- ELEVATION ID
- SHEET ID
- CORE DRILL POST
- CORE DRILL DOUBLE POST
- CENTERLINE
- FINISHED FLOOR
- TYPICAL CONDITION APPLIES ELSEWHERE AT SIMILAR CONDITIONS

NOTES:

- DECK STRUCTURE CAN VARY GREATLY. IT IS THE RESPONSIBILITY OF THE CUSTOMER TO VERIFY THAT THE SUPPORTING STRUCTURE IS ADEQUATE TO MEET THE LOAD REQUIREMENTS OF THE GOVERNING BUILDING CODE(S). *AGS Stainless Inc.* RECOMMENDS CONSULTING A DESIGN OR CONSTRUCTION PROFESSIONAL TO ADDRESS THESE ISSUES.

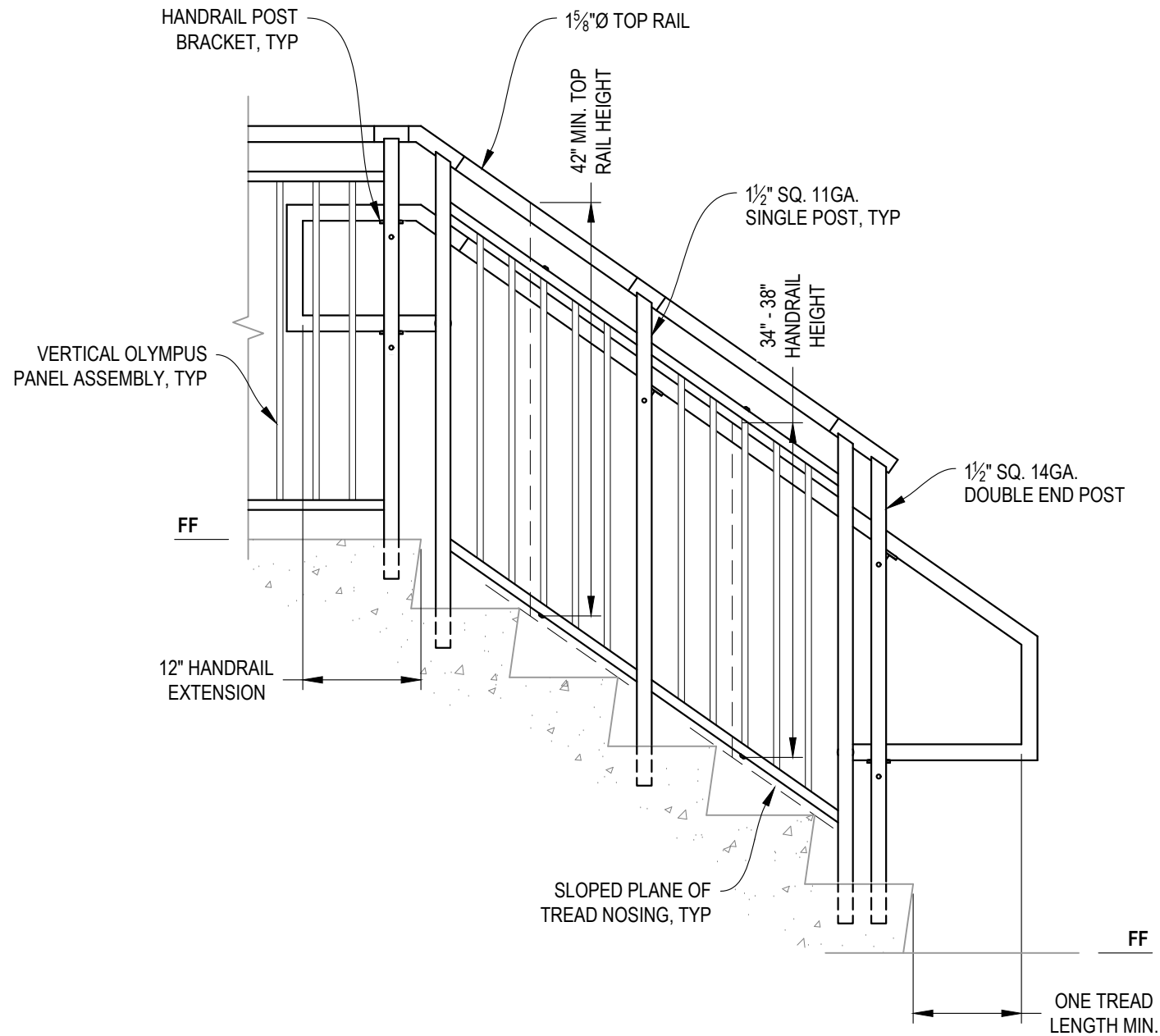


END POST - WALL CONDITION

INTERMEDIATE POST CONDITION

CORNER POST CONDITION

A TYPICAL RAILING CONDITION ELEVATION



A STAIR ELEVATION

NOTES:

1. STAIR CONSTRUCTION VARIES GREATLY. AS-BUILT CONDITIONS MAY ALTER RAILING DESIGN, INCLUDING POST LOCATION & MOUNTING, INFILL SPACING, AND TOP RAIL LAYOUT.

7873 NEDAY ROAD
 BAINBRIDGE ISLAND, WA 98110
 PHONE - (888) 842-9492
 WWW.AGSSSTAINLESS.COM



VERTICAL OLYMPUS SPECIFICATION DRAWING
 ** COMMERCIAL **

42" CORE DRILL - ROUND TOP

DWG # CD42RC

SCALE NONE

DATE 2026

SHEET

3 OF **5**



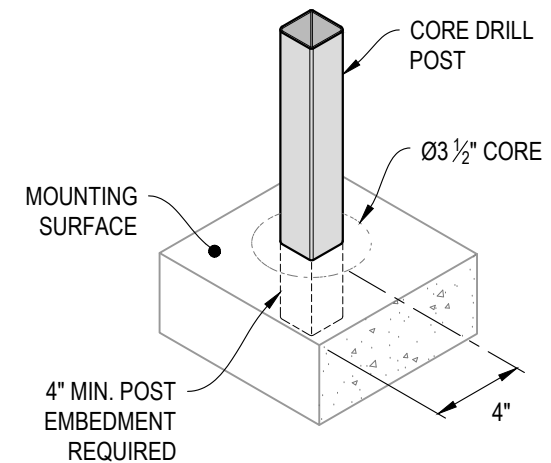
NOTE: 90° SHOWN, OTHER ANGLES SIMILAR

A TYPICAL 90° TOP MOUNT OUTSIDE CORNER
DETAIL

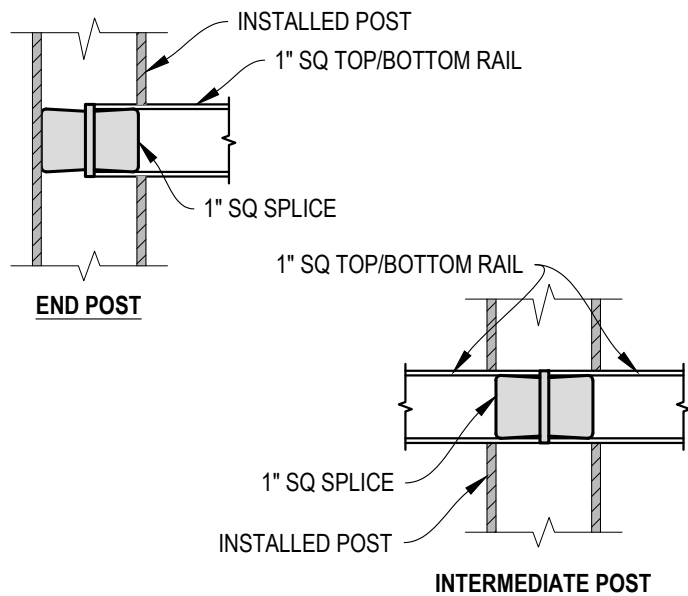


NOTE: 90° SHOWN, OTHER ANGLES SIMILAR

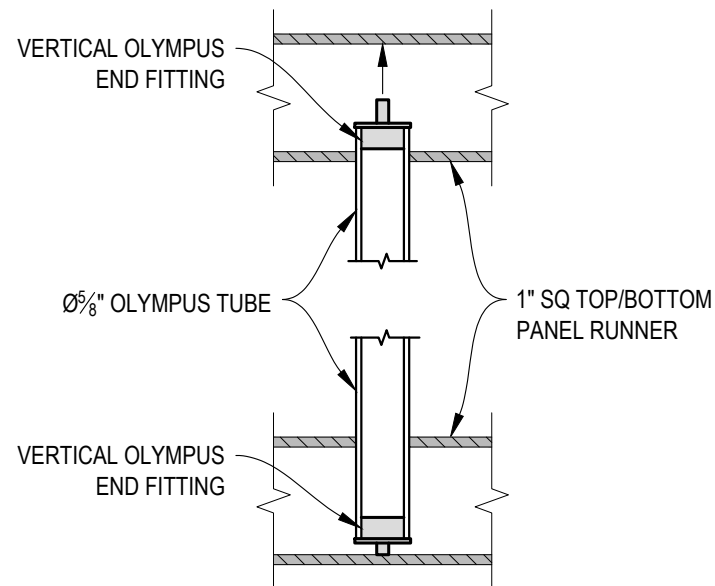
B TYPICAL 90° TOP MOUNT INSIDE CORNER
DETAIL



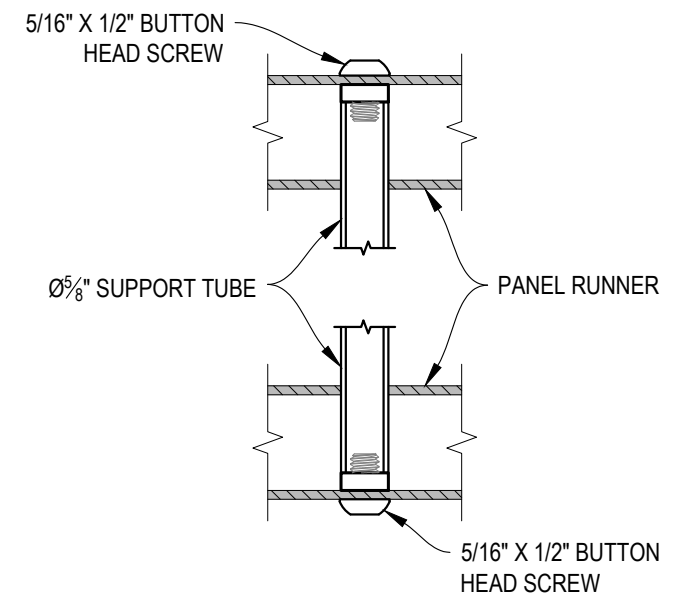
C TYPICAL POST MOUNTING - CORE DRILL
DETAIL



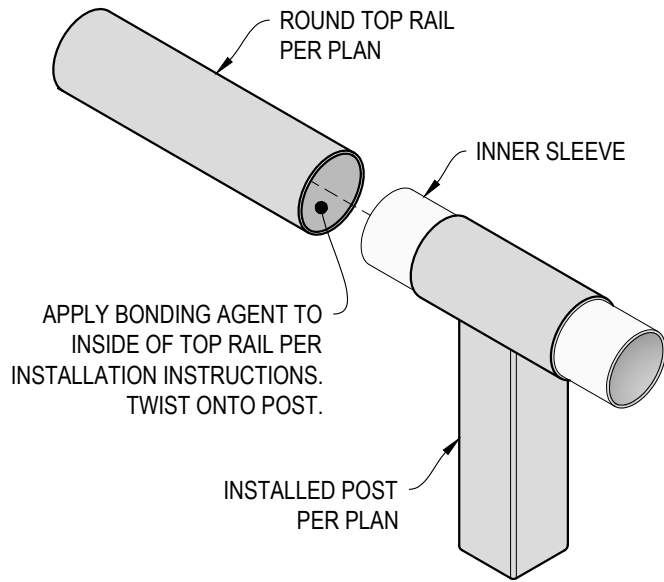
D FITTING INSTALLATION - VERTICAL PANEL RAIL SPLICE
DETAIL



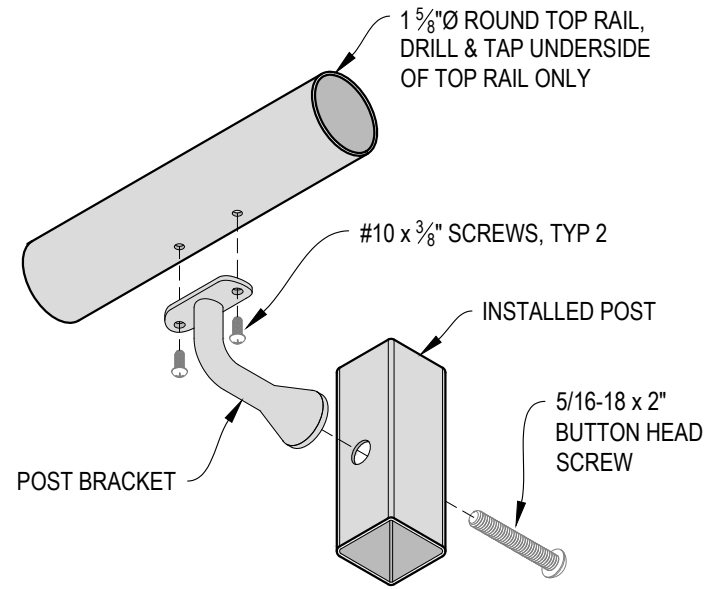
E FITTING INSTALLATION - OLYMPUS INSERT
DETAIL



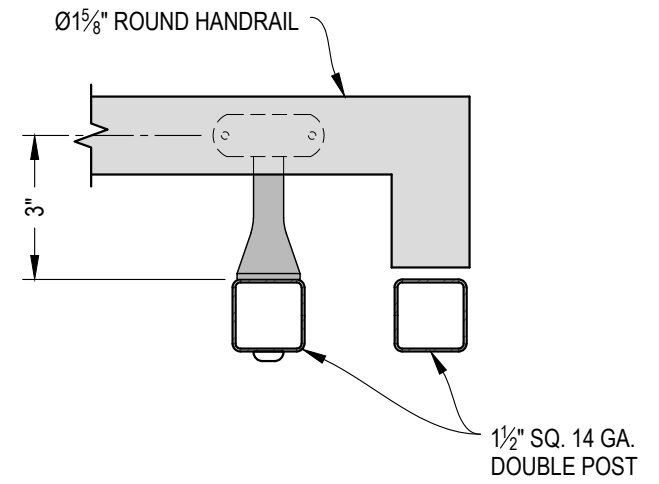
F FITTING INSTALLATION - MIDDLE SUPPORT TUBE
DETAIL



A TOP RAIL INSTALLATION - ROUND
DETAIL



B HANDRAIL POST BRACKET INSTALLATION - ROUND
DETAIL



NOTE: VIEW MAY BE MIRRORED

C TYPICAL HANDRAIL RETURN - ROUND
DETAIL

7873 NEDAY ROAD
BAINBRIDGE ISLAND, WA 98110
PHONE - (888) 842-9492
WWW.AGSSTAINLESS.COM



VERTICAL OLYMPUS SPECIFICATION DRAWING
** COMMERCIAL **

42" CORE DRILL - ROUND TOP

DWG #	CD42RC
SCALE	NONE
DATE	2026
SHEET	