

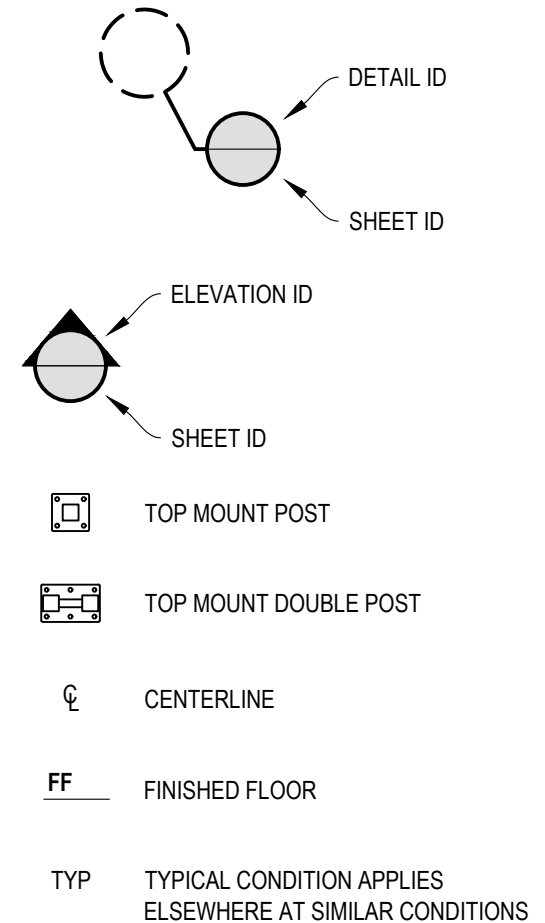
1 **EXAMPLE POST LAYOUT**
PLAN VIEW

AGS Stainless Clearview® Railing Systems are designed to meet the requirements of the latest edition of the IRC/IBC.

NOTES:

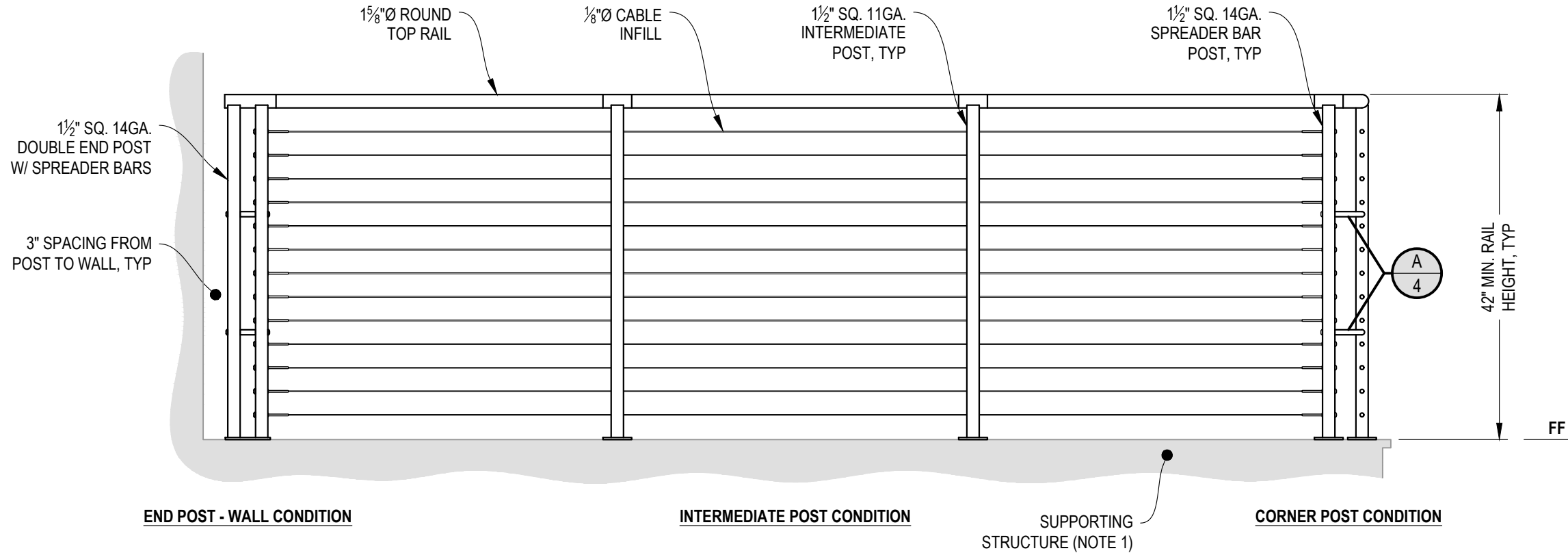
1. TOP RAIL NOT SHOWN FOR CLARITY.
2. ALL PARTS AND COMPONENTS MADE WITH 316 STAINLESS STEEL UNLESS NOTED OTHERWISE.

LEGEND

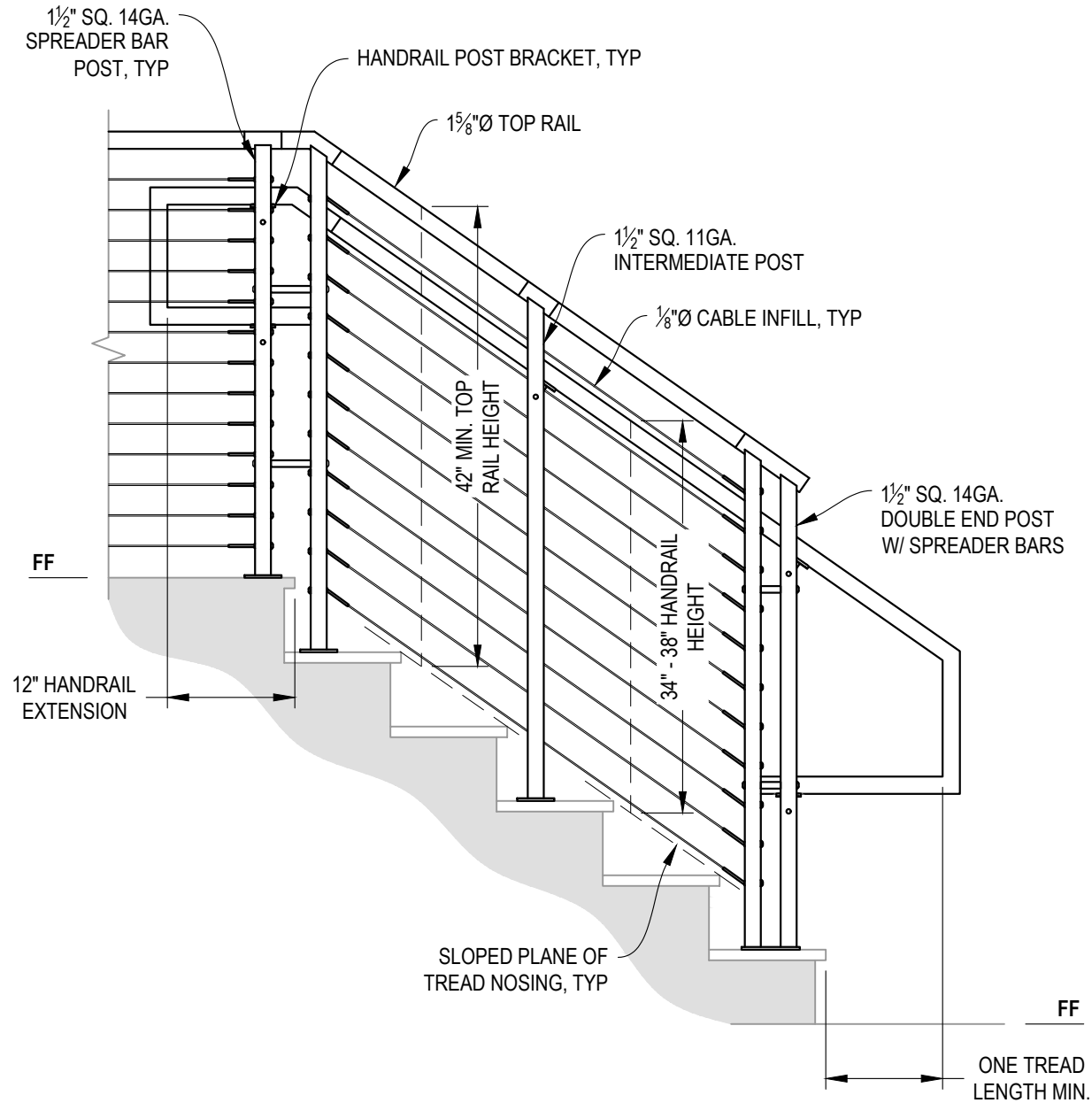


NOTES:

1. DECK STRUCTURE CAN VARY GREATLY. IT IS THE RESPONSIBILITY OF THE CUSTOMER TO VERIFY THAT THE SUPPORTING STRUCTURE IS ADEQUATE TO MEET THE LOAD REQUIREMENTS OF THE GOVERNING BUILDING CODE(S). *AGS Stainless Inc.* RECOMMENDS CONSULTING A DESIGN OR CONSTRUCTION PROFESSIONAL TO ADDRESS THESE ISSUES.



A TYPICAL RAILING CONDITION ELEVATION



A STAIR ELEVATION

NOTES:

1. STAIR CONSTRUCTION VARIES GREATLY. AS-BUILT CONDITIONS MAY ALTER RAILING DESIGN, INCLUDING POST LOCATION & MOUNTING, INFILL SPACING, AND TOP RAIL LAYOUT.

7873 NEDAY ROAD
 BAINBRIDGE ISLAND, WA 98110
 PHONE - (888) 842-9492
 WWW.AGSSSTAINLESS.COM



RAINIER SPECIFICATION DRAWING

** COMMERCIAL **

42" TOP MOUNT - ROUND TOP

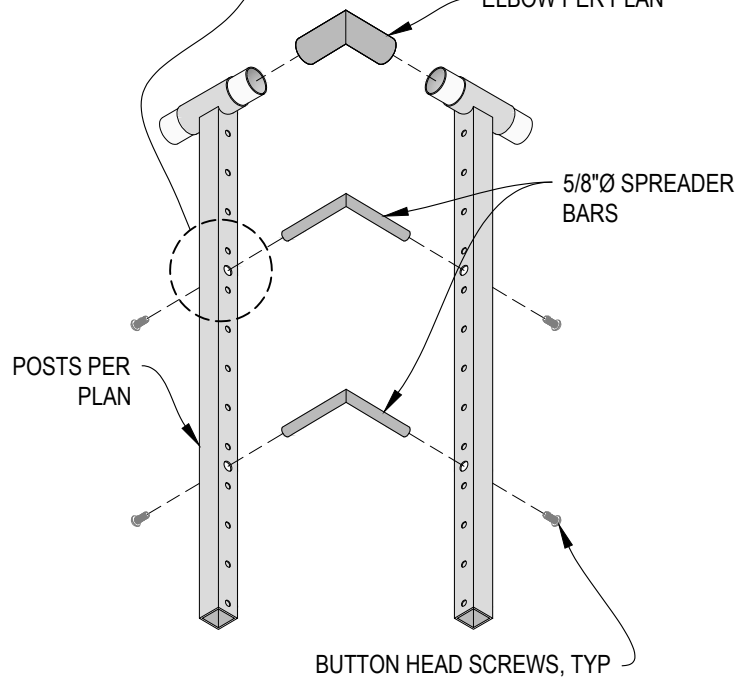
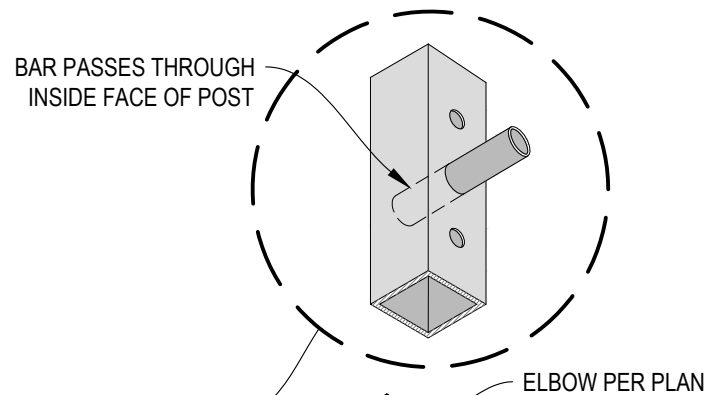
DWG # TM42RC

SCALE NONE

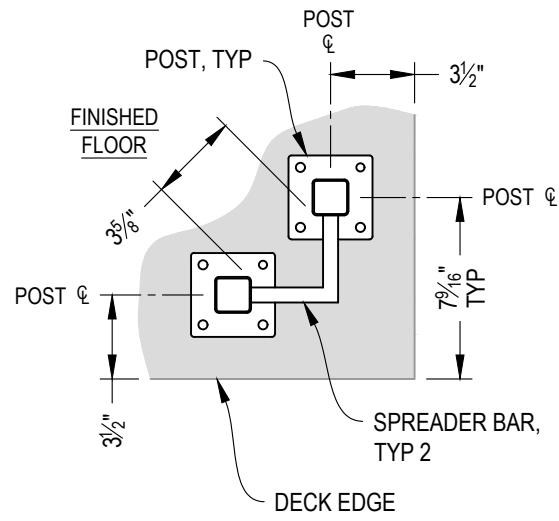
DATE 2026

SHEET

3 OF **5**

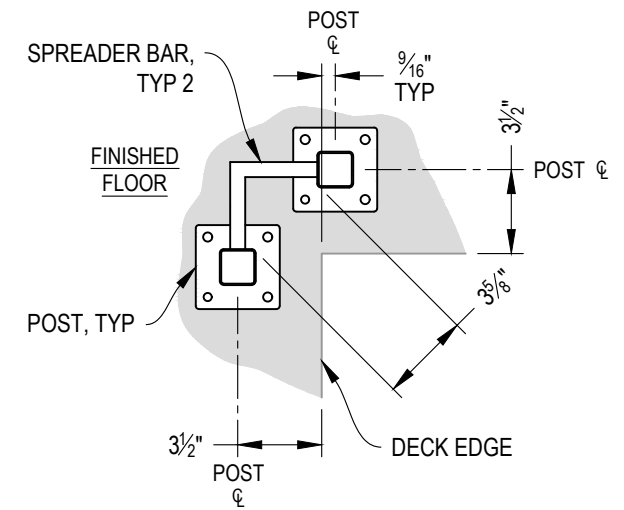


A CORNER POST ASSEMBLY
DETAIL



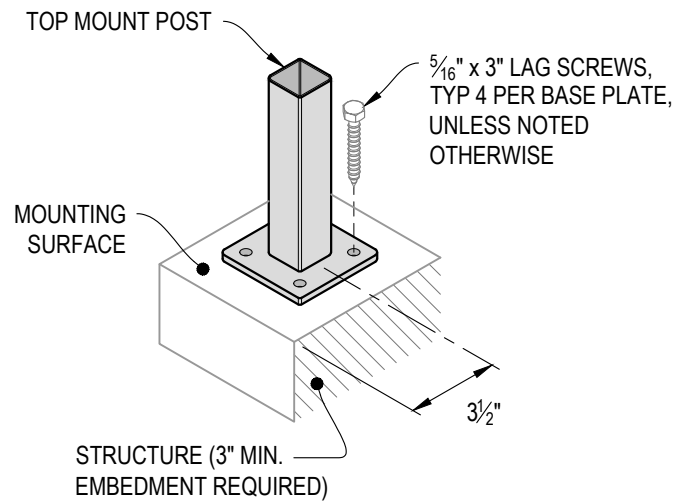
NOTE: 90° SHOWN, OTHER ANGLES SIMILAR

B TYPICAL 90° TOP MOUNT OUTSIDE CORNER
DETAIL

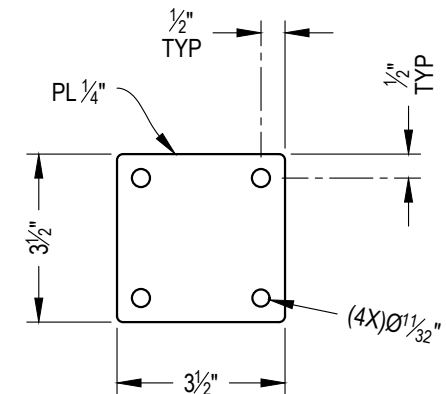


NOTE: 90° SHOWN, OTHER ANGLES SIMILAR

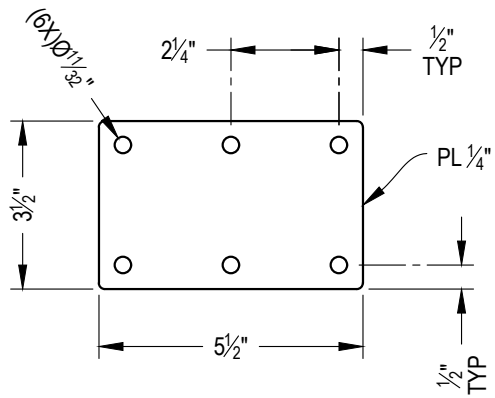
C TYPICAL 90° TOP MOUNT INSIDE CORNER
DETAIL



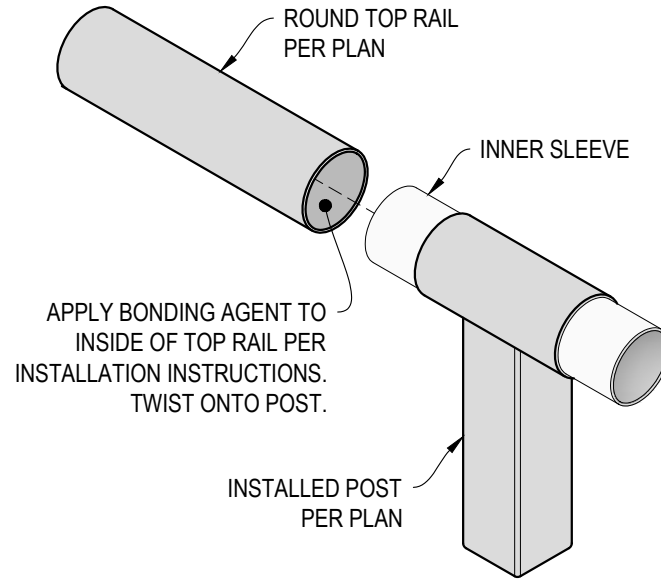
D TYPICAL POST MOUNTING - TOP MOUNT
DETAIL



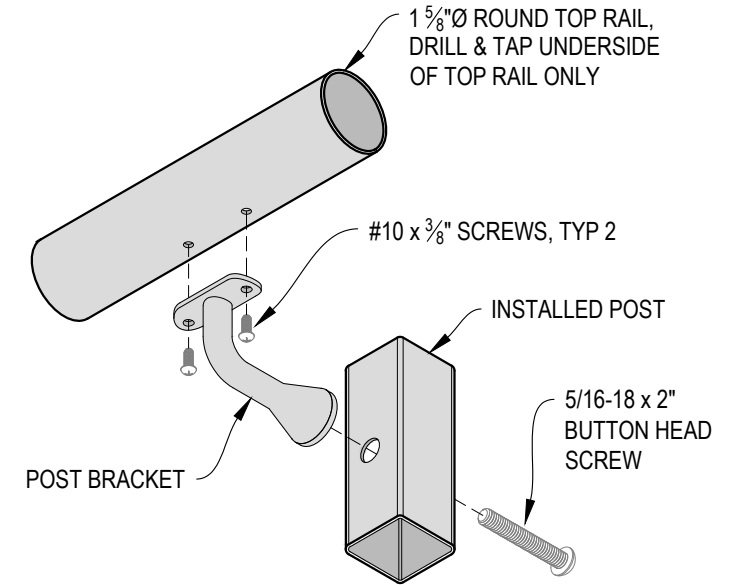
E TYPICAL BASE PLATE
DETAIL



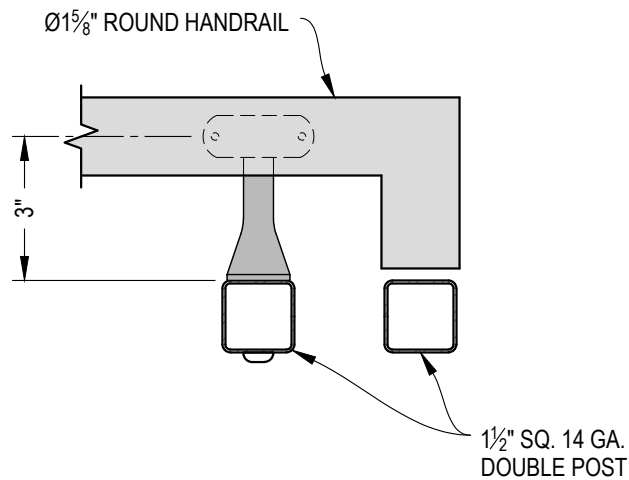
A TYPICAL DOUBLE BASE PLATE
DETAIL



B TOP RAIL INSTALLATION - ROUND
DETAIL

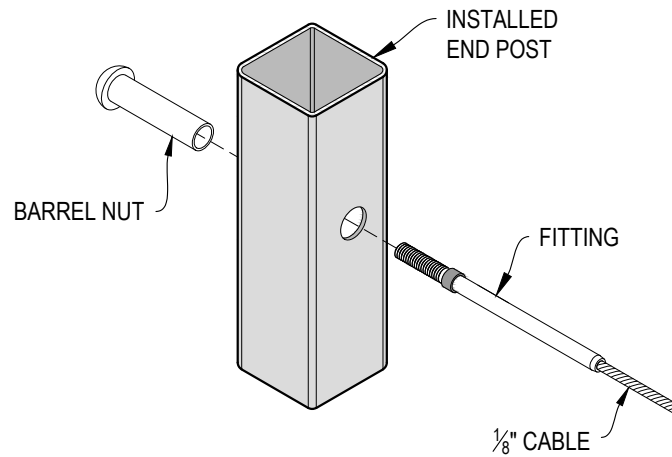


C HANDRAIL POST BRACKET INSTALLATION - ROUND
DETAIL



NOTE: VIEW MAY BE MIRRORED

D TYPICAL HANDRAIL RETURN - ROUND
DETAIL



E FITTING INSTALLATION - BARREL NUT
DETAIL