

**1** EXAMPLE POST LAYOUT  
PLAN VIEW

AGS Stainless Clearview® Railing Systems are designed to meet the requirements of the latest edition of the IRC/IBC.

**NOTES:**

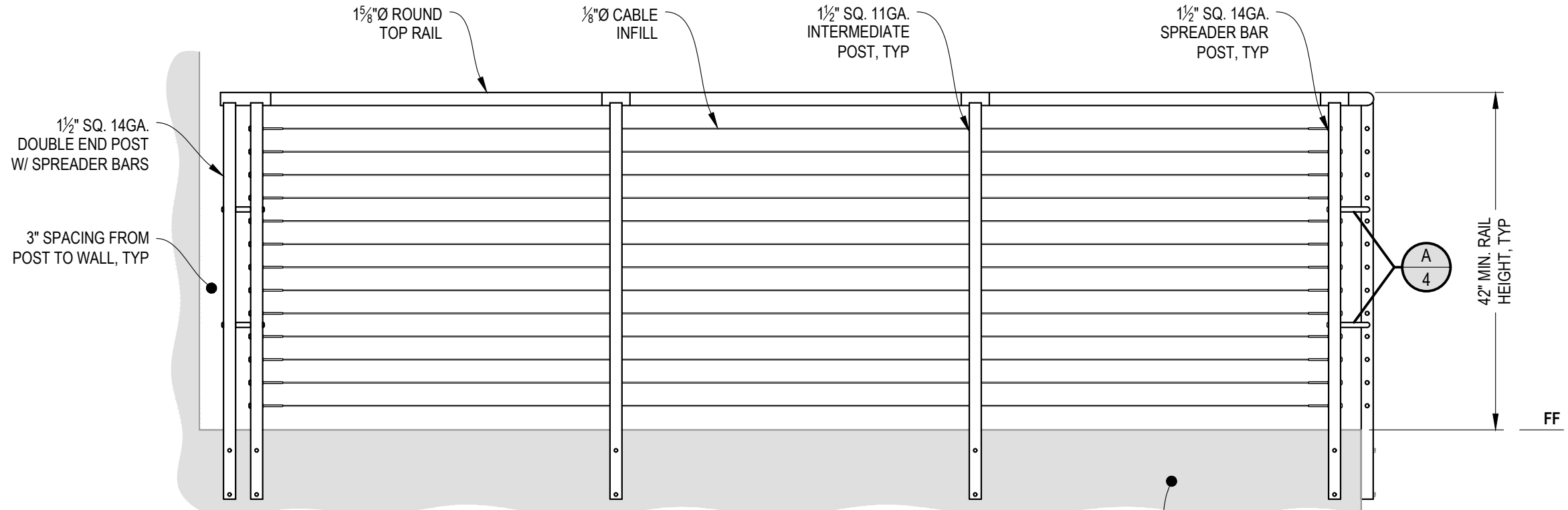
1. TOP RAIL NOT SHOWN FOR CLARITY.
2. ALL PARTS AND COMPONENTS MADE WITH 316 STAINLESS STEEL UNLESS NOTED OTHERWISE.

**LEGEND**

- DETAIL ID
- SHEET ID
- ELEVATION ID
- SHEET ID
- SIDE MOUNT POST
- SIDE MOUNT DOUBLE POST
- CENTERLINE
- FF** FINISHED FLOOR
- TYP TYPICAL CONDITION APPLIES ELSEWHERE AT SIMILAR CONDITIONS

**NOTES:**

1. DECK STRUCTURE CAN VARY GREATLY. IT IS THE RESPONSIBILITY OF THE CUSTOMER TO VERIFY THAT THE SUPPORTING STRUCTURE IS ADEQUATE TO MEET THE LOAD REQUIREMENTS OF THE GOVERNING BUILDING CODE(S). *AGS Stainless Inc.* RECOMMENDS CONSULTING A DESIGN OR CONSTRUCTION PROFESSIONAL TO ADDRESS THESE ISSUES.



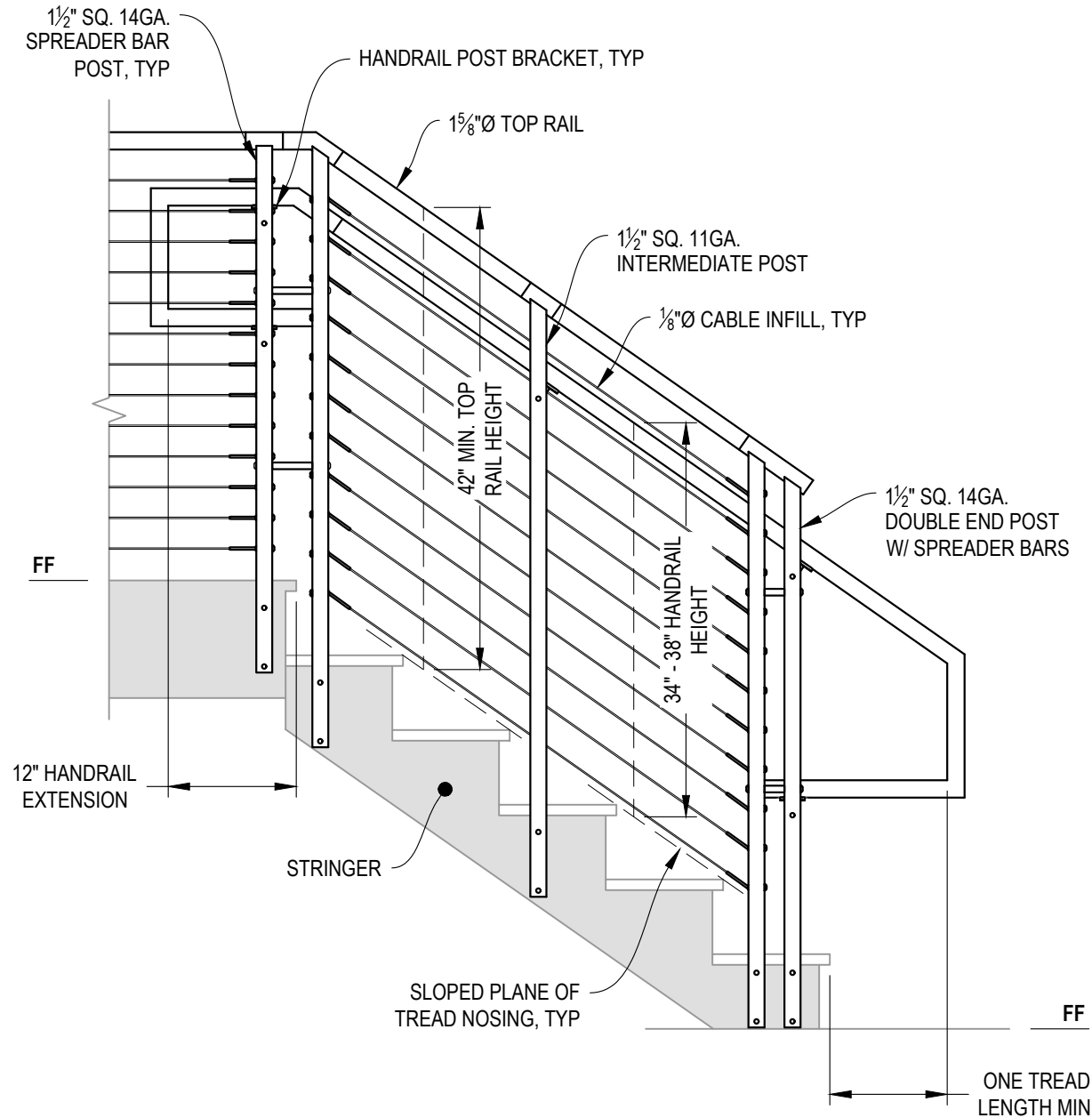
**END POST - WALL CONDITION**

**INTERMEDIATE POST CONDITION**

**SUPPORTING STRUCTURE (NOTE 1)**

**CORNER POST CONDITION**

**A TYPICAL RAILING CONDITION ELEVATION**



**A** STAIR ELEVATION

**NOTES:**

1. STAIR CONSTRUCTION VARIES GREATLY. AS-BUILT CONDITIONS MAY ALTER RAILING DESIGN, INCLUDING POST LOCATION & MOUNTING, INFILL SPACING, AND TOP RAIL LAYOUT.

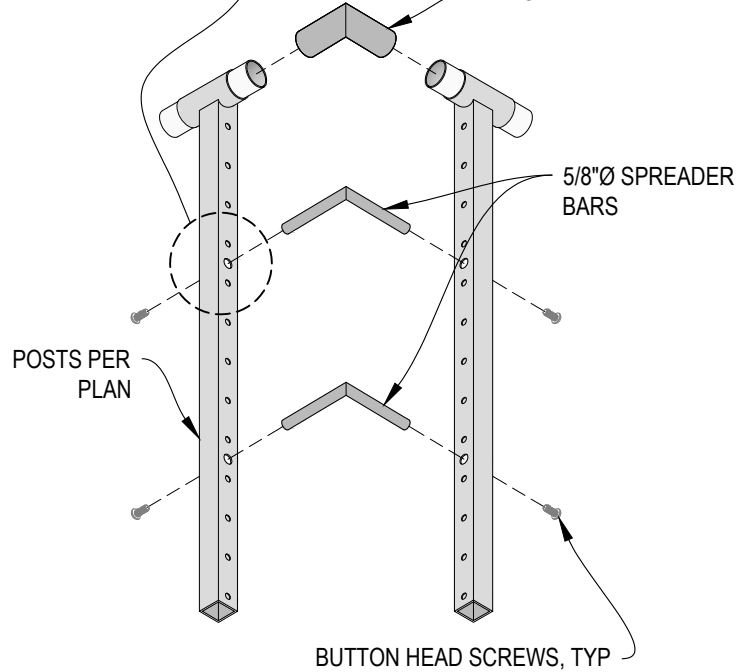
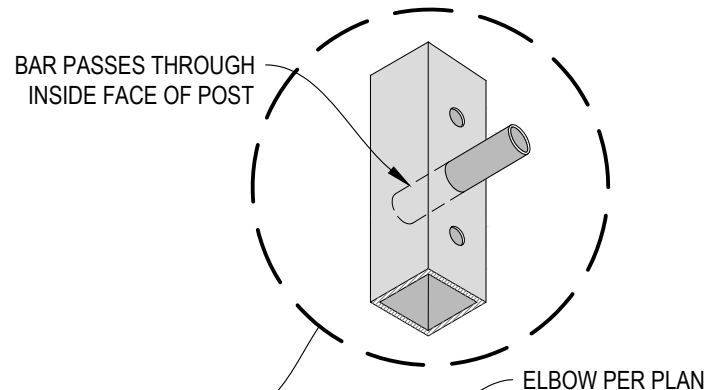
7873 NEDAY ROAD  
 BAINBRIDGE ISLAND, WA 98110  
 PHONE - (888) 842-9492  
 WWW.AGSSSTAINLESS.COM



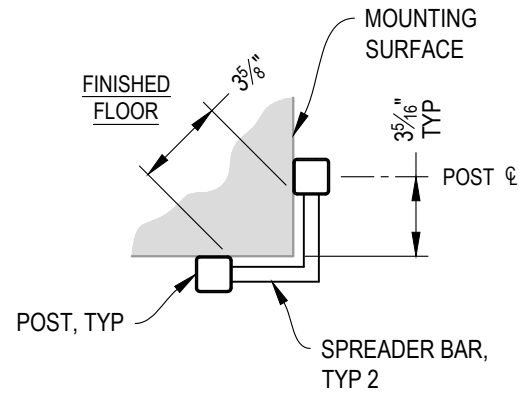
RAINIER SPECIFICATION DRAWING  
 \*\* COMMERCIAL \*\*

42" SIDE MOUNT - ROUND TOP

|       |        |
|-------|--------|
| DWG # | SM42RC |
| SCALE | NONE   |
| DATE  | 2026   |
| SHEET |        |

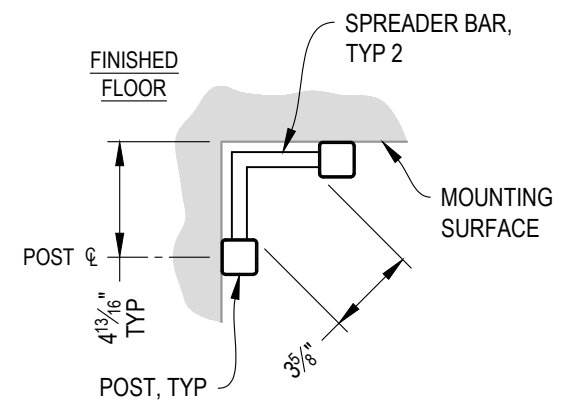


**A** CORNER POST ASSEMBLY  
DETAIL



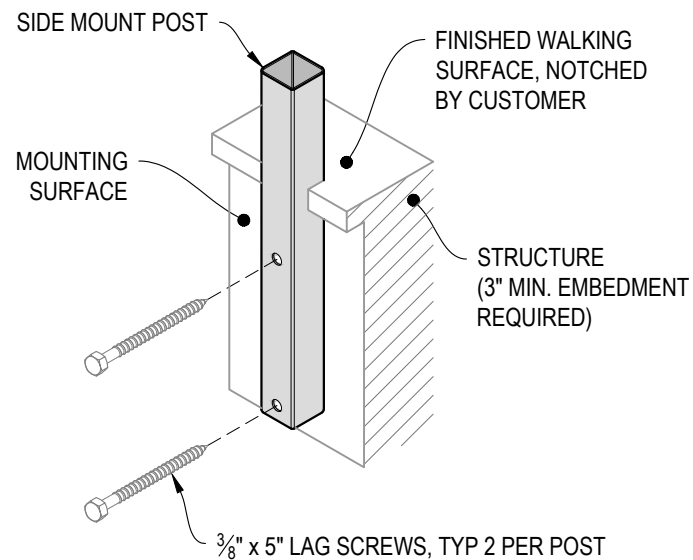
NOTE: 90° SHOWN, OTHER ANGLES SIMILAR

**B** TYPICAL 90° SIDE MOUNT OUTSIDE CORNER  
DETAIL

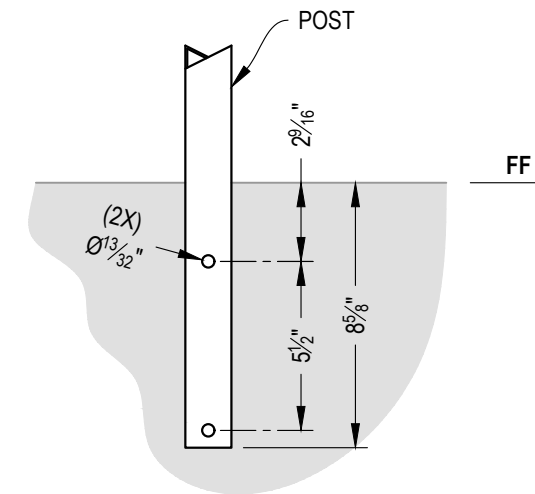


NOTE: 90° SHOWN, OTHER ANGLES SIMILAR

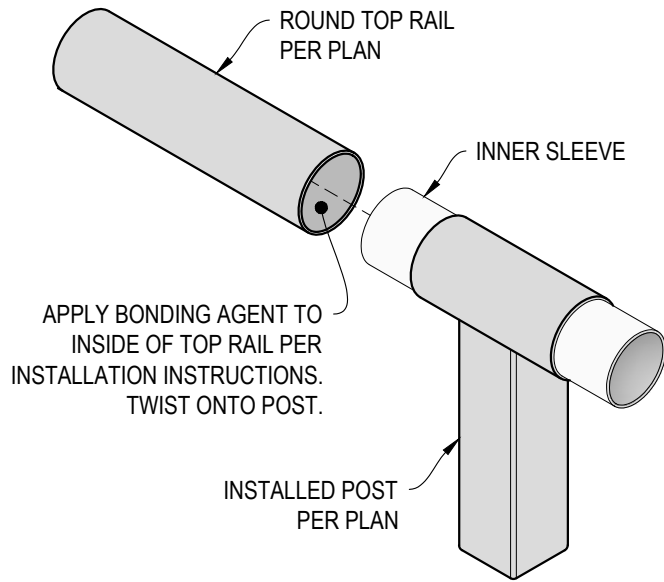
**C** TYPICAL 90° SIDE MOUNT INSIDE CORNER  
DETAIL



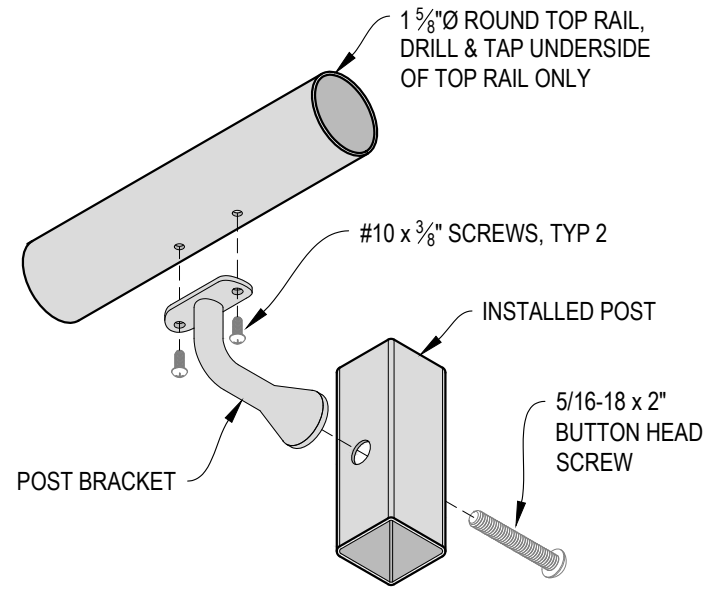
**D** TYPICAL POST MOUNTING - SIDE MOUNT  
DETAIL



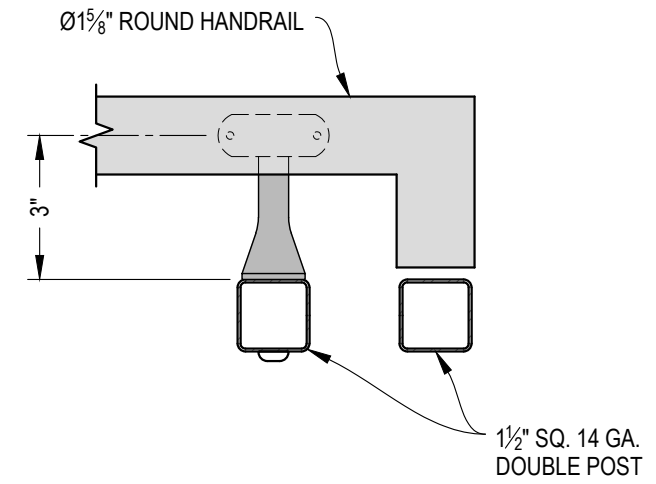
**E** TYPICAL POST MOUNTING - SIDE MOUNT  
DETAIL



**A** TOP RAIL INSTALLATION - ROUND  
DETAIL

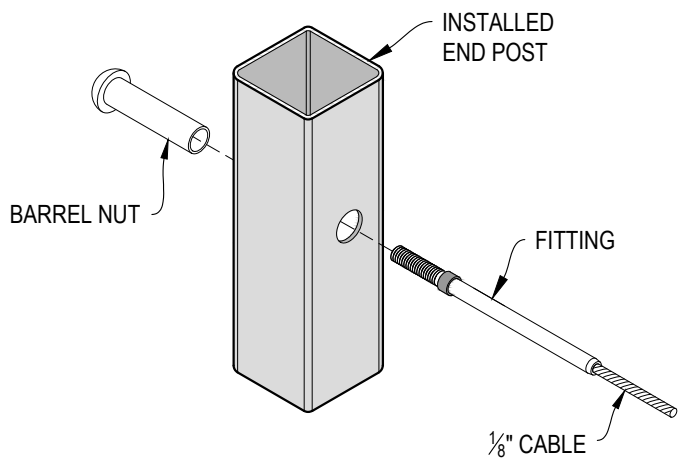


**B** HANDRAIL POST BRACKET INSTALLATION - ROUND  
DETAIL



**C** TYPICAL HANDRAIL RETURN - ROUND  
DETAIL

NOTE: VIEW MAY BE MIRRORED



**D** FITTING INSTALLATION - BARREL NUT  
DETAIL