

1 **EXAMPLE POST LAYOUT**
PLAN VIEW

AGS Stainless Clearview® Railing Systems are designed to meet the requirements of the latest edition of the IRC/IBC.

NOTES:

1. TOP RAIL NOT SHOWN FOR CLARITY.
2. ALL PARTS AND COMPONENTS MADE WITH 316 STAINLESS STEEL UNLESS NOTED OTHERWISE.

LEGEND

- DETAIL ID
- SHEET ID
- ELEVATION ID
- TOP MOUNT POST
- TOP MOUNT DOUBLE POST
- CENTERLINE
- FINISHED FLOOR
- TYPICAL CONDITION APPLIES ELSEWHERE AT SIMILAR CONDITIONS

7873 NE DAY ROAD
BAINBRIDGE ISLAND, WA 98110
PHONE - (888) 842-9492
WWW.AGSSTAINLESS.COM

AGS stainless
CLEARVIEW® Railing Systems

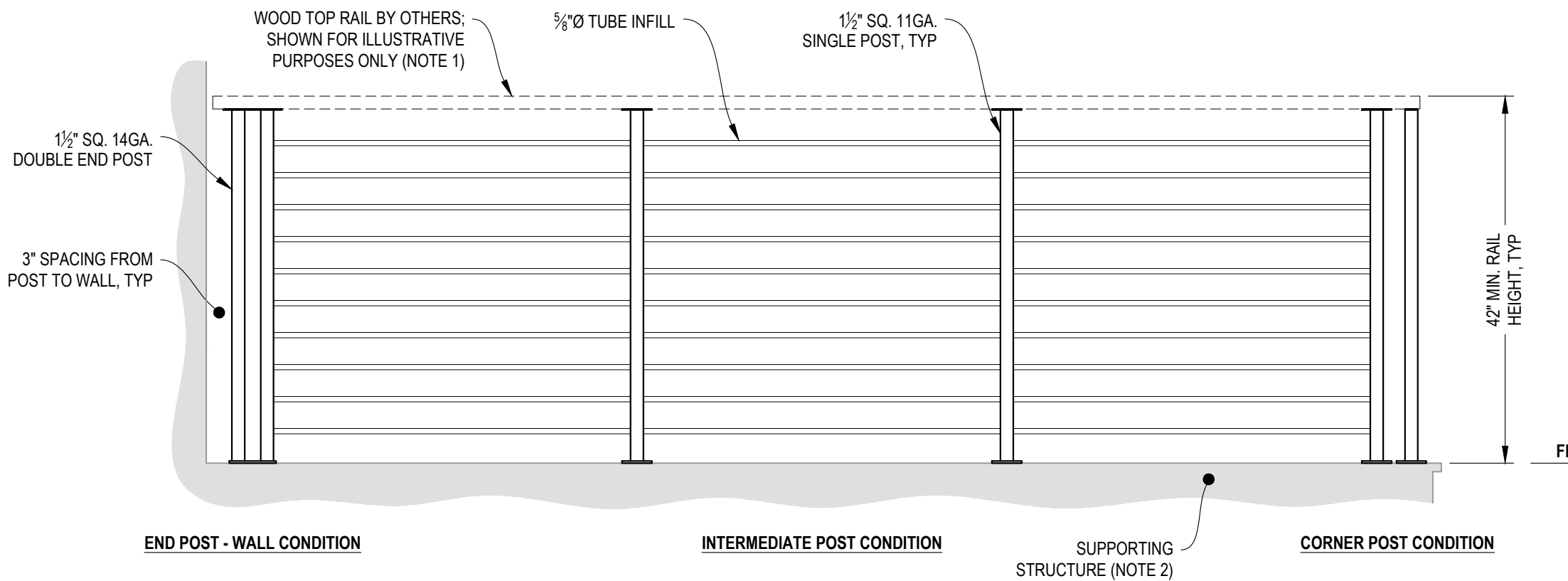
OLYMPUS SPECIFICATION DRAWING
** COMMERCIAL **

42" TOP MOUNT - WOOD TOP

DWG #	TM42WC
SCALE	NONE
DATE	2026
SHEET	1 OF 5

NOTES:

1. TOP RAIL SHOULD BE SELECTED SO THAT ALL GOVERNING CODE REQUIREMENTS ARE SATISFIED. THESE INCLUDE SHAPE, STRENGTH AND RAILING HEIGHT.
2. DECK STRUCTURE CAN VARY GREATLY. IT IS THE RESPONSIBILITY OF THE CUSTOMER TO VERIFY THAT THE SUPPORTING STRUCTURE IS ADEQUATE TO MEET THE LOAD REQUIREMENTS OF THE GOVERNING BUILDING CODE(S). AGS Stainless Inc. RECOMMENDS CONSULTING A DESIGN OR CONSTRUCTION PROFESSIONAL TO ADDRESS THESE ISSUES.

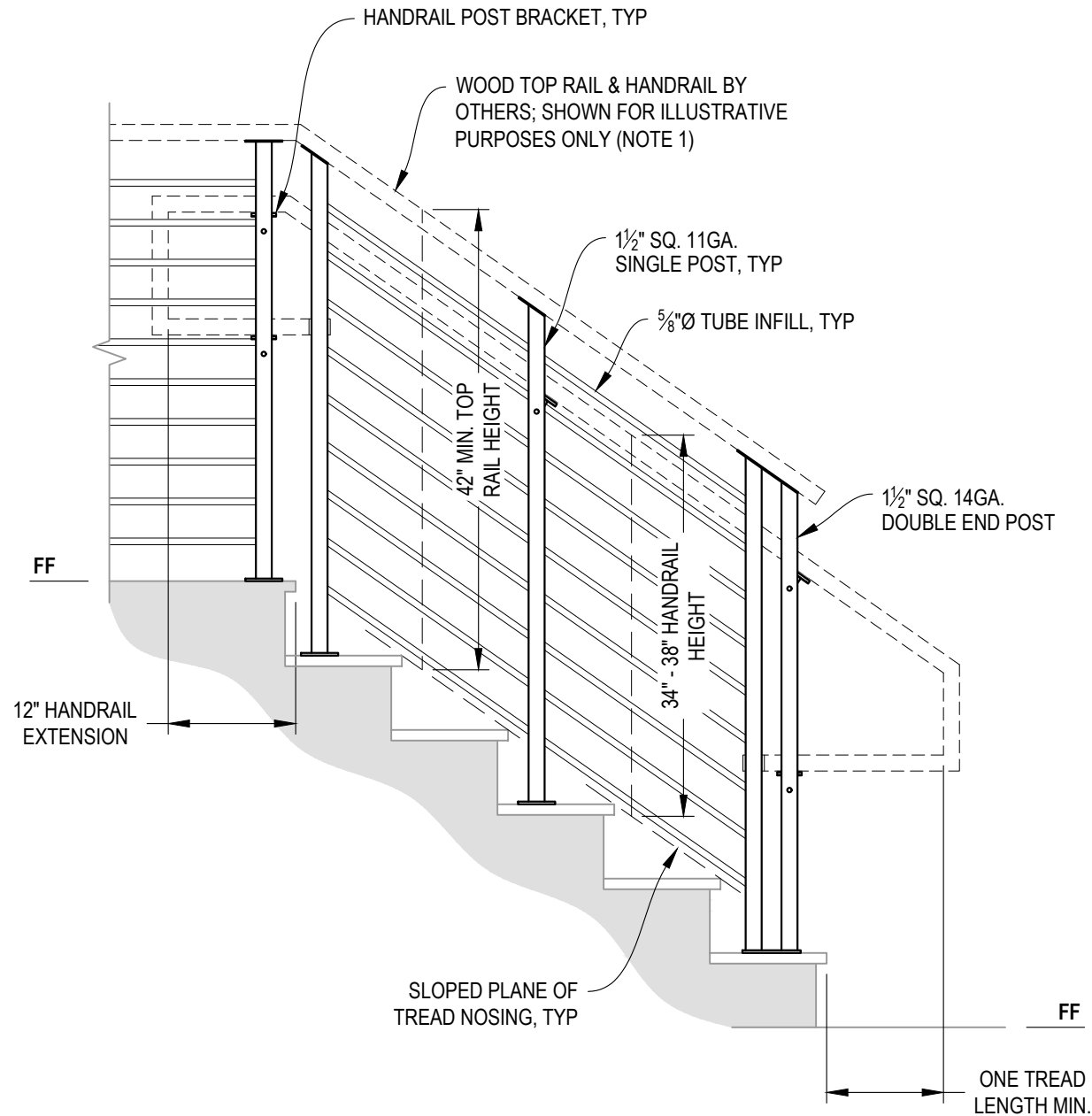


A **TYPICAL RAILING CONDITION**
 ELEVATION

OLYMPUS SPECIFICATION DRAWING
 ** COMMERCIAL **

42" TOP MOUNT - WOOD TOP

DWG #	TM42WC
SCALE	NONE
DATE	2026
SHEET	



A STAIR ELEVATION

NOTES:

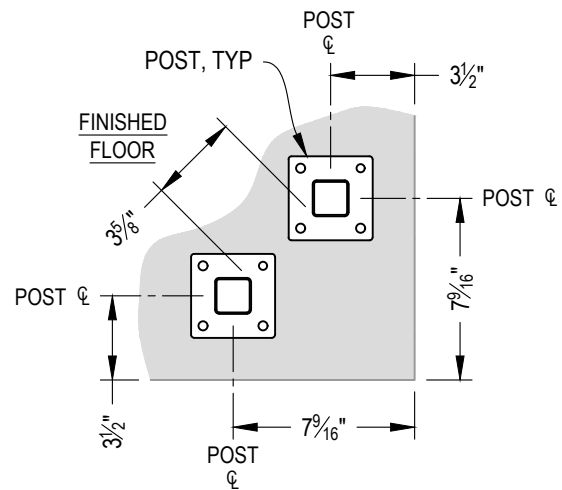
1. TOP RAIL SHOULD BE SELECTED SO THAT ALL GOVERNING CODE REQUIREMENTS ARE SATISFIED. THESE INCLUDE SHAPE, STRENGTH, AND RAILING HEIGHT.
2. STAIR CONSTRUCTION VARIES GREATLY. AS-BUILT CONDITIONS MAY ALTER RAILING DESIGN, INCLUDING POST LOCATION & MOUNTING, INFILL SPACING, AND TOP RAIL LAYOUT.

7873 NE DAY ROAD
BAINBRIDGE ISLAND, WA 98110
PHONE - (888) 842-9492
WWW.AGSSTAINLESS.COM

AGS stainless
CLEARVIEW® Railing Systems

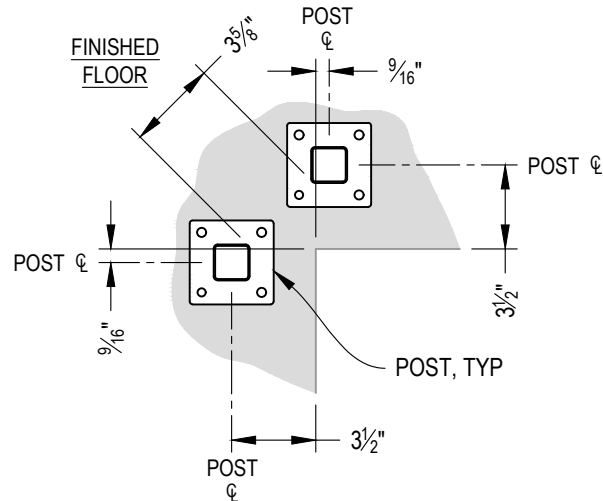
OLYMPUS SPECIFICATION DRAWING
** COMMERCIAL **
42" TOP MOUNT - WOOD TOP

DWG # TM42WC
SCALE NONE
DATE 2026
SHEET 3 OF 5



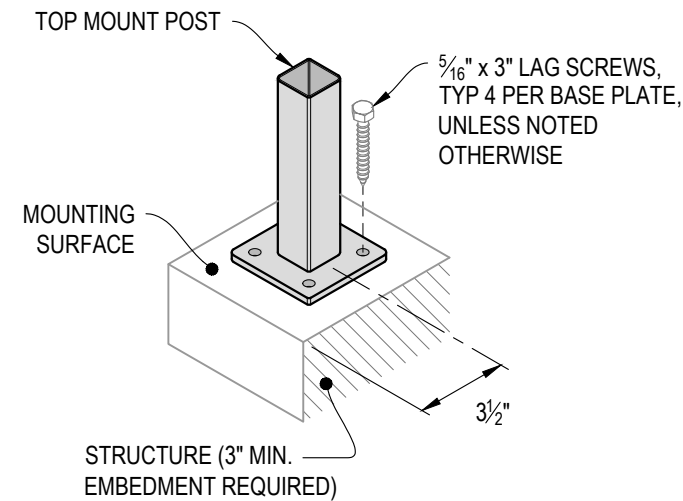
NOTE: 90° SHOWN, OTHER ANGLES SIMILAR

A TYPICAL 90° TOP MOUNT OUTSIDE CORNER
DETAIL

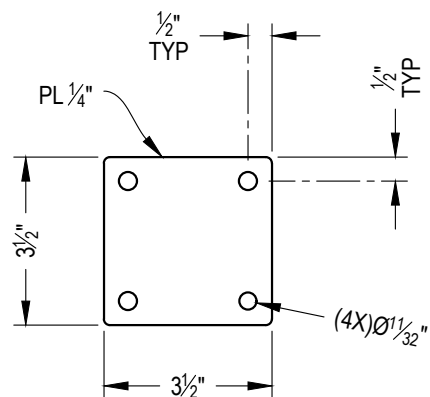


NOTE: 90° SHOWN, OTHER ANGLES SIMILAR

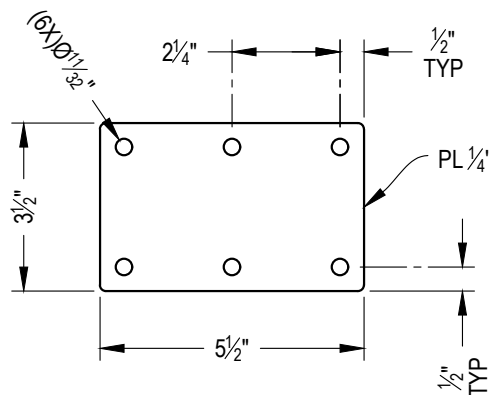
B TYPICAL 90° TOP MOUNT INSIDE CORNER
DETAIL



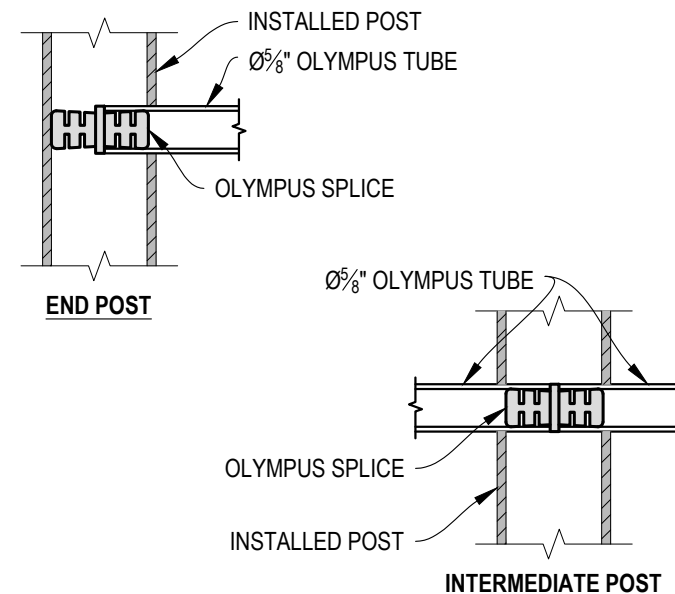
C TYPICAL POST MOUNTING - TOP MOUNT
DETAIL



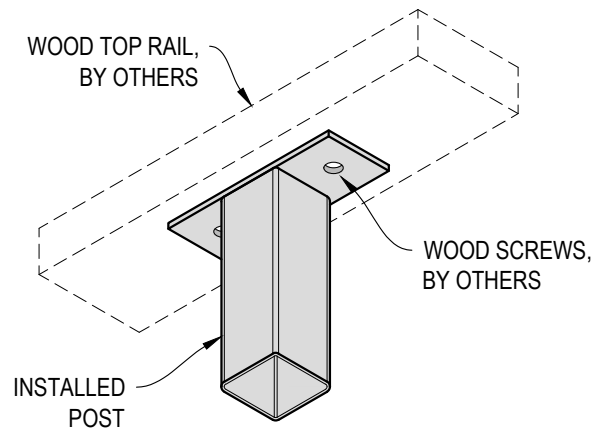
D TYPICAL BASE PLATE
DETAIL



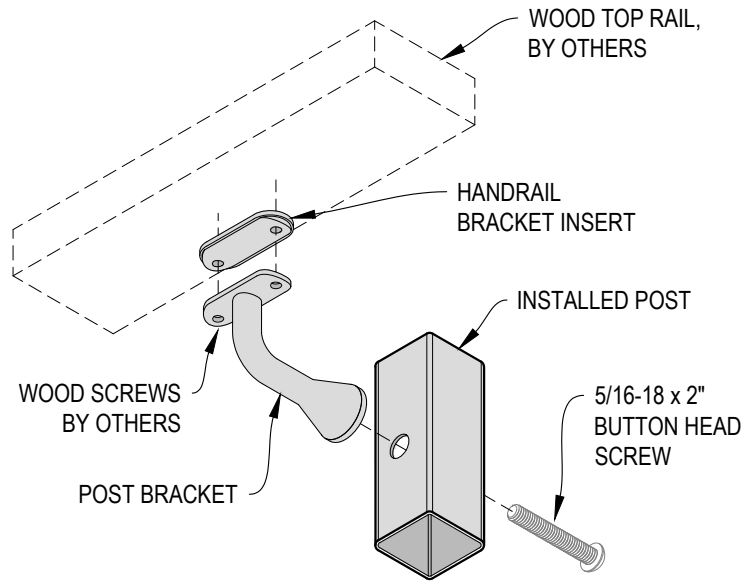
E TYPICAL DOUBLE BASE PLATE
DETAIL



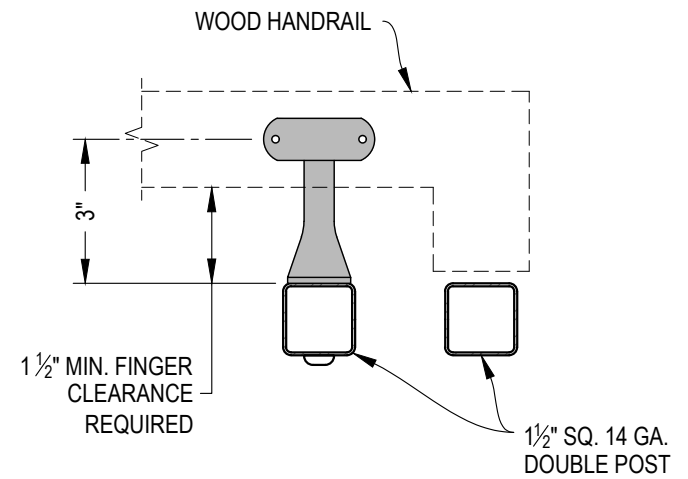
F FITTING INSTALLATION - OLYMPUS SPLICE
DETAIL



A TOP RAIL INSTALLATION - WOOD
DETAIL



B HANDRAIL POST BRACKET INSTALLATION - WOOD
DETAIL



NOTE: VIEW MAY BE MIRRORED

C TYPICAL HANDRAIL RETURN - WOOD
DETAIL

OLYMPUS SPECIFICATION DRAWING

** COMMERCIAL **

42" TOP MOUNT - WOOD TOP

DWG #
TM42WC
SCALE
NONE
DATE
2026
SHEET

5
OF 5

AGS stainless
CLEARVIEW® Railing Systems

7873 NEDAY ROAD
BAINBRIDGE ISLAND, WA 98110
PHONE - (888) 842-9492
WWW.AGSSTAINLESS.COM