

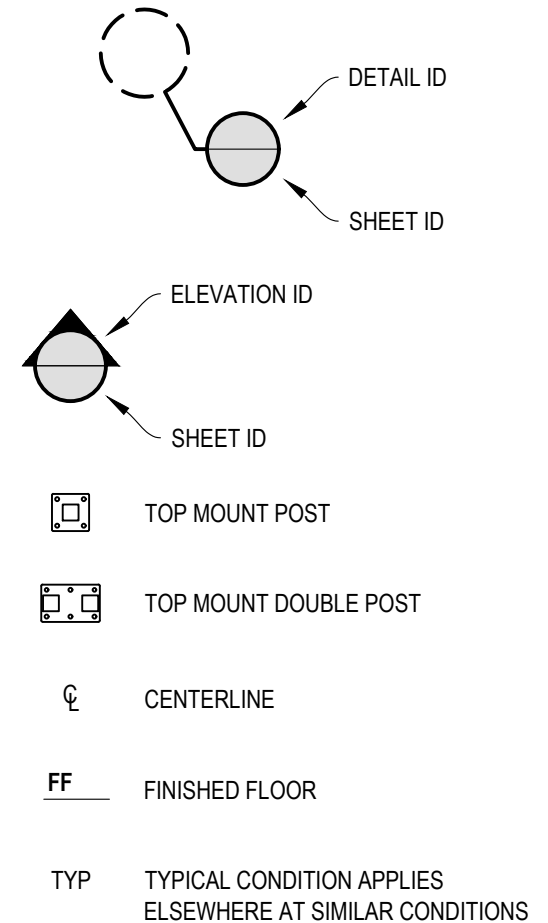
1 **EXAMPLE POST LAYOUT**
PLAN VIEW

AGS Stainless Clearview® Railing Systems are designed to meet the requirements of the latest edition of the IRC/IBC.

NOTES:

1. TOP RAIL NOT SHOWN FOR CLARITY.
2. ALL PARTS AND COMPONENTS MADE WITH 316 STAINLESS STEEL UNLESS NOTED OTHERWISE.

LEGEND



7873 NE DAY ROAD
BAINBRIDGE ISLAND, WA 98110
PHONE - (888) 842-9492
WWW.AGSSTAINLESS.COM

AGS stainless
CLEARVIEW® Railing Systems

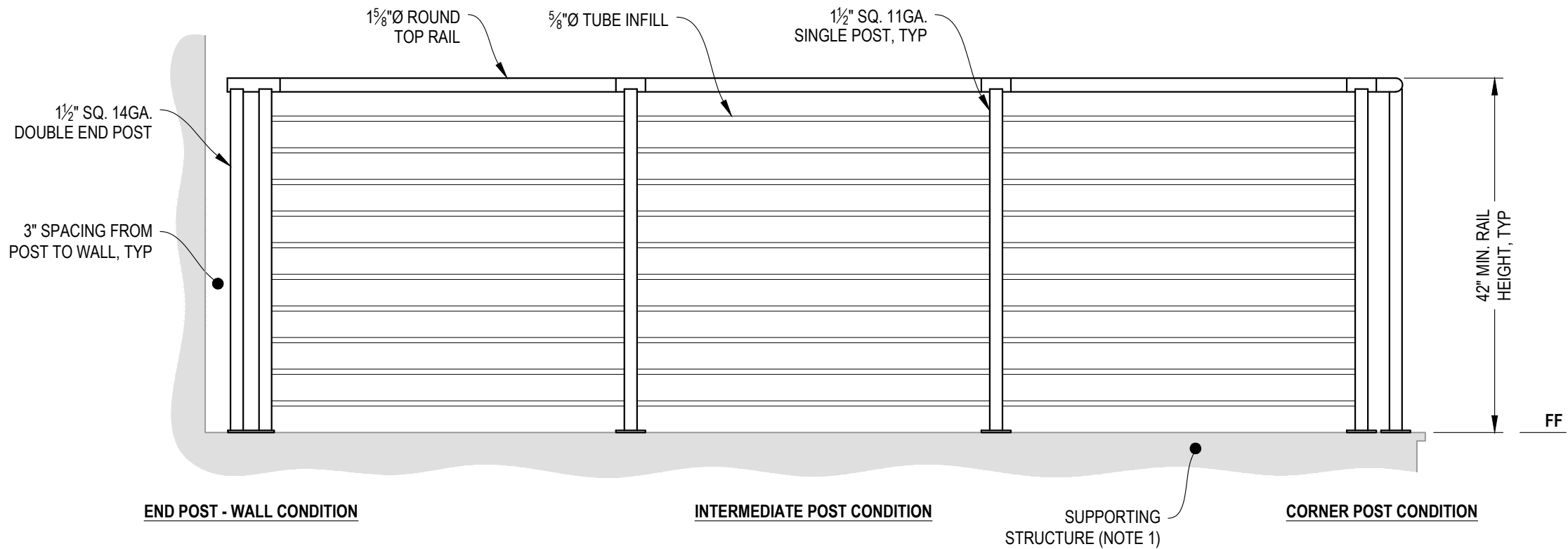
OLYMPUS SPECIFICATION DRAWING
**** COMMERCIAL ****

42" TOP MOUNT - ROUND TOP

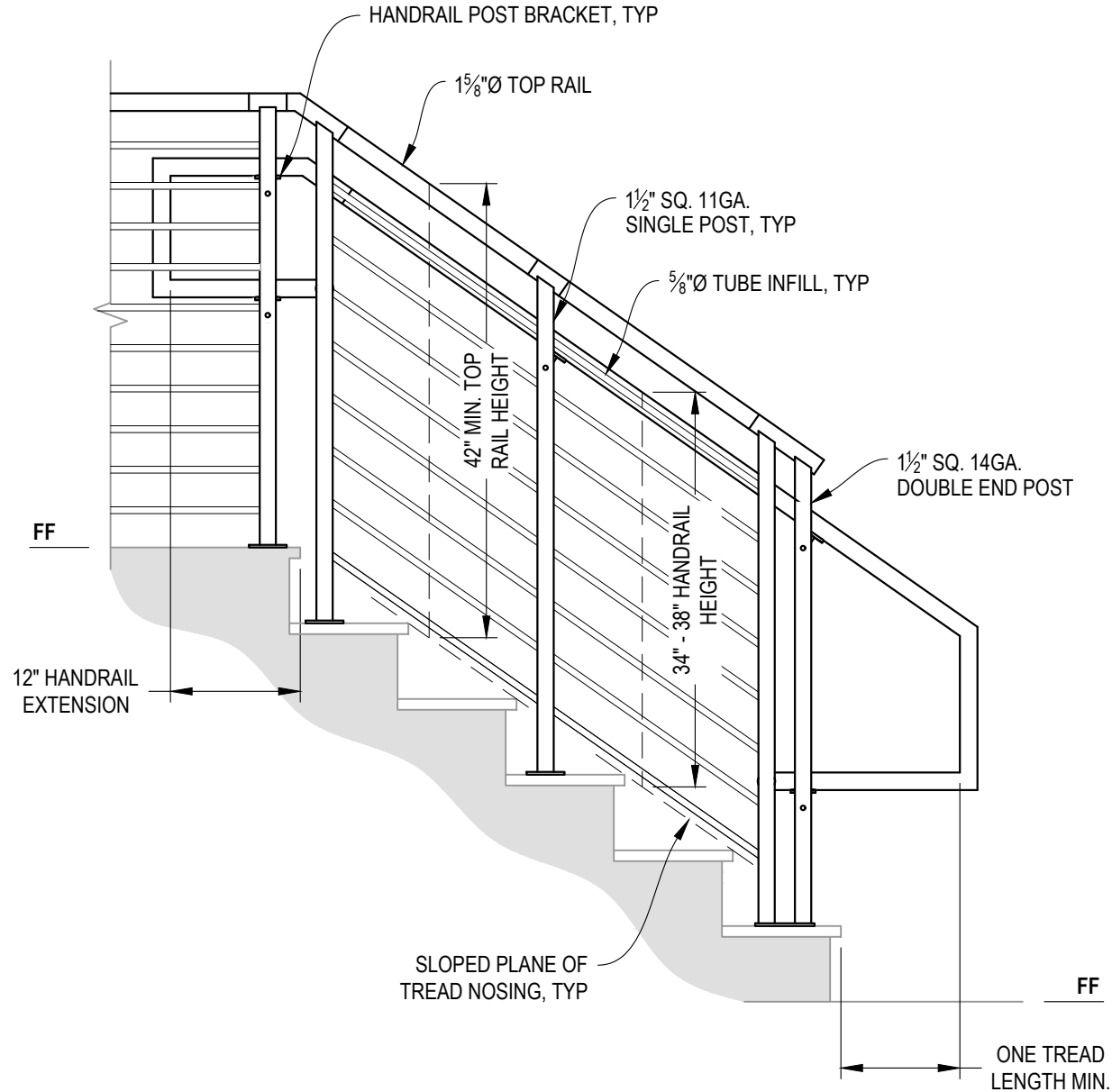
| | |
|-------|---------------|
| DWG # | TM42RC |
| SCALE | NONE |
| DATE | 2026 |
| SHEET | 1 OF 5 |

NOTES:

1. DECK STRUCTURE CAN VARY GREATLY. IT IS THE RESPONSIBILITY OF THE CUSTOMER TO VERIFY THAT THE SUPPORTING STRUCTURE IS ADEQUATE TO MEET THE LOAD REQUIREMENTS OF THE GOVERNING BUILDING CODE(S). *AGS Stainless Inc.* RECOMMENDS CONSULTING A DESIGN OR CONSTRUCTION PROFESSIONAL TO ADDRESS THESE ISSUES.



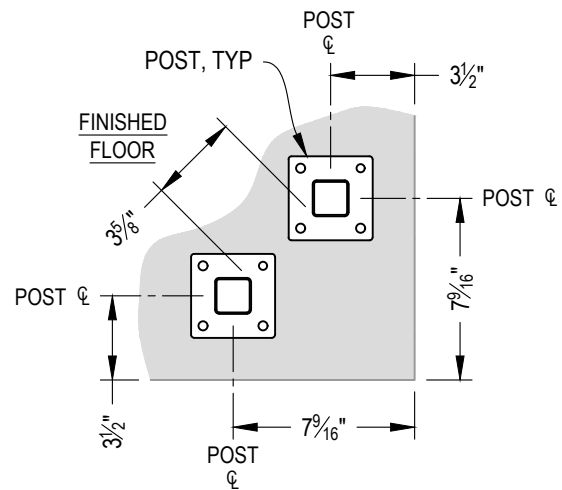
A TYPICAL RAILING CONDITION
ELEVATION



A STAIR
ELEVATION

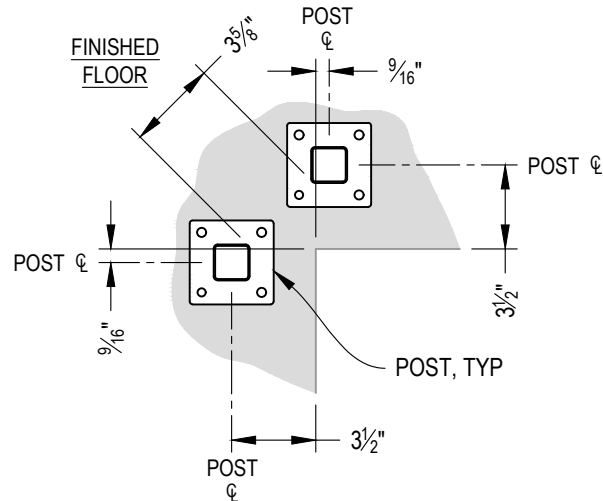
NOTES:

1. STAIR CONSTRUCTION VARIES GREATLY. AS-BUILT CONDITIONS MAY ALTER RAILING DESIGN, INCLUDING POST LOCATION & MOUNTING, INFILL SPACING, AND TOP RAIL LAYOUT.



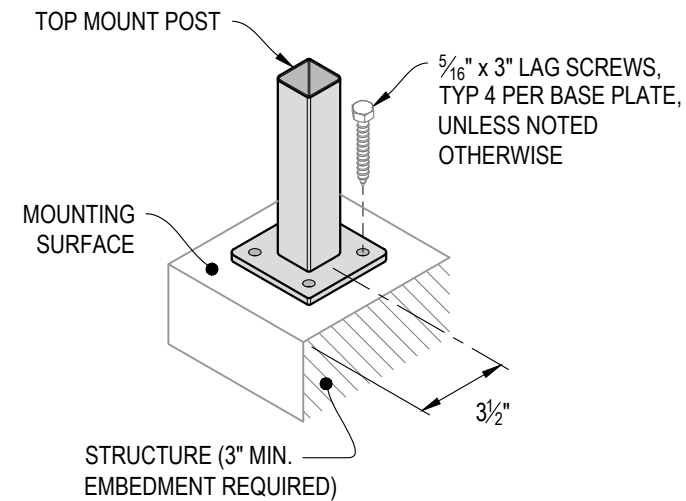
NOTE: 90° SHOWN, OTHER ANGLES SIMILAR

A TYPICAL 90° TOP MOUNT OUTSIDE CORNER
DETAIL



NOTE: 90° SHOWN, OTHER ANGLES SIMILAR

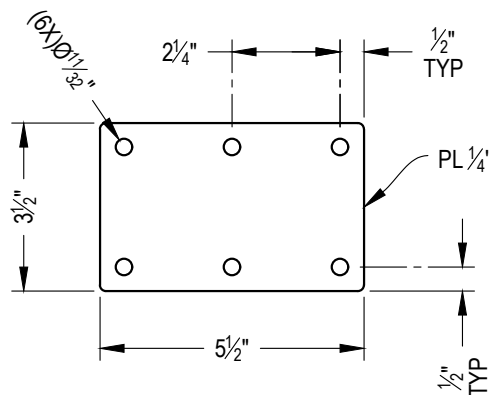
B TYPICAL 90° TOP MOUNT INSIDE CORNER
DETAIL



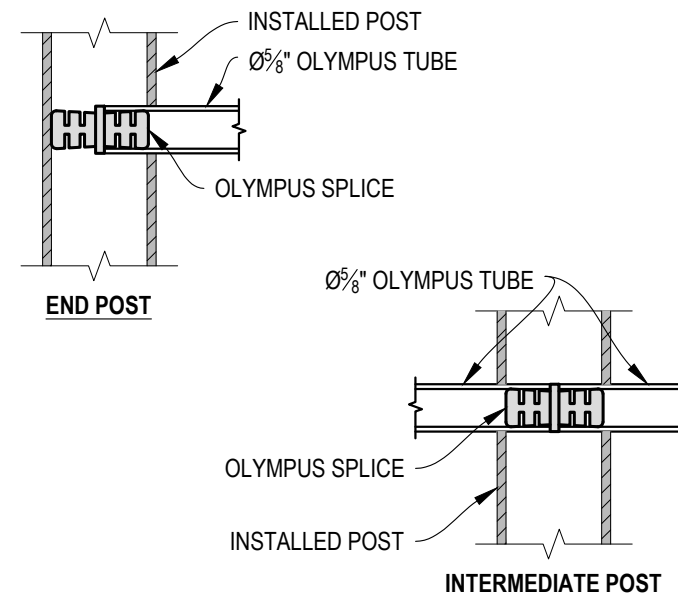
C TYPICAL POST MOUNTING - TOP MOUNT
DETAIL



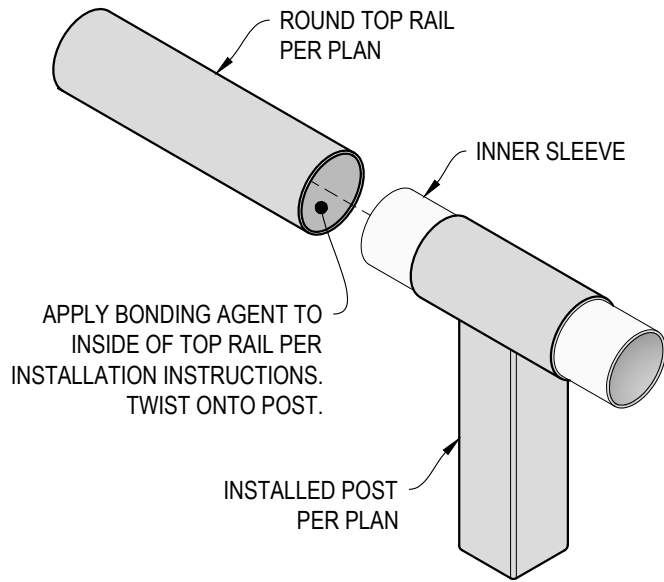
D TYPICAL BASE PLATE
DETAIL



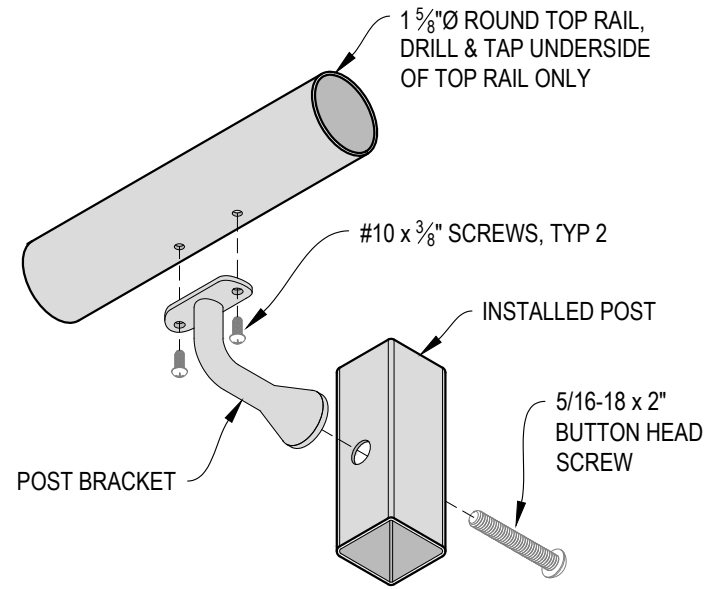
E TYPICAL DOUBLE BASE PLATE
DETAIL



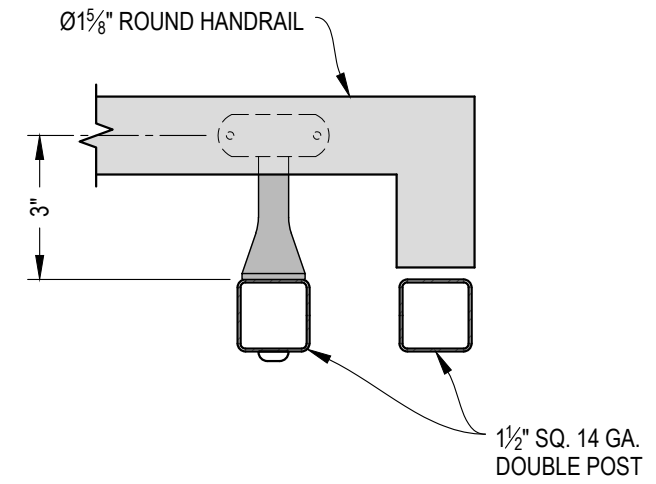
F FITTING INSTALLATION - OLYMPUS SPLICE
DETAIL



A TOP RAIL INSTALLATION - ROUND
DETAIL



B HANDRAIL POST BRACKET INSTALLATION - ROUND
DETAIL



NOTE: VIEW MAY BE MIRRORED

C TYPICAL HANDRAIL RETURN - ROUND
DETAIL

7873 NEDAY ROAD
BAINBRIDGE ISLAND, WA 98110
PHONE - (888) 842-9492
WWW.AGSSTAINLESS.COM



OLYMPUS SPECIFICATION DRAWING
** COMMERCIAL **
42" TOP MOUNT - ROUND TOP

DWG # TM42RC
SCALE NONE
DATE 2026
SHEET