

1 EXAMPLE POST LAYOUT
PLAN VIEW

NOTES:

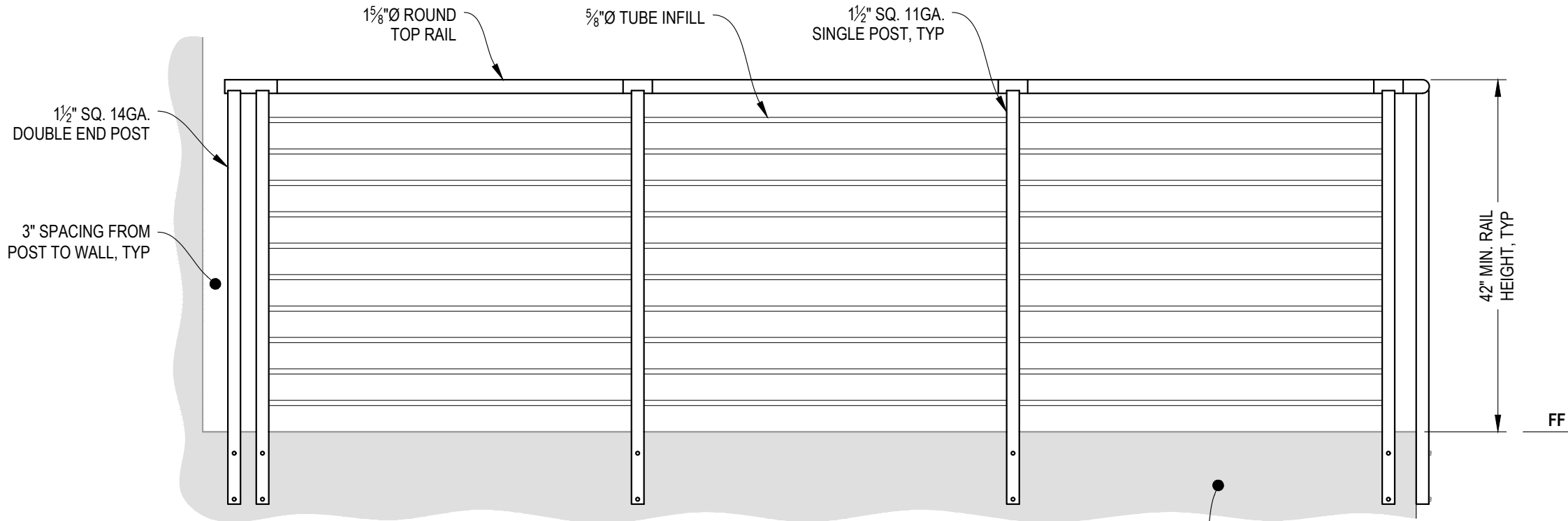
1. TOP RAIL NOT SHOWN FOR CLARITY.
2. ALL PARTS AND COMPONENTS MADE WITH 316 STAINLESS STEEL UNLESS NOTED OTHERWISE.

LEGEND

- DETAIL ID
- SHEET ID
- ELEVATION ID
- SHEET ID
- SIDE MOUNT POST
- SIDE MOUNT DOUBLE POST
- CENTERLINE
- FINISHED FLOOR
- TYP TYPICAL CONDITION APPLIES ELSEWHERE AT SIMILAR CONDITIONS

NOTES:

1. DECK STRUCTURE CAN VARY GREATLY. IT IS THE RESPONSIBILITY OF THE CUSTOMER TO VERIFY THAT THE SUPPORTING STRUCTURE IS ADEQUATE TO MEET THE LOAD REQUIREMENTS OF THE GOVERNING BUILDING CODE(S). *AGS Stainless Inc.* RECOMMENDS CONSULTING A DESIGN OR CONSTRUCTION PROFESSIONAL TO ADDRESS THESE ISSUES.



END POST - WALL CONDITION

INTERMEDIATE POST CONDITION

CORNER POST CONDITION

A TYPICAL RAILING CONDITION ELEVATION

OLYMPUS SPECIFICATION DRAWING
** COMMERCIAL **

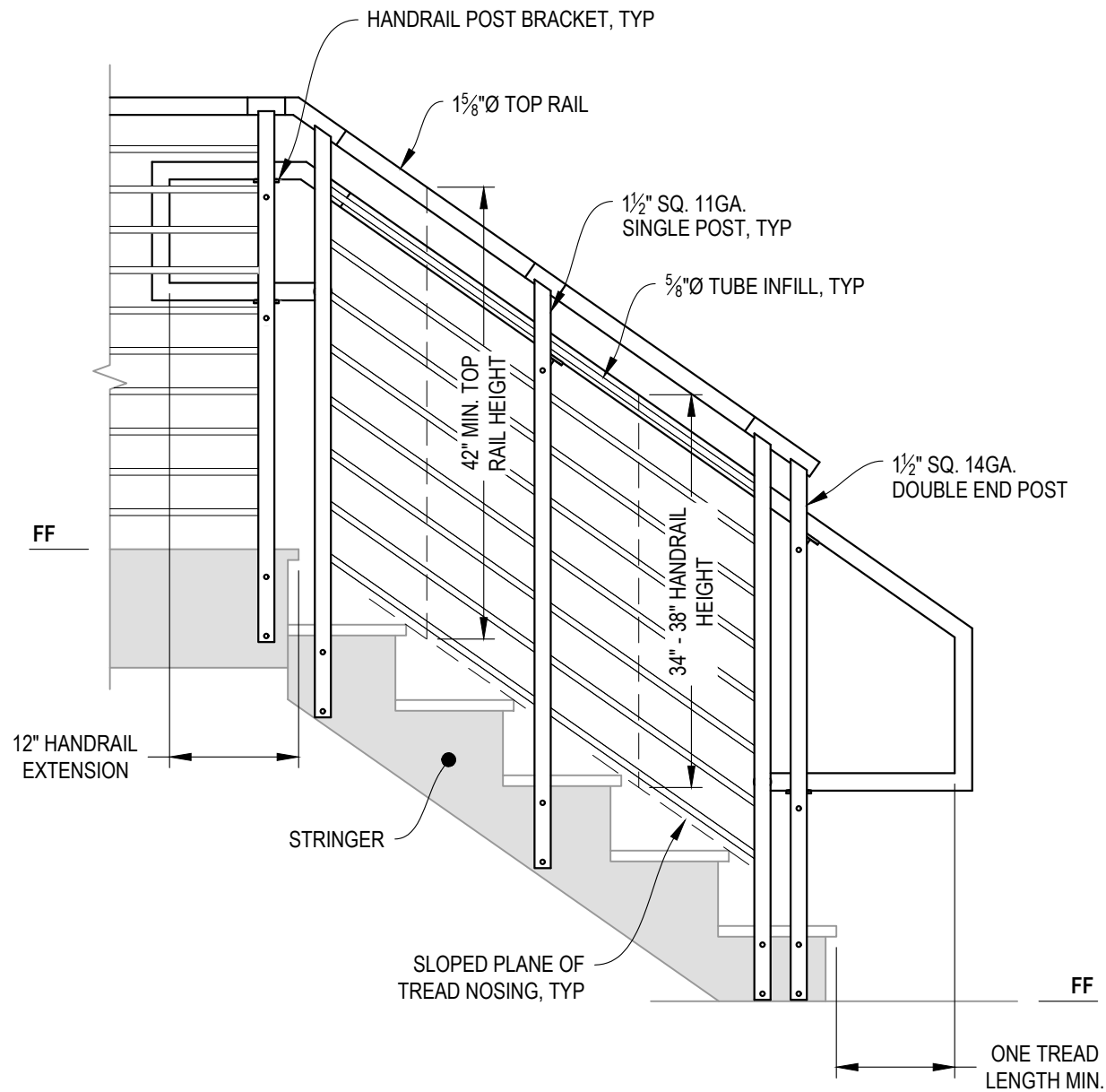
42" SIDE MOUNT - ROUND TOP

DWG # SM42RC
SCALE NONE
DATE 2026
SHEET

2 OF 5

AGS stainless
CLEARVIEW® Railing Systems

7873 NE DAY ROAD
BAINBRIDGE ISLAND, WA 98110
PHONE - (888) 842-9492
WWW.AGSSTAINLESS.COM



A STAIR ELEVATION

NOTES:

1. STAIR CONSTRUCTION VARIES GREATLY. AS-BUILT CONDITIONS MAY ALTER RAILING DESIGN, INCLUDING POST LOCATION & MOUNTING, INFILL SPACING, AND TOP RAIL LAYOUT.

7873 NEDAY ROAD
 BAINBRIDGE ISLAND, WA 98110
 PHONE - (888) 842-9492
 WWW.AGSSTAINLESS.COM



OLYMPUS SPECIFICATION DRAWING
 ** COMMERCIAL **

42" SIDE MOUNT - ROUND TOP

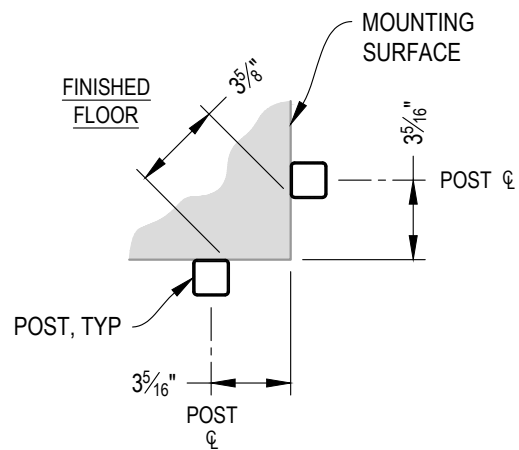
DWG # SM42RC

SCALE NONE

DATE 2026

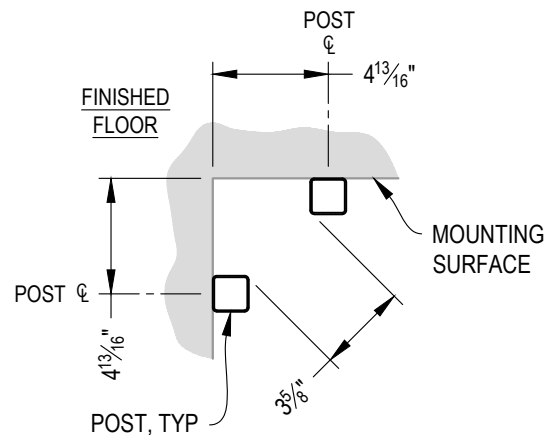
SHEET

3 OF **5**



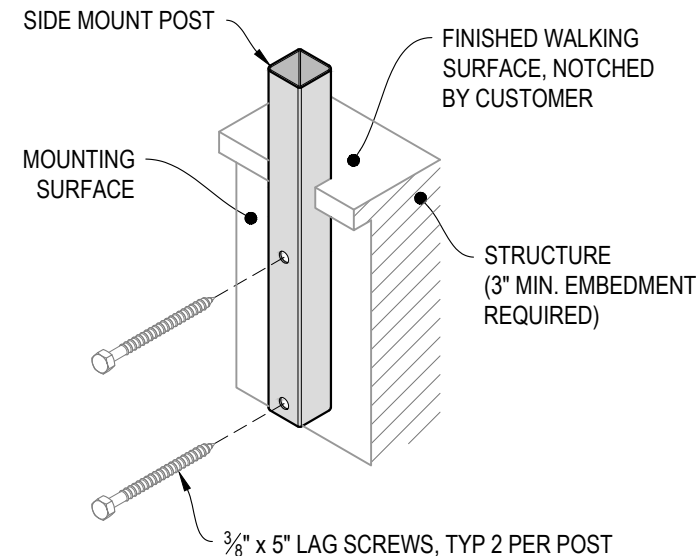
NOTE: 90° SHOWN, OTHER ANGLES SIMILAR

A TYPICAL 90° SIDE MOUNT OUTSIDE CORNER
DETAIL

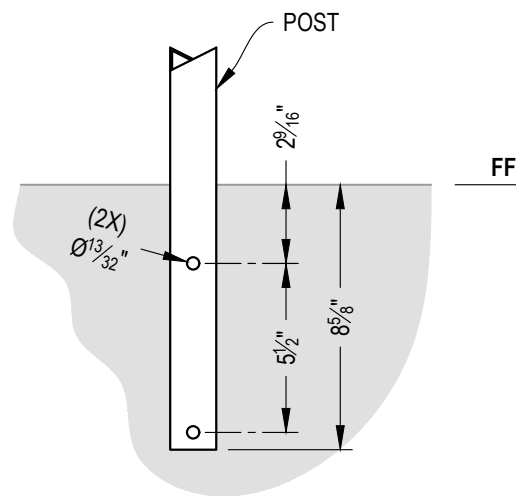


NOTE: 90° SHOWN, OTHER ANGLES SIMILAR

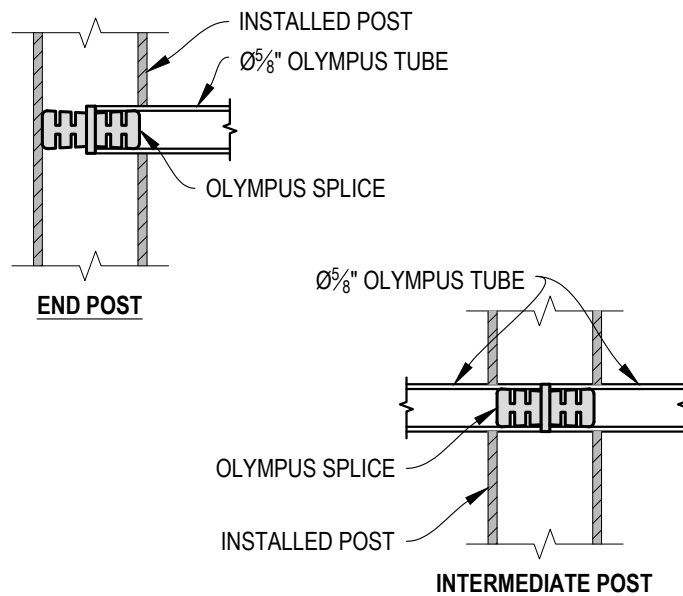
B TYPICAL 90° SIDE MOUNT INSIDE CORNER
DETAIL



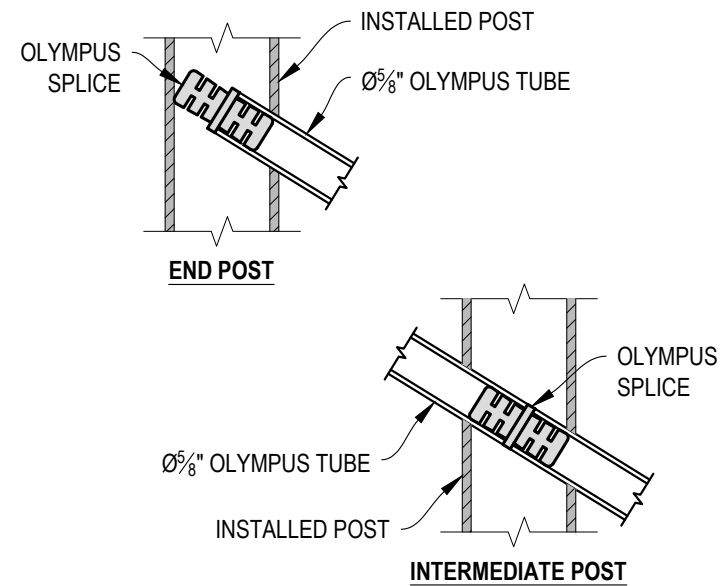
C TYPICAL POST MOUNTING - SIDE MOUNT
DETAIL



D TYPICAL POST MOUNTING - SIDE MOUNT
DETAIL



E FITTING INSTALLATION - OLYMPUS SPLICE
DETAIL



F FITTING INSTALLATION - OLYMPUS SPLICE
DETAIL

7873 NEDAY ROAD
BAINBRIDGE ISLAND, WA 98110
PHONE - (888) 842-9492
WWW.AGSSTAINLESS.COM

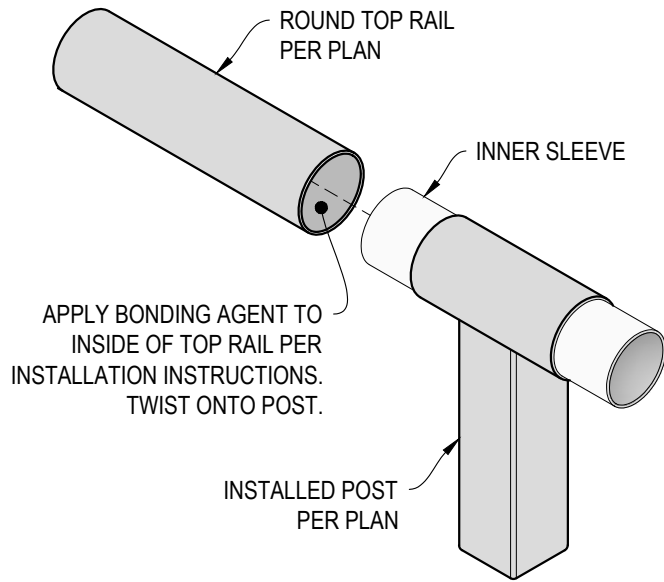
AGS stainless
CLEARVIEW® Railing Systems

OLYMPUS SPECIFICATION DRAWING
** COMMERCIAL **

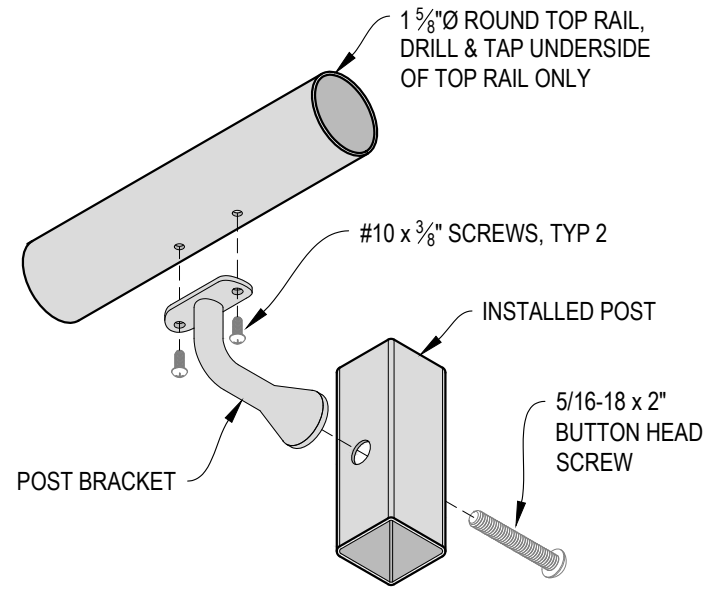
42" SIDE MOUNT - ROUND TOP

DWG # SM42RC
SCALE NONE
DATE 2026
SHEET

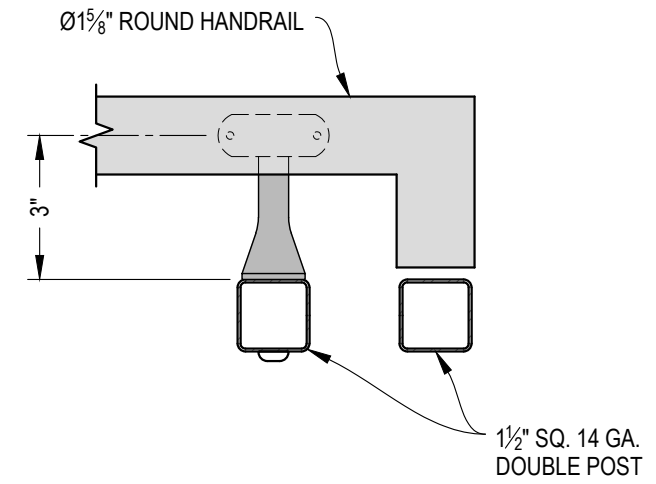
4 OF 5



A TOP RAIL INSTALLATION - ROUND
DETAIL



B HANDRAIL POST BRACKET INSTALLATION - ROUND
DETAIL



NOTE: VIEW MAY BE MIRRORED

C TYPICAL HANDRAIL RETURN - ROUND
DETAIL

7873 NEDAY ROAD
BAINBRIDGE ISLAND, WA 98110
PHONE - (888) 842-9492
WWW.AGSSTAINLESS.COM



OLYMPUS SPECIFICATION DRAWING
** COMMERCIAL **
42" SIDE MOUNT - ROUND TOP

DWG # SM42RC
SCALE NONE
DATE 2026
SHEET