

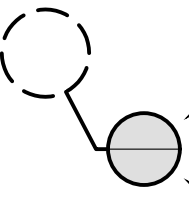

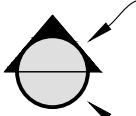




1 EXAMPLE POST LAYOUT
PLAN VIEW

AGS Stainless Clearview® Railing Systems are designed to meet the requirements of the latest edition of the IRC/IBC.

NOTES:

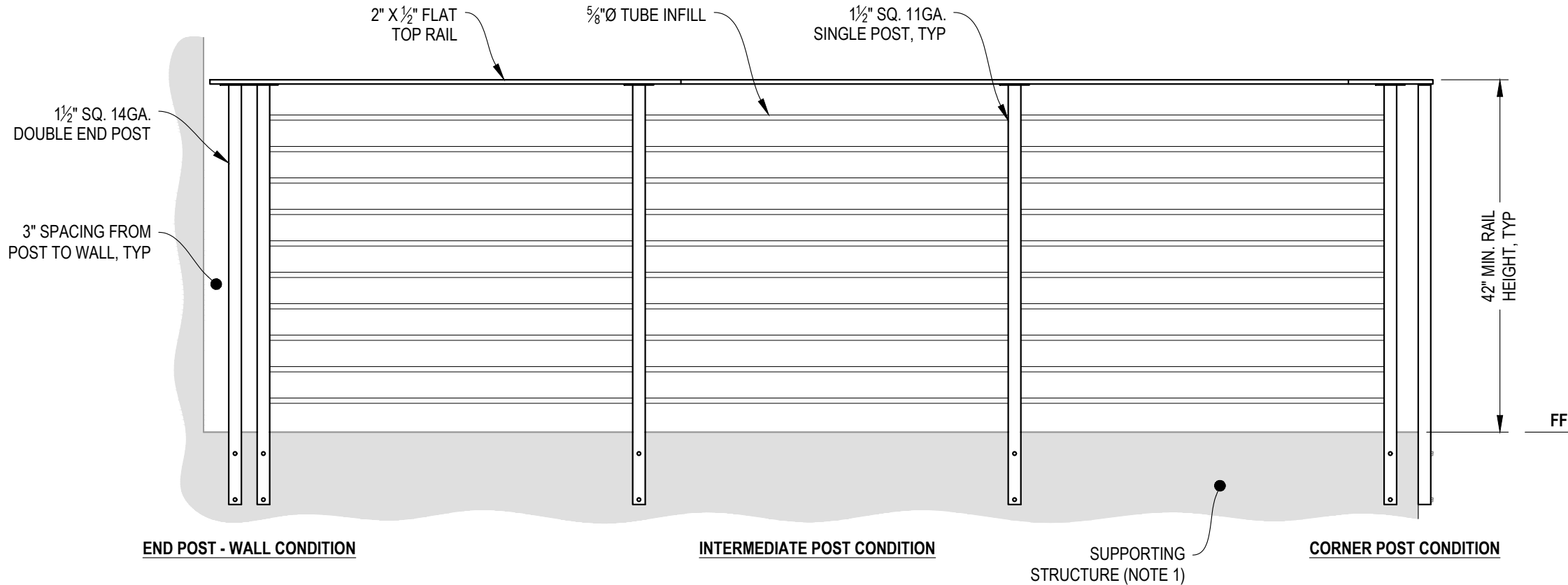
1. TOP RAIL NOT SHOWN FOR CLARITY.
2. ALL PARTS AND COMPONENTS MADE WITH 316 STAINLESS STEEL UNLESS NOTED OTHERWISE.

LEGEND

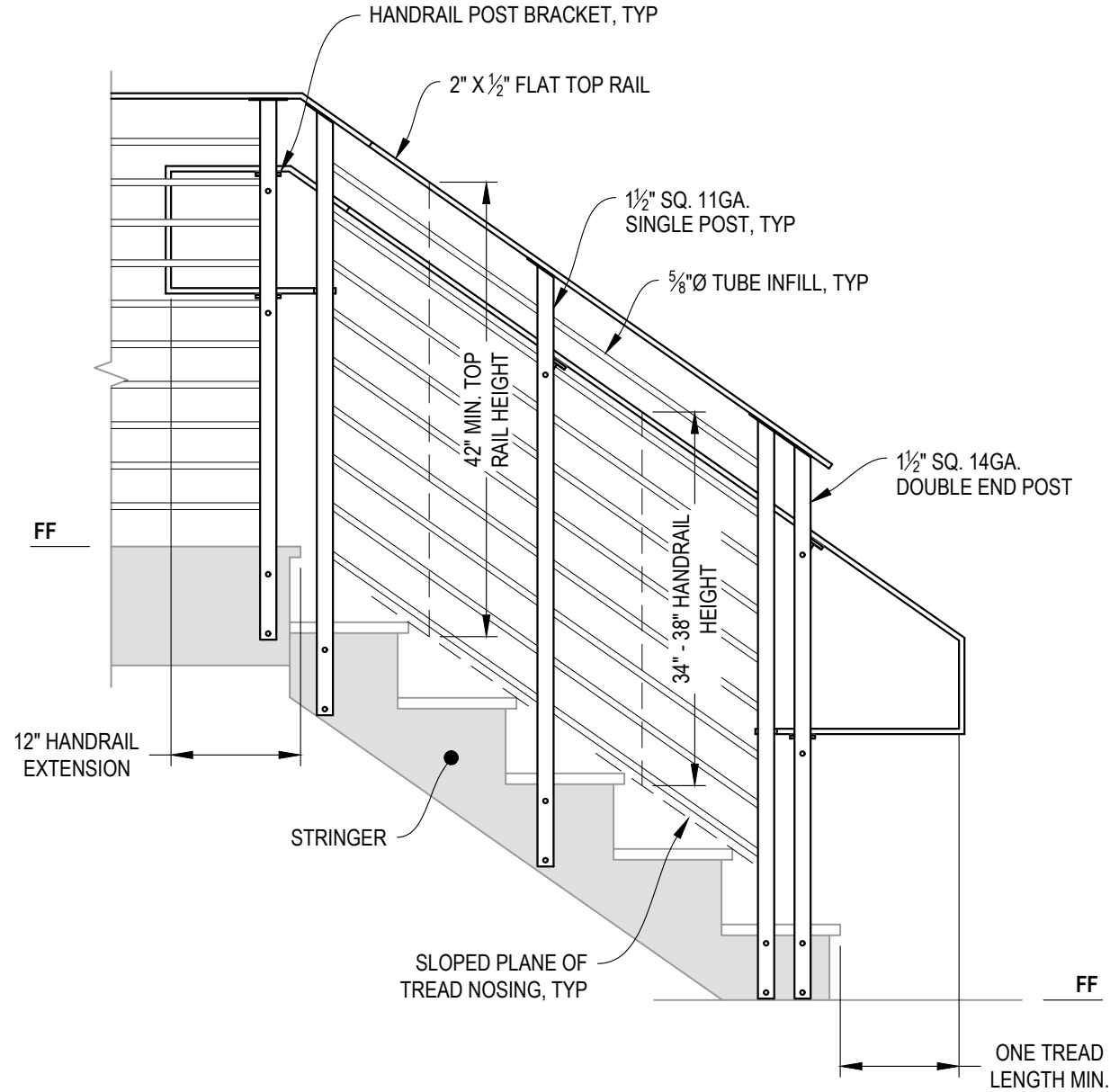
-  DETAIL ID
-  SHEET ID
-  ELEVATION ID
-  SHEET ID
-  SIDE MOUNT POST
-  SIDE MOUNT DOUBLE POST
-  CENTERLINE
- FF** FINISHED FLOOR
- TYP TYPICAL CONDITION APPLIES ELSEWHERE AT SIMILAR CONDITIONS

NOTES:

1. DECK STRUCTURE CAN VARY GREATLY. IT IS THE RESPONSIBILITY OF THE CUSTOMER TO VERIFY THAT THE SUPPORTING STRUCTURE IS ADEQUATE TO MEET THE LOAD REQUIREMENTS OF THE GOVERNING BUILDING CODE(S). *AGS Stainless Inc.* RECOMMENDS CONSULTING A DESIGN OR CONSTRUCTION PROFESSIONAL TO ADDRESS THESE ISSUES.



A TYPICAL RAILING CONDITION
ELEVATION



A STAIR ELEVATION

NOTES:

1. STAIR CONSTRUCTION VARIES GREATLY. AS-BUILT CONDITIONS MAY ALTER RAILING DESIGN, INCLUDING POST LOCATION & MOUNTING, INFILL SPACING, AND TOP RAIL LAYOUT.

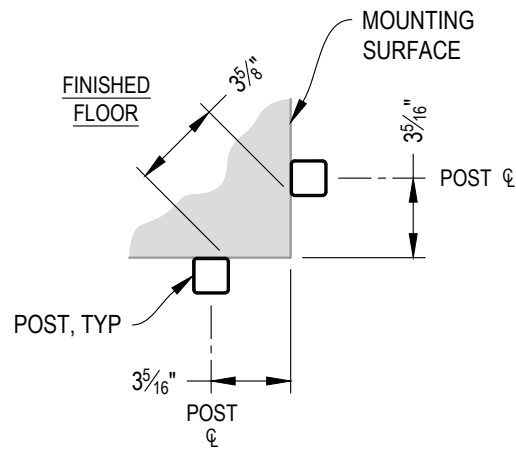
7873 NEDAY ROAD
 BAINBRIDGE ISLAND, WA 98110
 PHONE - (888) 842-9492
 WWW.AGSSSTAINLESS.COM



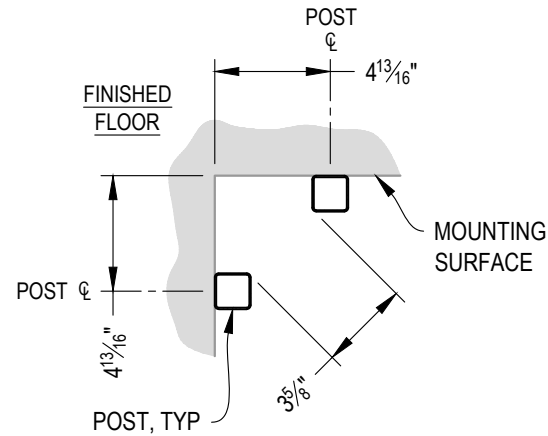
OLYMPUS SPECIFICATION DRAWING
 ** COMMERCIAL **

42" SIDE MOUNT - FLAT TOP

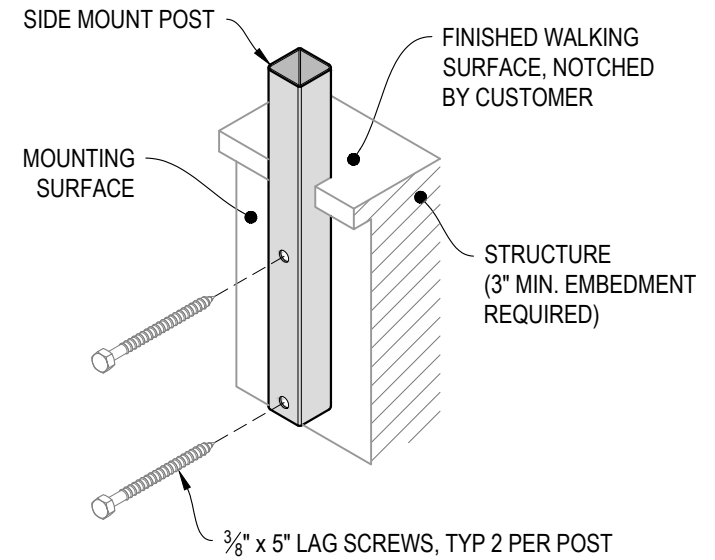
DWG #	SM42FC
SCALE	NONE
DATE	2026
SHEET	



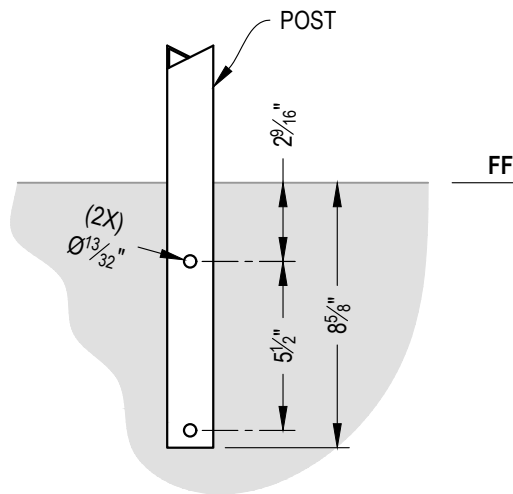
A TYPICAL 90° SIDE MOUNT OUTSIDE CORNER
DETAIL



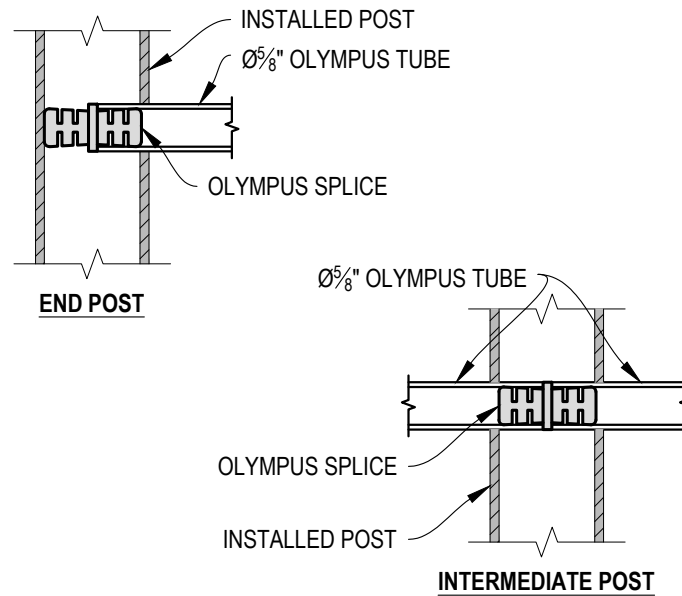
B TYPICAL 90° SIDE MOUNT INSIDE CORNER
DETAIL



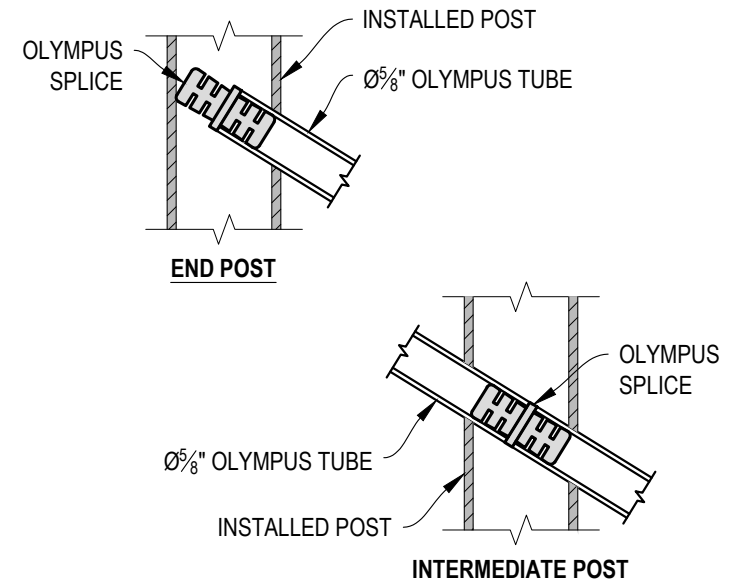
C TYPICAL POST MOUNTING - SIDE MOUNT
DETAIL



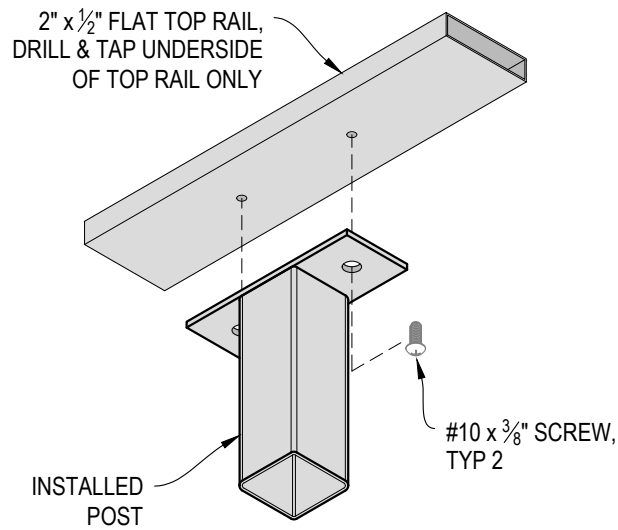
D TYPICAL POST MOUNTING - SIDE MOUNT
DETAIL



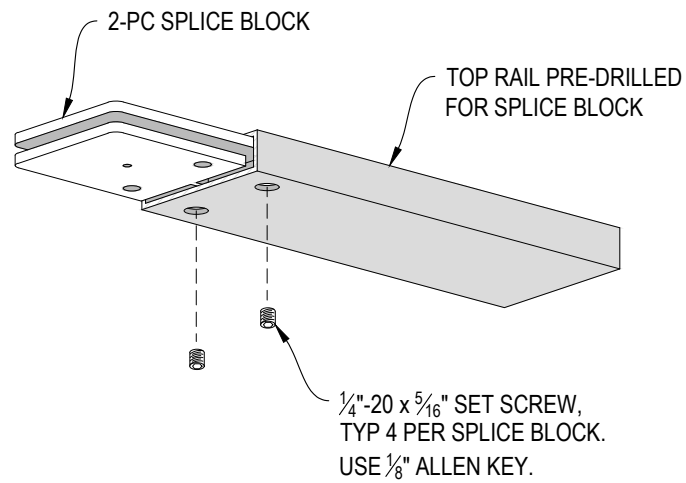
E FITTING INSTALLATION - OLYMPUS SPLICE
DETAIL



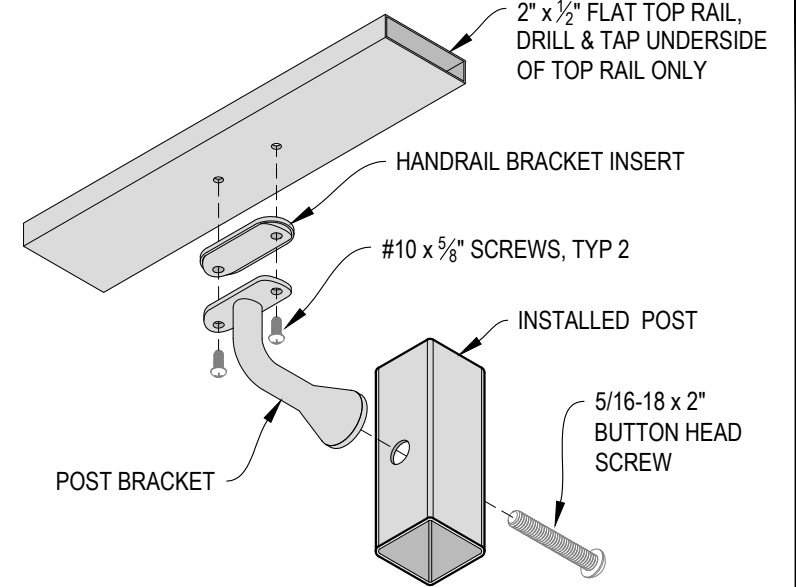
F FITTING INSTALLATION - OLYMPUS SPLICE
DETAIL



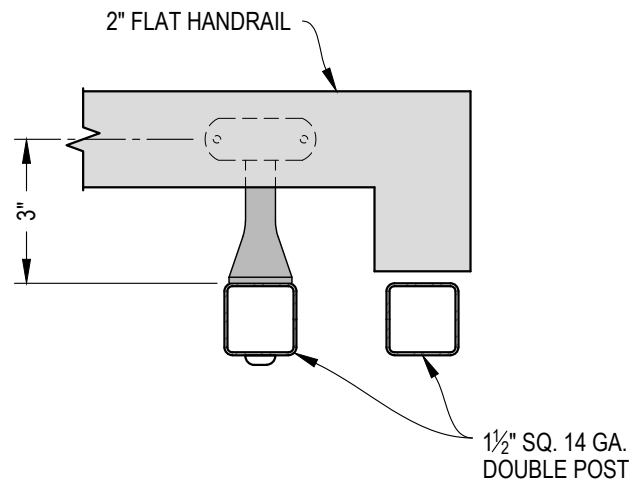
A TOP RAIL INSTALLATION - FLAT
DETAIL



B SPLICE BLOCK ASSEMBLY - FLAT
DETAIL



C HANDRAIL POST BRACKET INSTALLATION - FLAT
DETAIL



NOTE: VIEW MAY BE MIRRORED

D TYPICAL HANDRAIL RETURN - FLAT
DETAIL