

**1** EXAMPLE POST LAYOUT  
PLAN VIEW

**NOTES:**

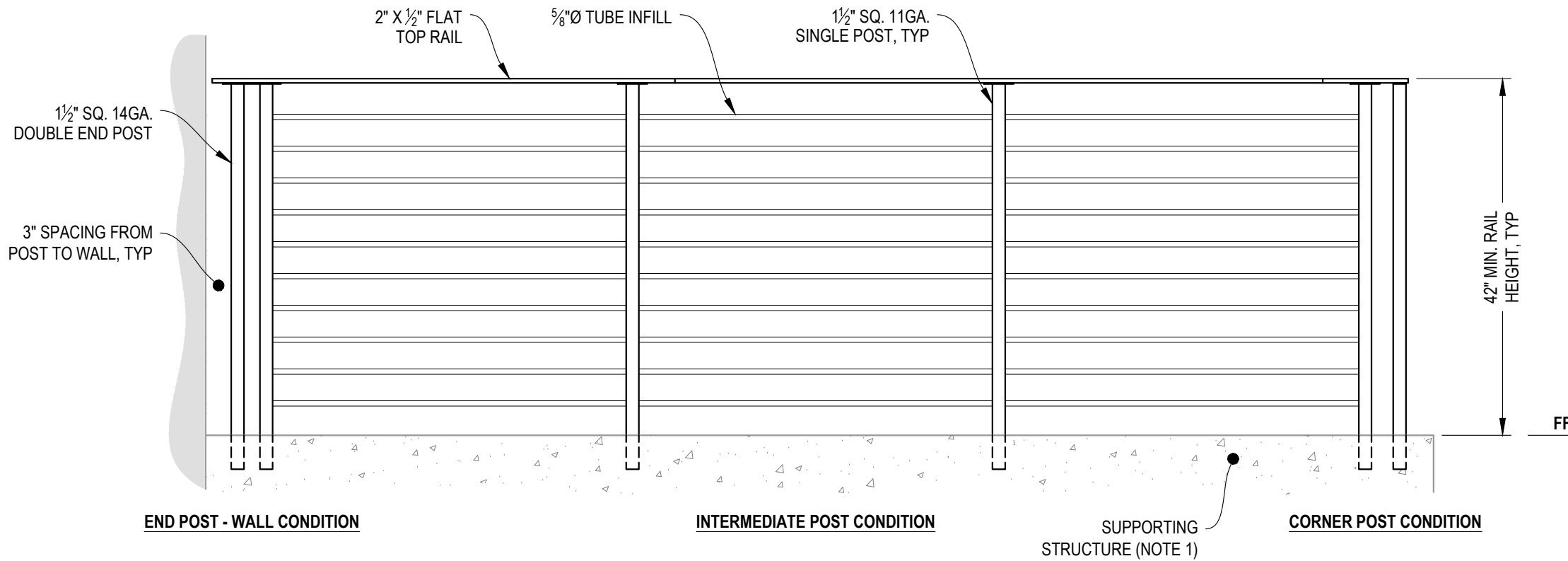
1. TOP RAIL NOT SHOWN FOR CLARITY.
2. ALL PARTS AND COMPONENTS MADE WITH 316 STAINLESS STEEL UNLESS NOTED OTHERWISE.

**LEGEND**

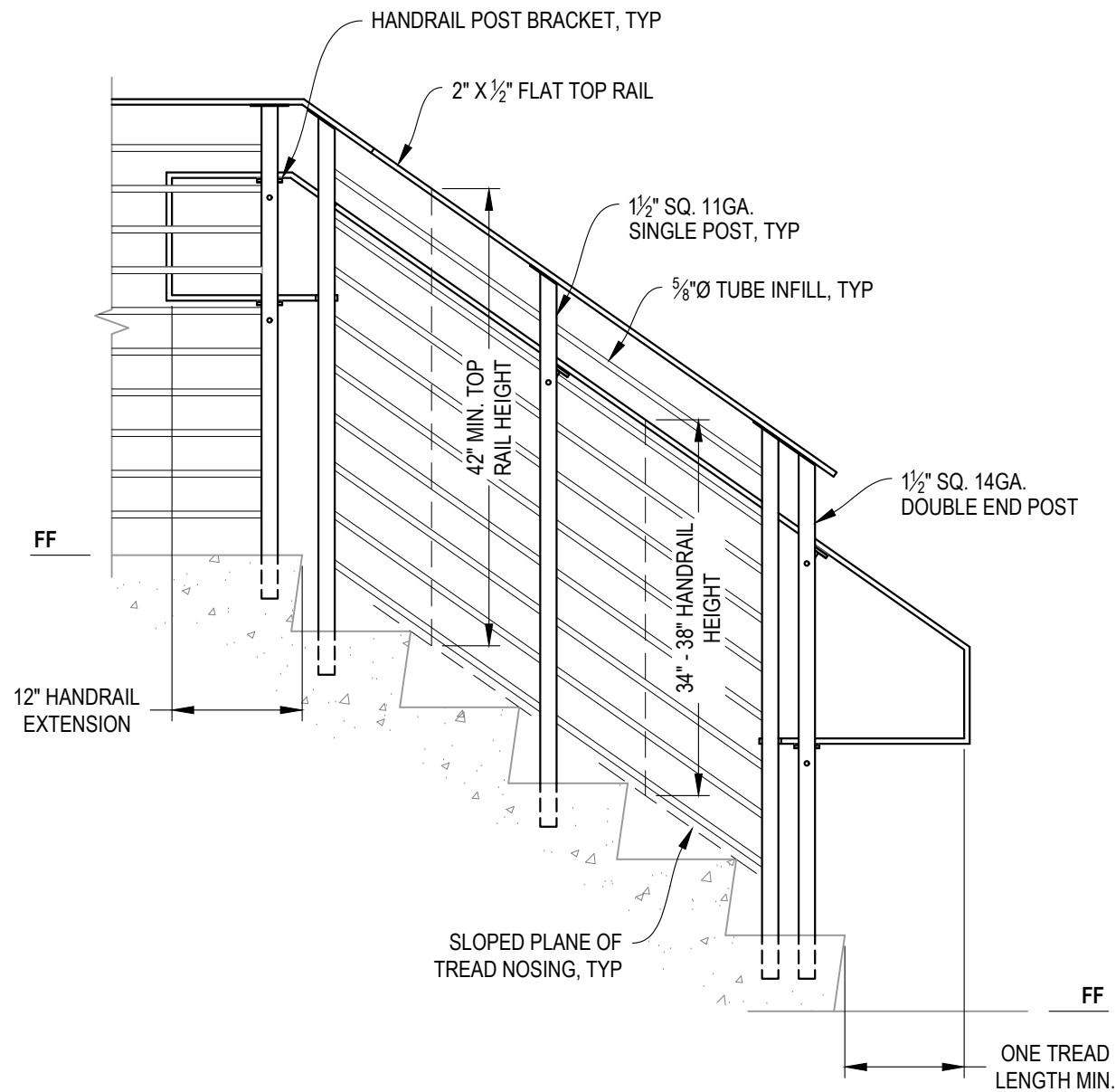
- DETAIL ID
- SHEET ID
- ELEVATION ID
- SHEET ID
- CORE DRILL POST
- CORE DRILL DOUBLE POST
- CENTERLINE
- FF** FINISHED FLOOR
- TYP TYPICAL CONDITION APPLIES ELSEWHERE AT SIMILAR CONDITIONS

**NOTES:**

1. DECK STRUCTURE CAN VARY GREATLY. IT IS THE RESPONSIBILITY OF THE CUSTOMER TO VERIFY THAT THE SUPPORTING STRUCTURE IS ADEQUATE TO MEET THE LOAD REQUIREMENTS OF THE GOVERNING BUILDING CODE(S). *AGS Stainless Inc.* RECOMMENDS CONSULTING A DESIGN OR CONSTRUCTION PROFESSIONAL TO ADDRESS THESE ISSUES.



**A** TYPICAL RAILING CONDITION  
ELEVATION



**A** STAIR  
ELEVATION

**NOTES:**

1. STAIR CONSTRUCTION VARIES GREATLY. AS-BUILT CONDITIONS MAY ALTER RAILING DESIGN, INCLUDING POST LOCATION & MOUNTING, INFILL SPACING, AND TOP RAIL LAYOUT.

AGS Stainless Clearview® Railing Systems are designed to meet the requirements of the latest edition of the IRC/IBC.

7873 NEDAY ROAD  
BAINBRIDGE ISLAND, WA 98110  
PHONE - (888) 842-9492  
WWW.AGSSTAINLESS.COM



OLYMPUS SPECIFICATION DRAWING  
\*\* COMMERCIAL \*\*

42" CORE DRILL - FLAT TOP

DWG #	CD42FC
SCALE	NONE
DATE	2026
SHEET	



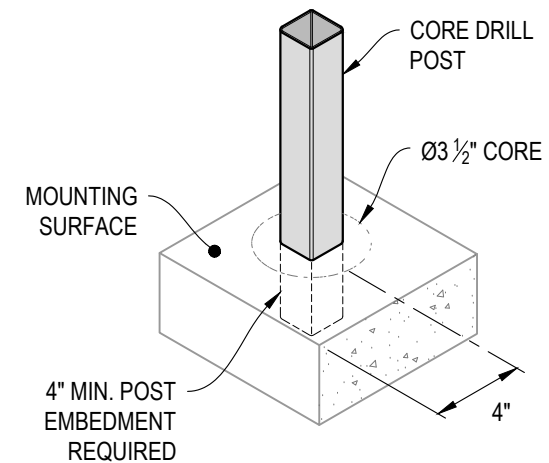
NOTE: 90° SHOWN, OTHER ANGLES SIMILAR

**A** TYPICAL 90° TOP MOUNT OUTSIDE CORNER  
DETAIL

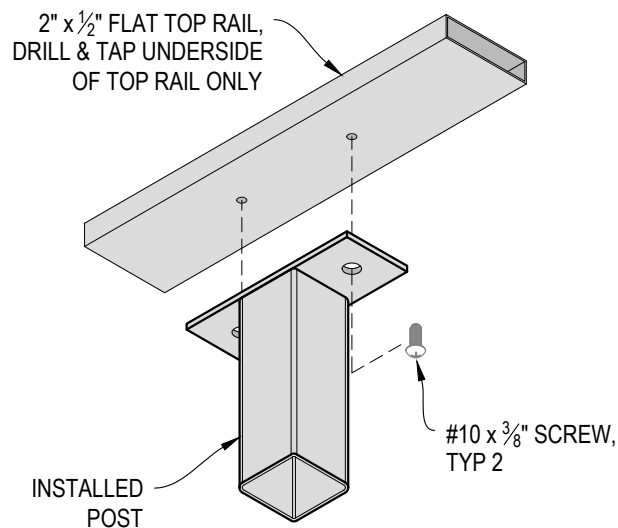


NOTE: 90° SHOWN, OTHER ANGLES SIMILAR

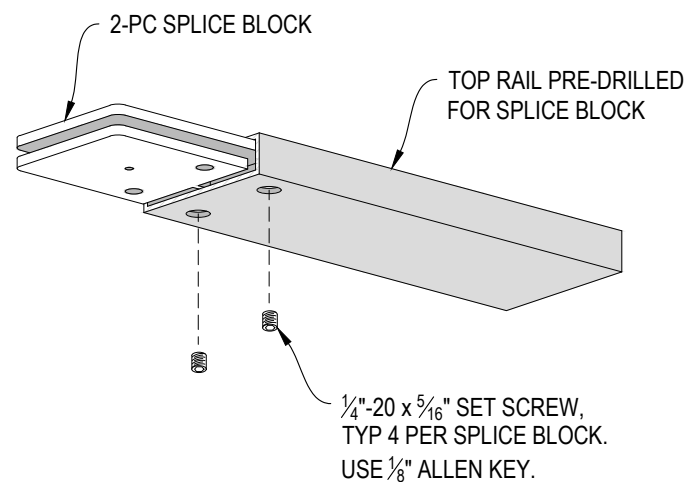
**B** TYPICAL 90° TOP MOUNT INSIDE CORNER  
DETAIL



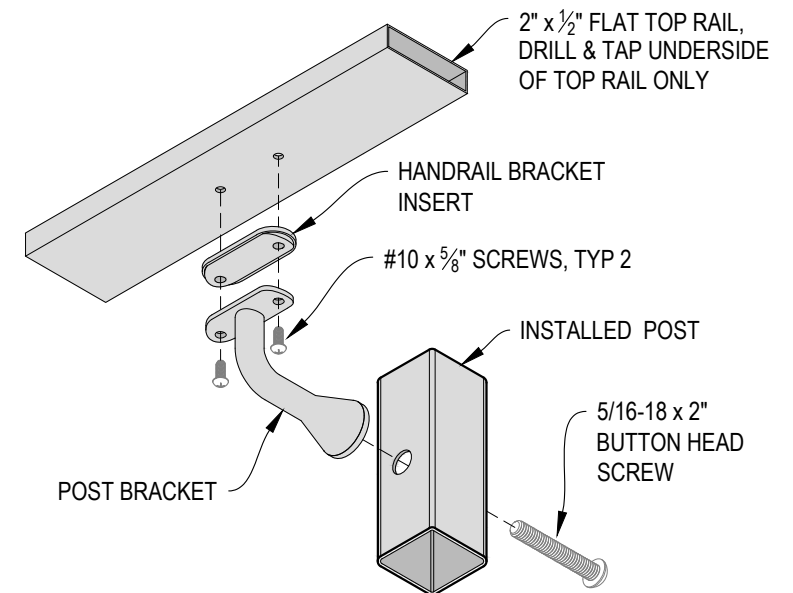
**C** TYPICAL POST MOUNTING - CORE DRILL  
DETAIL



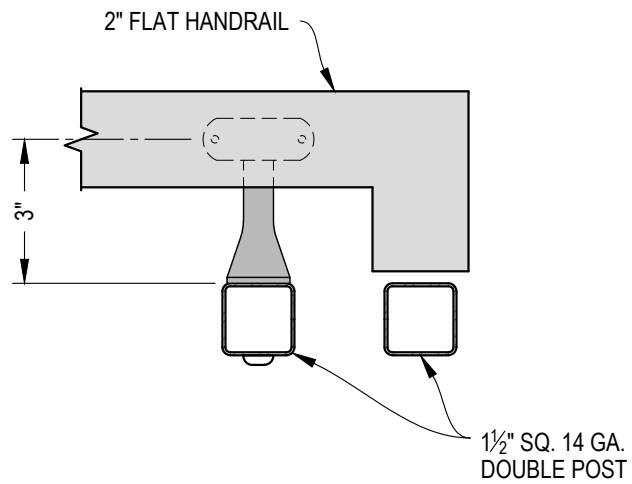
**D** TOP RAIL INSTALLATION - FLAT  
DETAIL



**E** SPLICE BLOCK ASSEMBLY - FLAT  
DETAIL

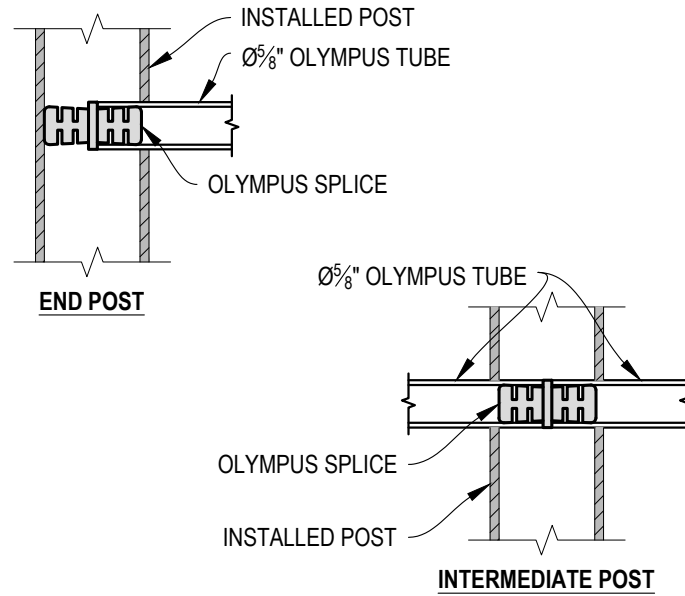


**F** HANDRAIL POST BRACKET INSTALLATION - FLAT  
DETAIL

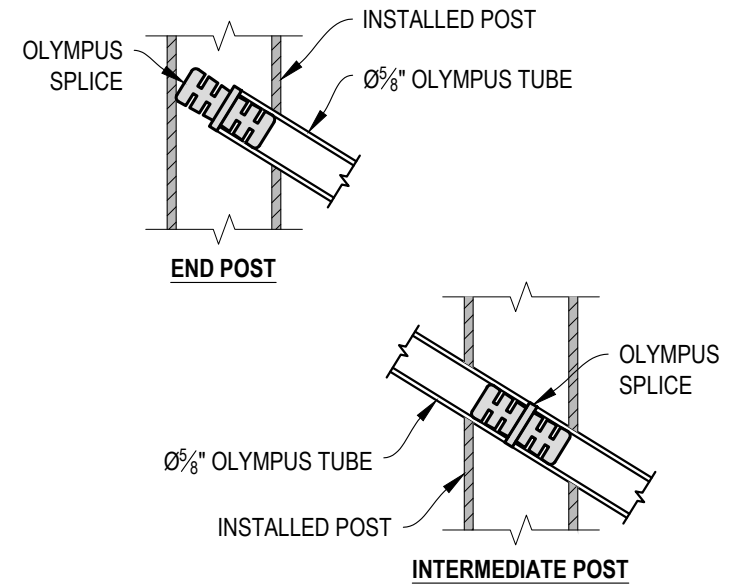


NOTE: VIEW MAY BE MIRRORED

**A** TYPICAL HANDRAIL RETURN - FLAT  
DETAIL



**B** FITTING INSTALLATION - OLYMPUS SPLICE  
DETAIL



**C** FITTING INSTALLATION - OLYMPUS SPLICE  
DETAIL

OLYMPUS SPECIFICATION DRAWING  
\*\* COMMERCIAL \*\*

42" CORE DRILL - FLAT TOP

DWG #  
CD42FC

SCALE  
NONE

DATE  
2026

SHEET

**5**  
OF 5

7873 NE DAY ROAD  
BAINBRIDGE ISLAND, WA 98110

PHONE - (888) 842-9492  
WWW.AGSSTAINLESS.COM

**AGS stainless**  
CLEARVIEW® Railing Systems