

**1** **EXAMPLE POST LAYOUT**  
PLAN VIEW

AGS Stainless Clearview® Railing Systems are designed to meet the requirements of the latest edition of the IRC/IBC.

**NOTES:**

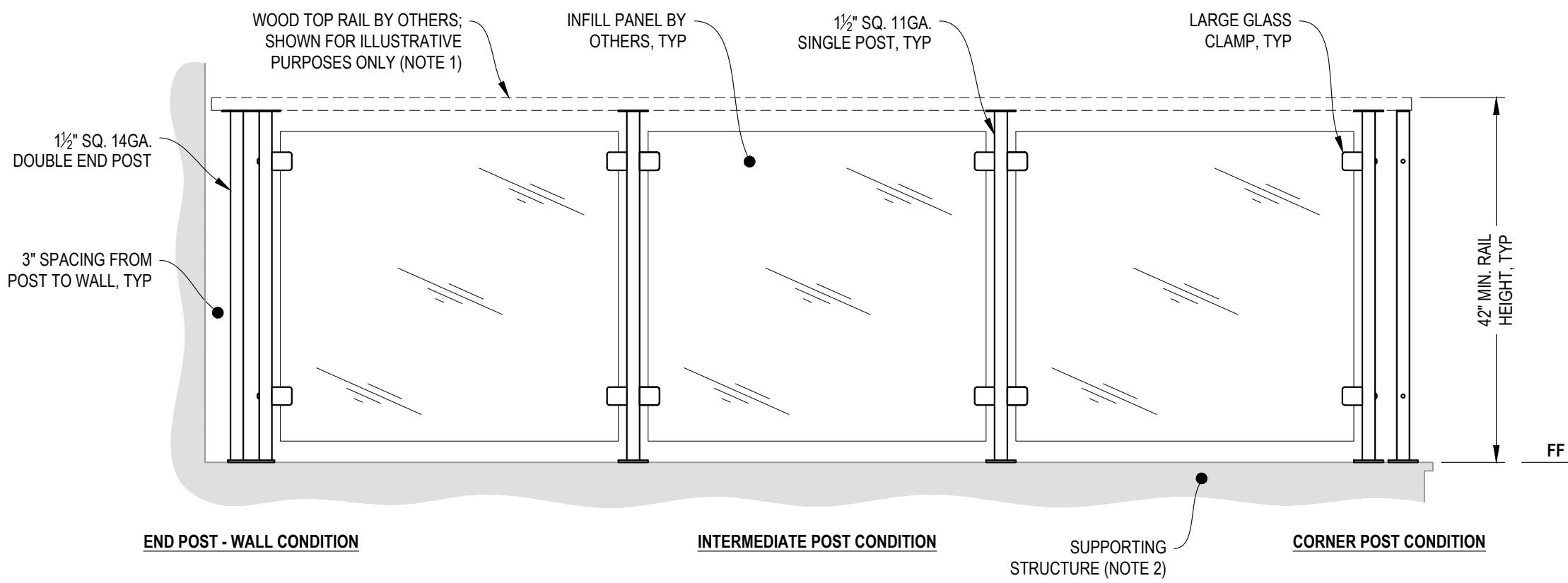
1. TOP RAIL NOT SHOWN FOR CLARITY.
2. ALL PARTS AND COMPONENTS MADE WITH 316 STAINLESS STEEL UNLESS NOTED OTHERWISE.

**LEGEND**

- DETAIL ID
- SHEET ID
- ELEVATION ID
- TOP MOUNT POST
- TOP MOUNT DOUBLE POST
- CENTERLINE
- FINISHED FLOOR
- TYPICAL CONDITION APPLIES ELSEWHERE AT SIMILAR CONDITIONS

**NOTES:**

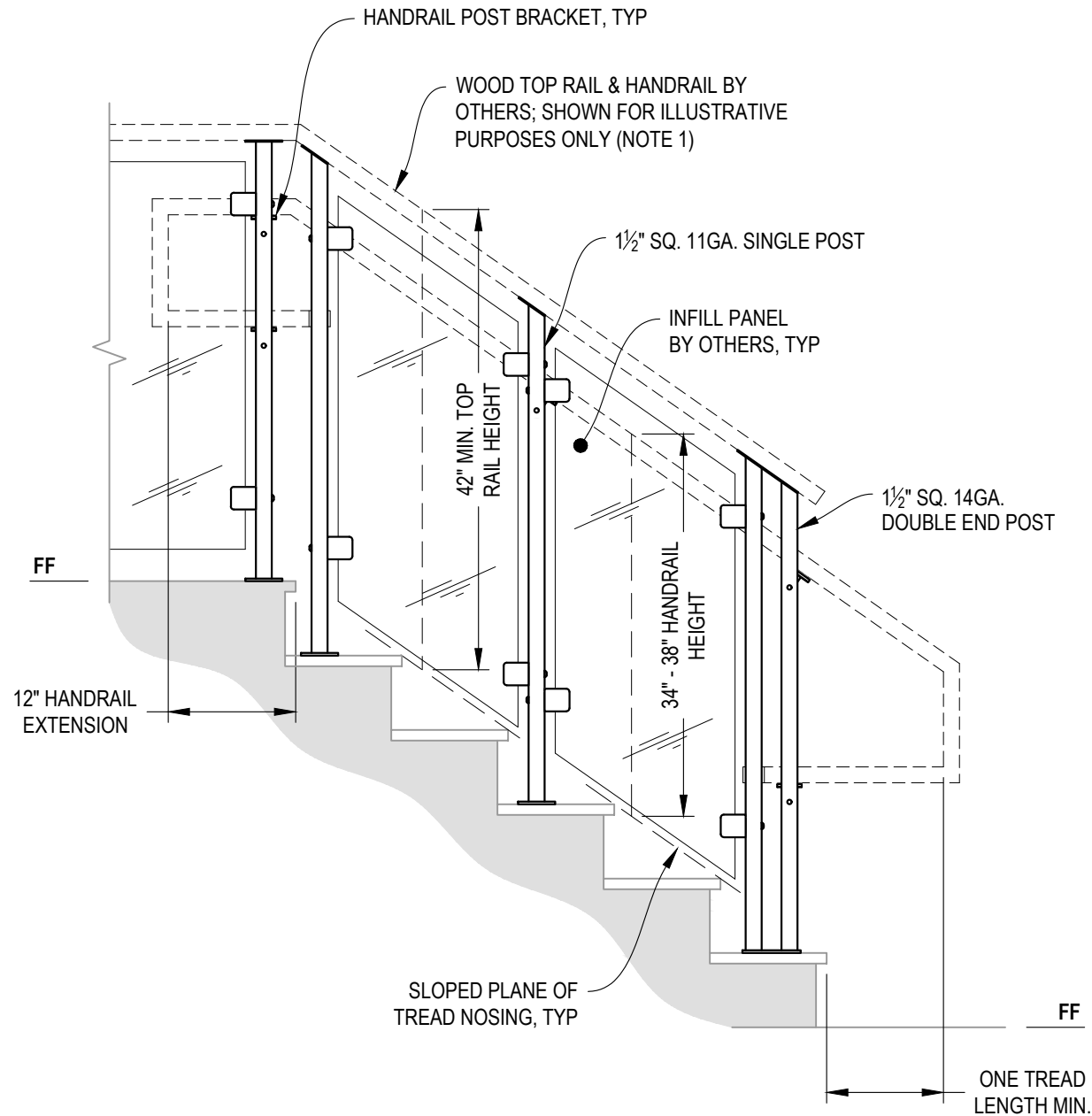
1. TOP RAIL SHOULD BE SELECTED SO THAT ALL GOVERNING CODE REQUIREMENTS ARE SATISFIED. THESE INCLUDE SHAPE, STRENGTH AND RAILING HEIGHT.
2. DECK STRUCTURE CAN VARY GREATLY. IT IS THE RESPONSIBILITY OF THE CUSTOMER TO VERIFY THAT THE SUPPORTING STRUCTURE IS ADEQUATE TO MEET THE LOAD REQUIREMENTS OF THE GOVERNING BUILDING CODE(S). AGS Stainless Inc. RECOMMENDS CONSULTING A DESIGN OR CONSTRUCTION PROFESSIONAL TO ADDRESS THESE ISSUES.



**A** **TYPICAL RAILING CONDITION**  
 ELEVATION

GLACIER SPECIFICATION DRAWING  
 \*\* COMMERCIAL \*\*  
 42" TOP MOUNT - WOOD TOP

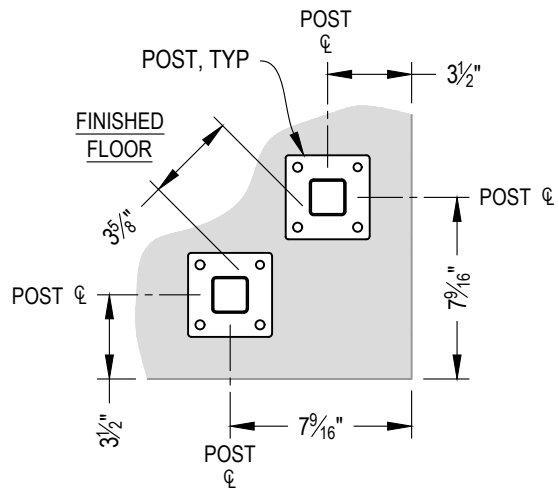
DWG #	TM42WC
SCALE	NONE
DATE	2026
SHEET	



**A** STAIR  
ELEVATION

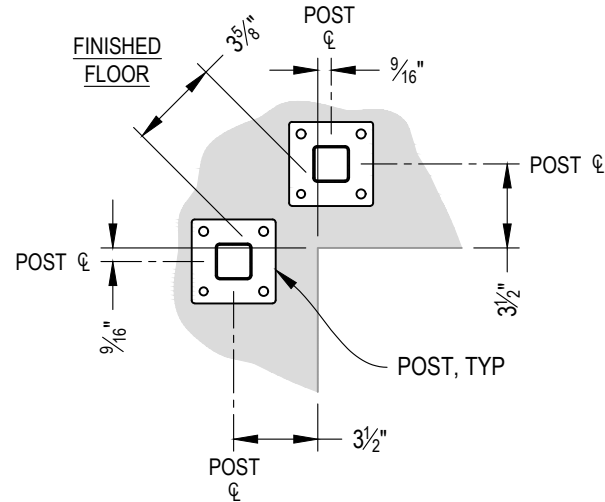
**NOTES:**

1. TOP RAIL SHOULD BE SELECTED SO THAT ALL GOVERNING CODE REQUIREMENTS ARE SATISFIED. THESE INCLUDE SHAPE, STRENGTH, AND RAILING HEIGHT.
2. STAIR CONSTRUCTION VARIES GREATLY. AS-BUILT CONDITIONS MAY ALTER RAILING DESIGN, INCLUDING POST LOCATION & MOUNTING, INFILL SPACING, AND TOP RAIL LAYOUT.



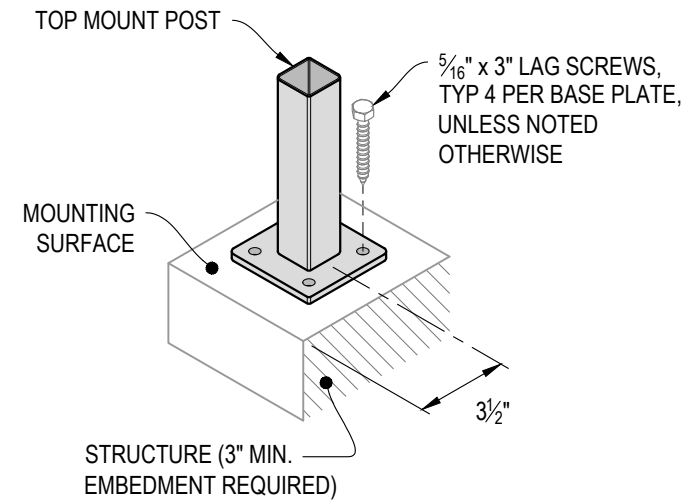
NOTE: 90° SHOWN, OTHER ANGLES SIMILAR

**A** TYPICAL 90° TOP MOUNT OUTSIDE CORNER  
DETAIL

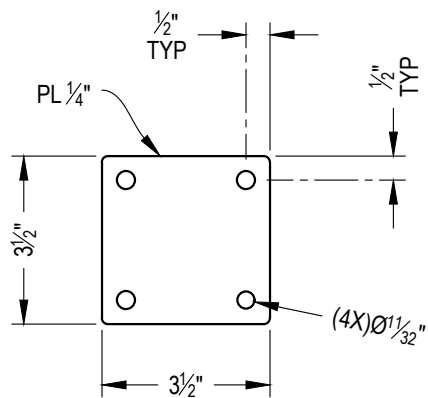


NOTE: 90° SHOWN, OTHER ANGLES SIMILAR

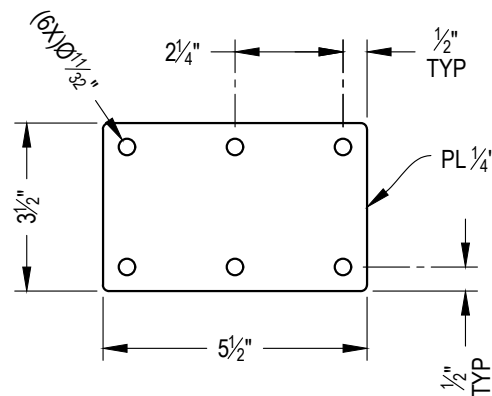
**B** TYPICAL 90° TOP MOUNT INSIDE CORNER  
DETAIL



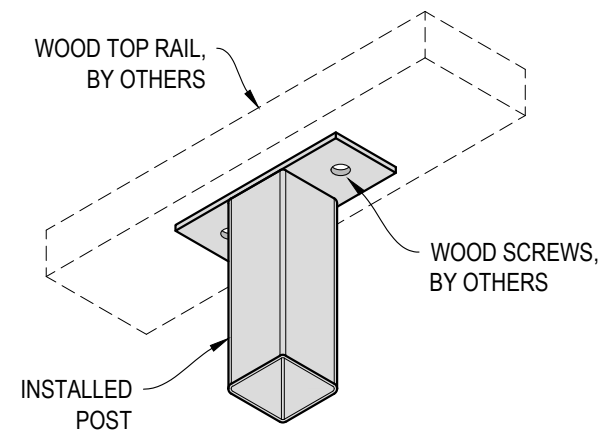
**C** TYPICAL POST MOUNTING - TOP MOUNT  
DETAIL



**D** TYPICAL BASE PLATE  
DETAIL



**E** TYPICAL DOUBLE BASE PLATE  
DETAIL



**F** TOP RAIL INSTALLATION - WOOD  
DETAIL

AGS Stainless Clearview® Railing Systems are designed to meet the requirements of the latest edition of the IRC/IBC.

7873 NEDAY ROAD  
BAINBRIDGE ISLAND, WA 98110  
PHONE - (888) 842-9492  
WWW.AGSSTAINLESS.COM

**AGS stainless**  
CLEARVIEW® Railing Systems

GLACIER SPECIFICATION DRAWING  
\*\* COMMERCIAL \*\*

42" TOP MOUNT - WOOD TOP

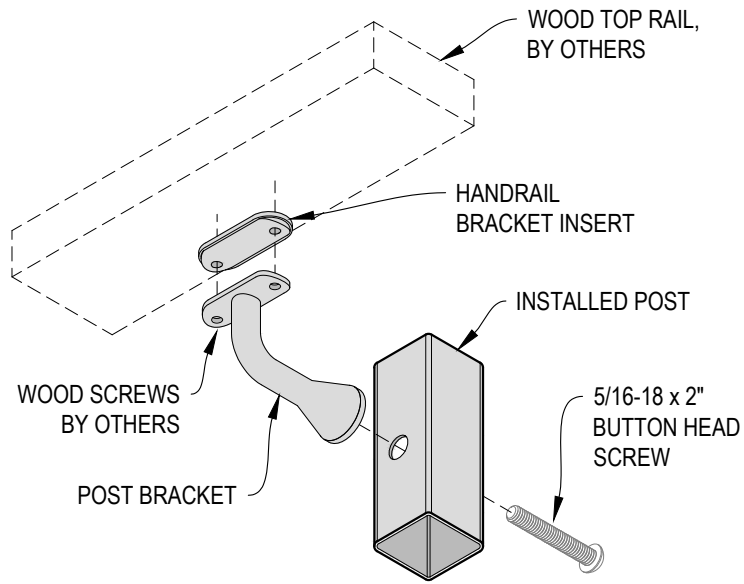
DWG #  
TM42WC

SCALE  
NONE

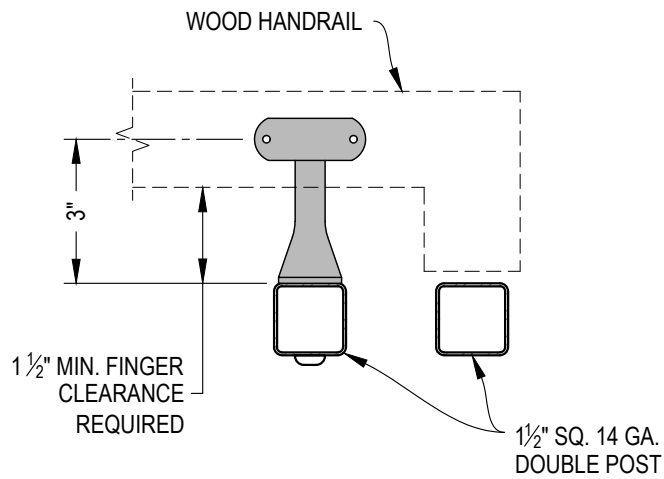
DATE  
2026

SHEET

4 OF 5

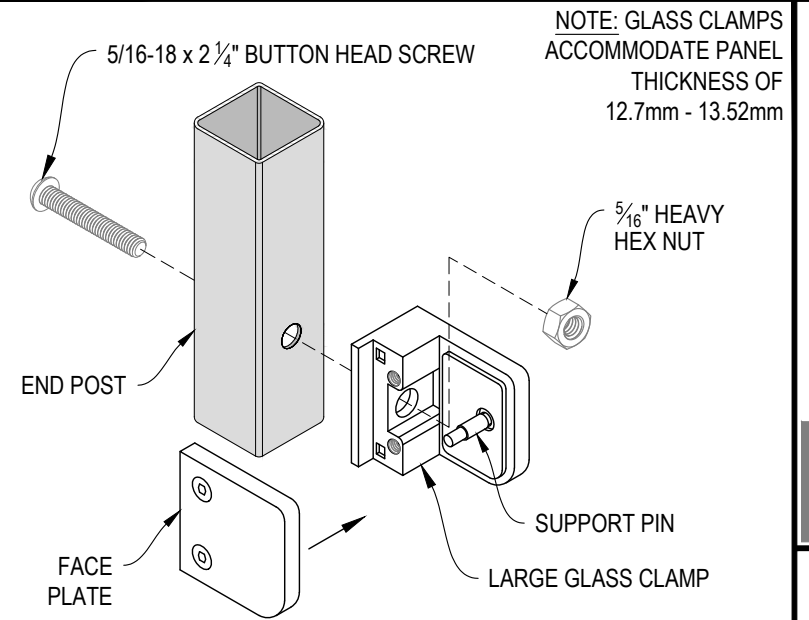


**A** HANDRAIL POST BRACKET INSTALLATION - WOOD  
DETAIL

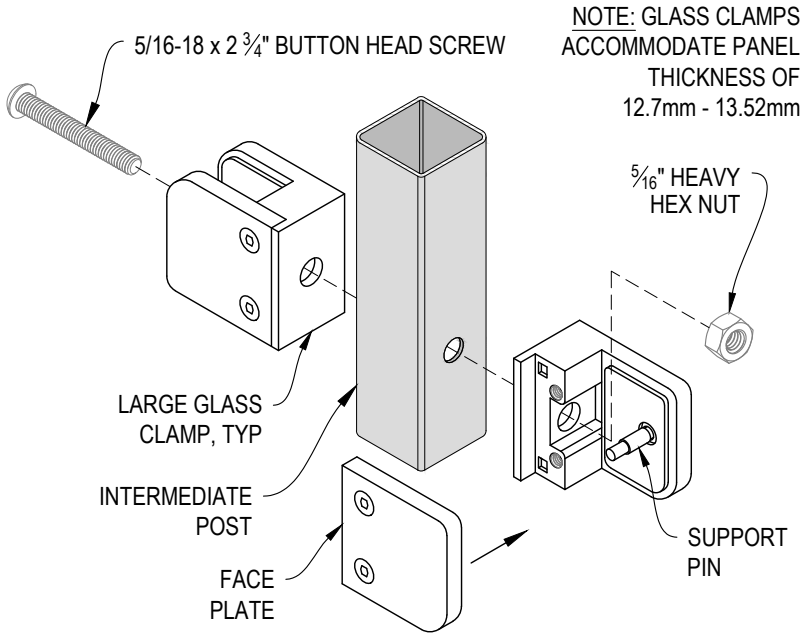


NOTE: VIEW MAY BE MIRRORED

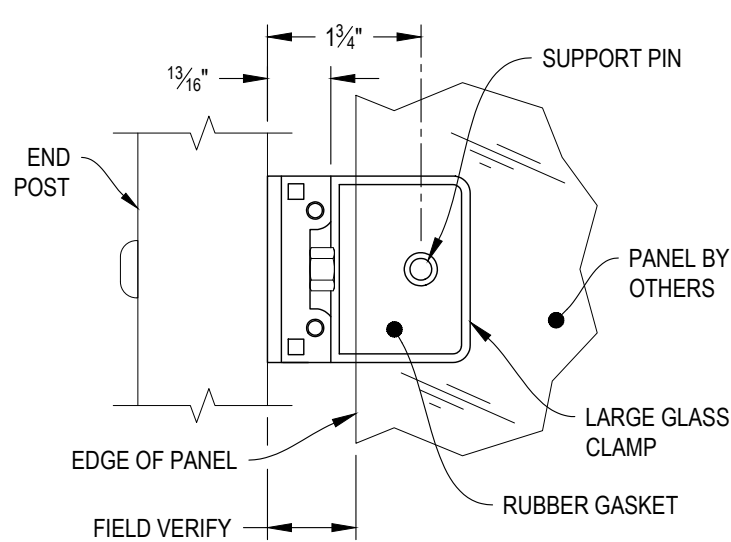
**B** TYPICAL HANDRAIL RETURN - WOOD  
DETAIL



**C** END POST GLASS CLAMP INSTALLATION - LARGE  
DETAIL



**D** INTERMEDIATE POST GLASS CLAMP INSTALLATION - LARGE  
DETAIL



NOTE: FACE PLATE REMOVED FOR CLARITY.

**E** LARGE GLASS CLAMP WITH PIN  
DETAIL