

1 EXAMPLE POST LAYOUT
PLAN VIEW

NOTES:

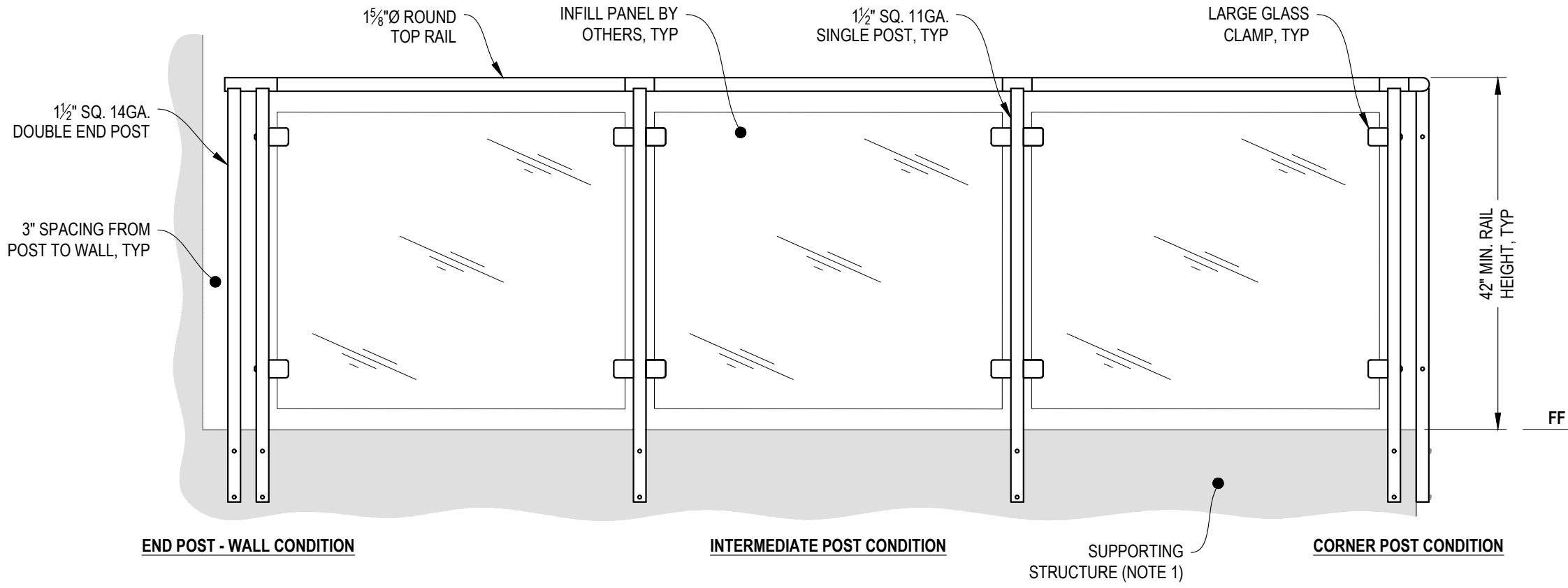
1. TOP RAIL NOT SHOWN FOR CLARITY.
2. ALL PARTS AND COMPONENTS MADE WITH 316 STAINLESS STEEL UNLESS NOTED OTHERWISE.

LEGEND

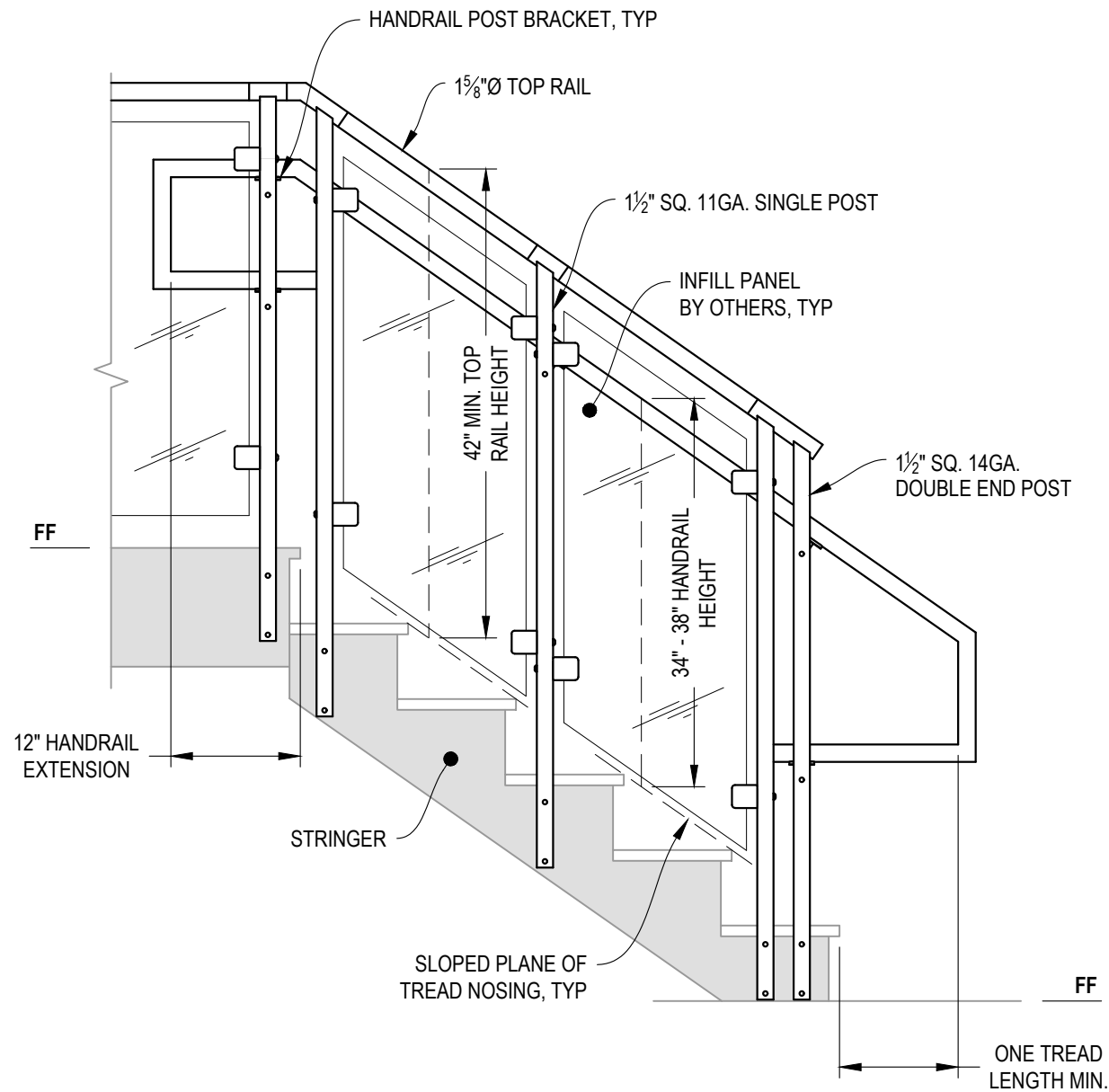
- DETAIL ID
- SHEET ID
- ELEVATION ID
- SIDE MOUNT POST
- SIDE MOUNT DOUBLE POST
- CENTERLINE
- FINISHED FLOOR
- TYPICAL CONDITION APPLIES ELSEWHERE AT SIMILAR CONDITIONS

NOTES:

1. DECK STRUCTURE CAN VARY GREATLY. IT IS THE RESPONSIBILITY OF THE CUSTOMER TO VERIFY THAT THE SUPPORTING STRUCTURE IS ADEQUATE TO MEET THE LOAD REQUIREMENTS OF THE GOVERNING BUILDING CODE(S). *AGS Stainless Inc.* RECOMMENDS CONSULTING A DESIGN OR CONSTRUCTION PROFESSIONAL TO ADDRESS THESE ISSUES.



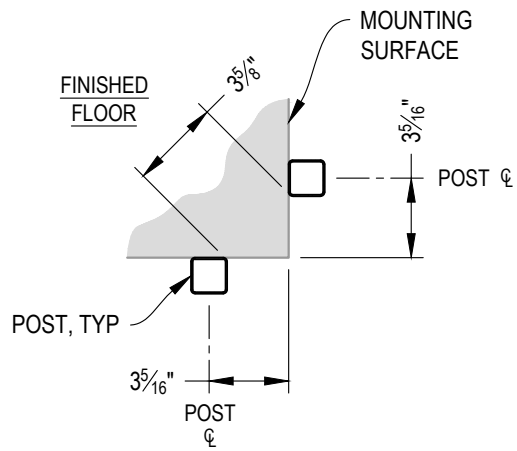
A **TYPICAL RAILING CONDITION**
ELEVATION



A STAIR
ELEVATION

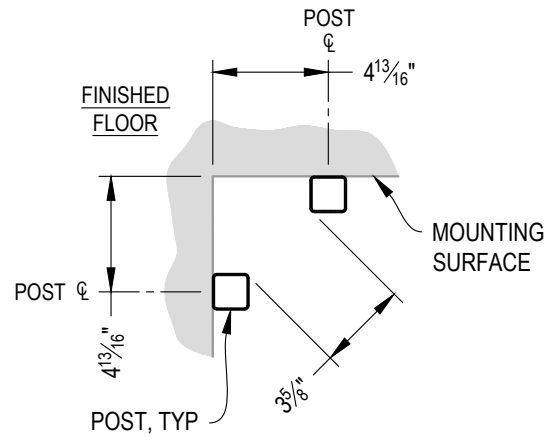
NOTES:

1. STAIR CONSTRUCTION VARIES GREATLY. AS-BUILT CONDITIONS MAY ALTER RAILING DESIGN, INCLUDING POST LOCATION & MOUNTING, INFILL SPACING, AND TOP RAIL LAYOUT.



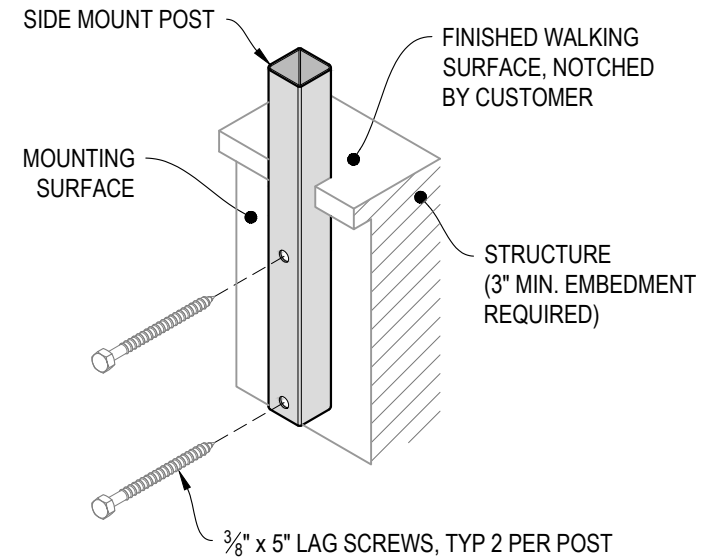
NOTE: 90° SHOWN, OTHER ANGLES SIMILAR

A TYPICAL 90° SIDE MOUNT OUTSIDE CORNER
DETAIL

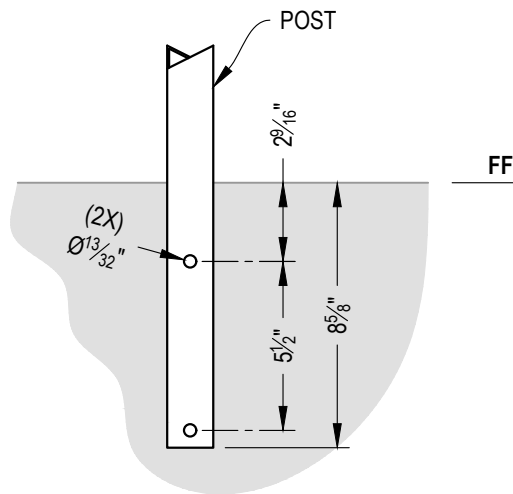


NOTE: 90° SHOWN, OTHER ANGLES SIMILAR

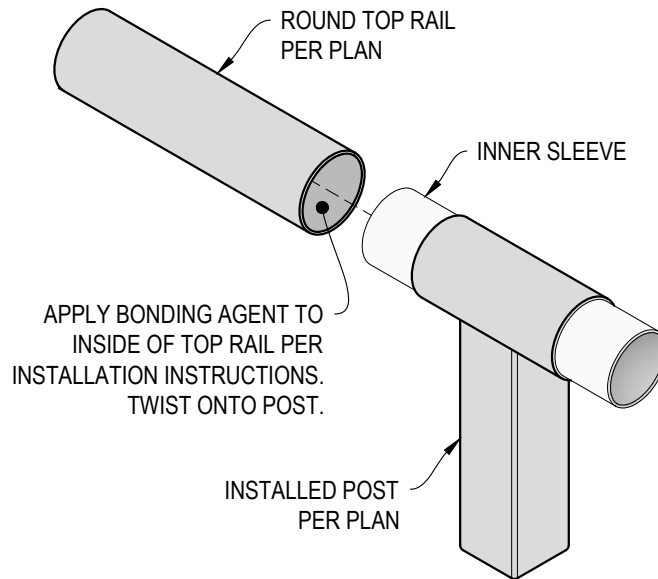
B TYPICAL 90° SIDE MOUNT INSIDE CORNER
DETAIL



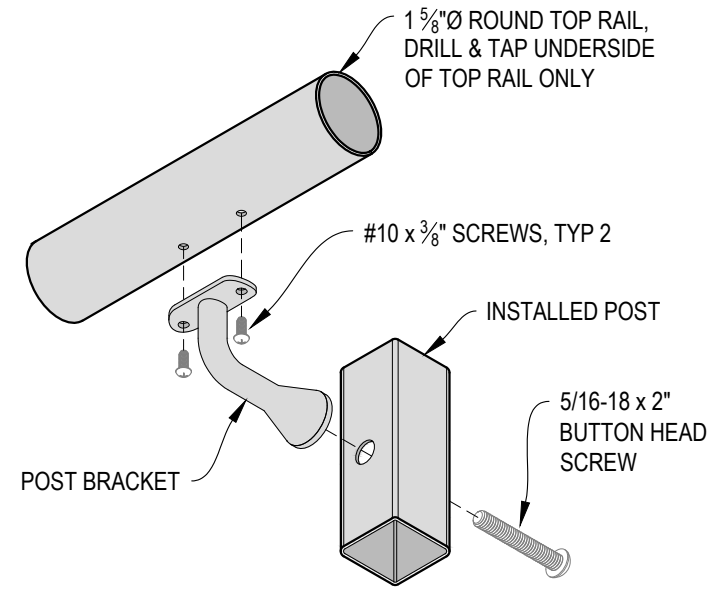
C TYPICAL POST MOUNTING - SIDE MOUNT
DETAIL



D TYPICAL POST MOUNTING - SIDE MOUNT
DETAIL



E TOP RAIL INSTALLATION - ROUND
DETAIL



F HANDRAIL POST BRACKET INSTALLATION - ROUND
DETAIL

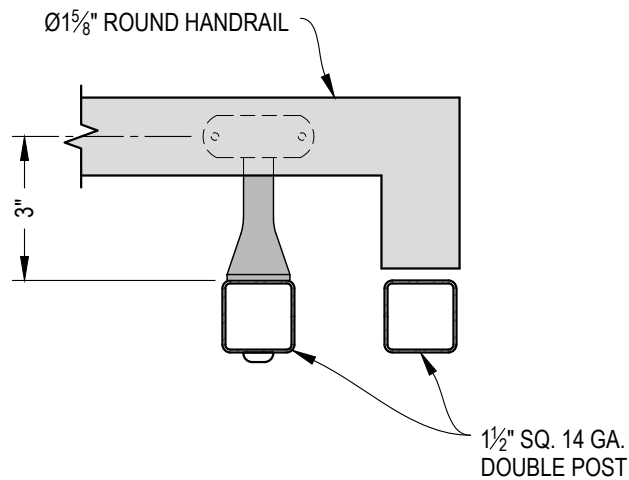
7873 NEDAY ROAD
BAINBRIDGE ISLAND, WA 98110
PHONE - (888) 842-9492
WWW.AGSSTAINLESS.COM

AGS stainless
CLEARVIEW® Railing Systems

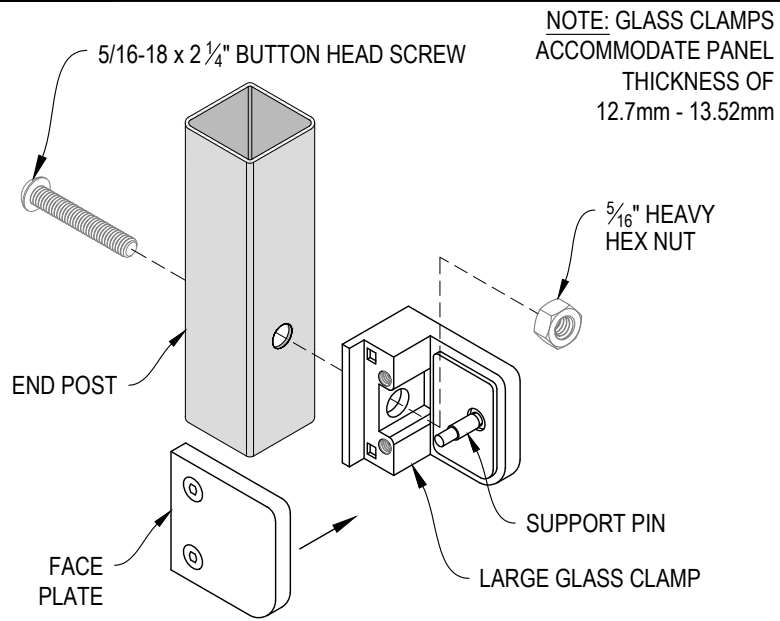
GLACIER SPECIFICATION DRAWING
** COMMERCIAL **

42" SIDE MOUNT - ROUND TOP

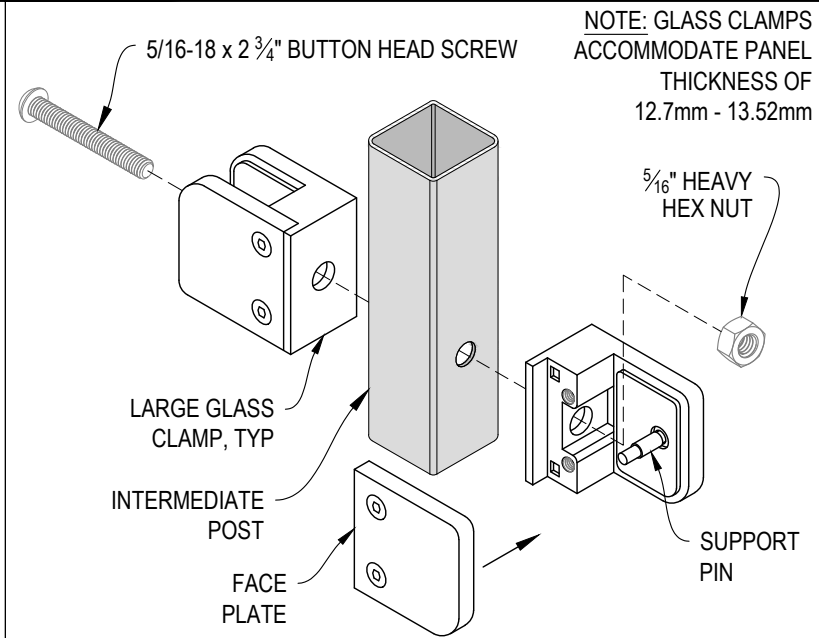
DWG # SM42RC
SCALE NONE
DATE 2026
SHEET



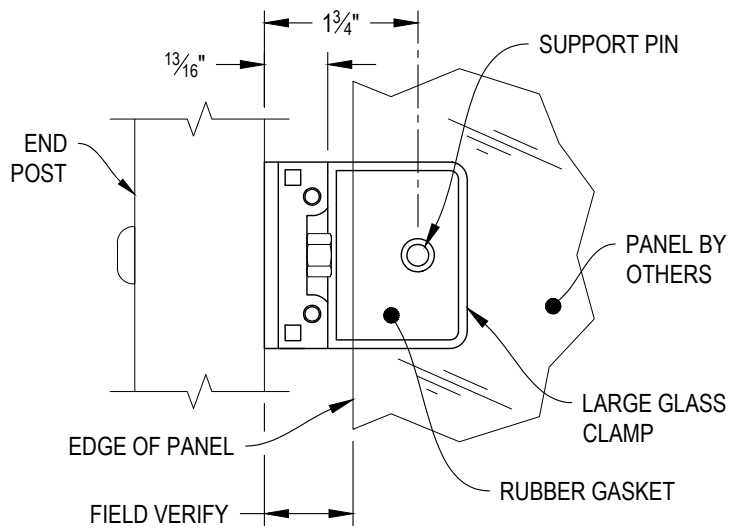
A TYPICAL HANDRAIL RETURN - ROUND
DETAIL



B END POST GLASS CLAMP INSTALLATION - LARGE
DETAIL



C INTERMEDIATE POST GLASS CLAMP INSTALLATION - LARGE
DETAIL



NOTE: FACE PLATE REMOVED FOR CLARITY.

D LARGE GLASS CLAMP WITH PIN
DETAIL