

1 **EXAMPLE POST LAYOUT**
PLAN VIEW

AGS Stainless Clearview® Railing Systems are designed to meet the requirements of the latest edition of the IRC/IBC.

NOTES:

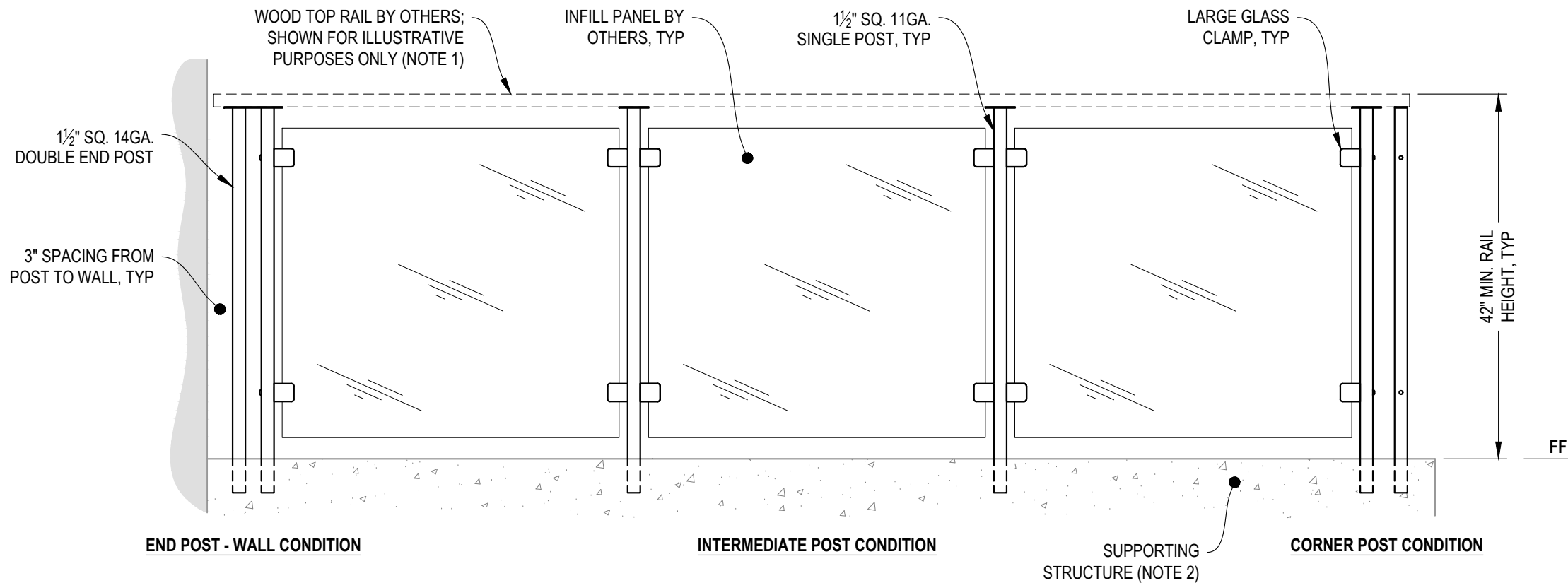
1. TOP RAIL NOT SHOWN FOR CLARITY.
2. ALL PARTS AND COMPONENTS MADE WITH 316 STAINLESS STEEL UNLESS NOTED OTHERWISE.

LEGEND

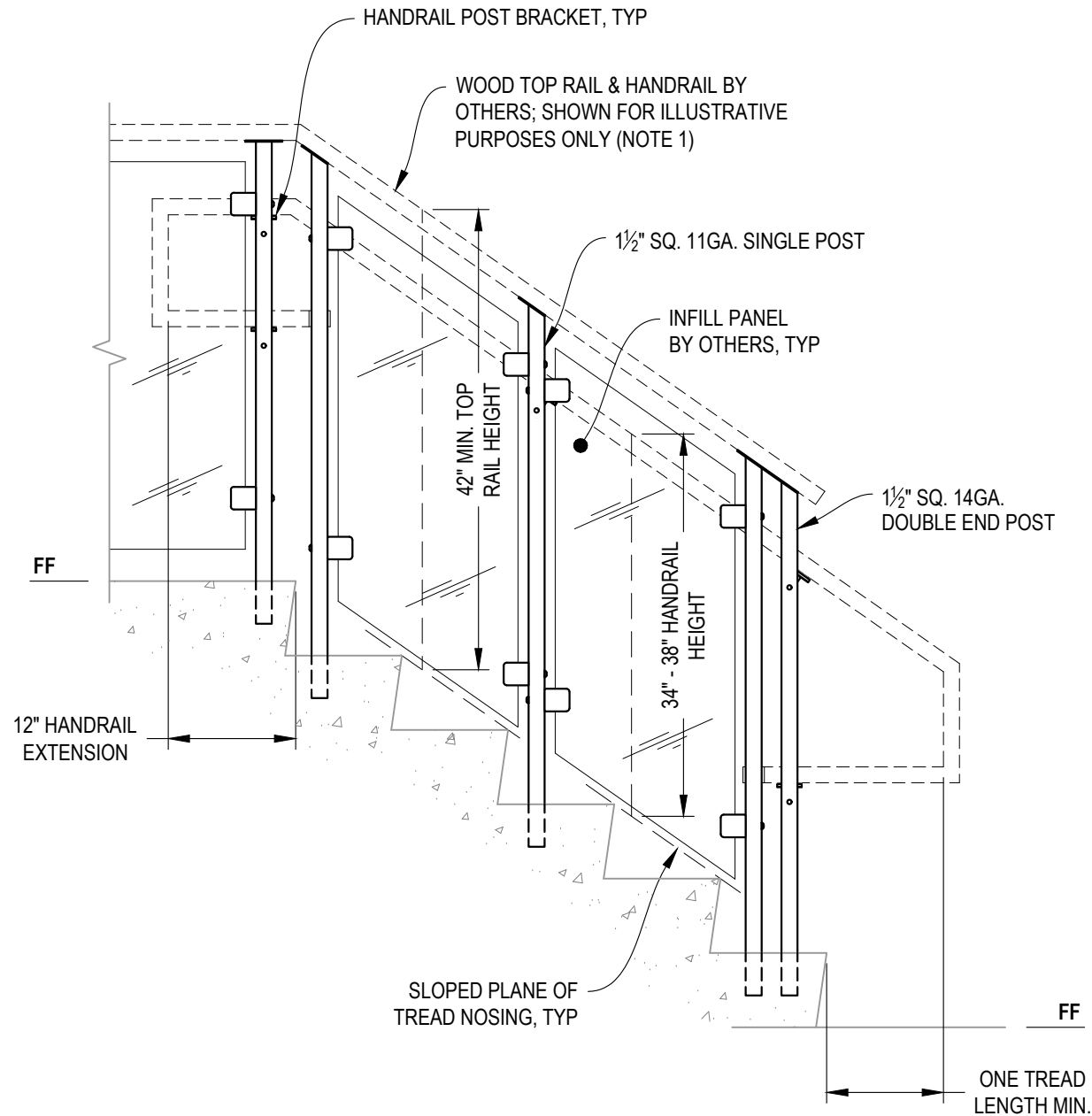
- DETAIL ID
- SHEET ID
- ELEVATION ID
- SHEET ID
- CORE DRILL POST
- CORE DRILL DOUBLE POST
- CENTERLINE
- FF** FINISHED FLOOR
- TYP TYPICAL CONDITION APPLIES ELSEWHERE AT SIMILAR CONDITIONS

NOTES:

1. TOP RAIL SHOULD BE SELECTED SO THAT ALL GOVERNING CODE REQUIREMENTS ARE SATISFIED. THESE INCLUDE SHAPE, STRENGTH AND RAILING HEIGHT.
2. DECK STRUCTURE CAN VARY GREATLY. IT IS THE RESPONSIBILITY OF THE CUSTOMER TO VERIFY THAT THE SUPPORTING STRUCTURE IS ADEQUATE TO MEET THE LOAD REQUIREMENTS OF THE GOVERNING BUILDING CODE(S). AGS Stainless Inc. RECOMMENDS CONSULTING A DESIGN OR CONSTRUCTION PROFESSIONAL TO ADDRESS THESE ISSUES.



A **TYPICAL RAILING CONDITION**
ELEVATION



A STAIR ELEVATION

NOTES:

1. TOP RAIL SHOULD BE SELECTED SO THAT ALL GOVERNING CODE REQUIREMENTS ARE SATISFIED. THESE INCLUDE SHAPE, STRENGTH, AND RAILING HEIGHT.
2. STAIR CONSTRUCTION VARIES GREATLY. AS-BUILT CONDITIONS MAY ALTER RAILING DESIGN, INCLUDING POST LOCATION & MOUNTING, INFILL SPACING, AND TOP RAIL LAYOUT.



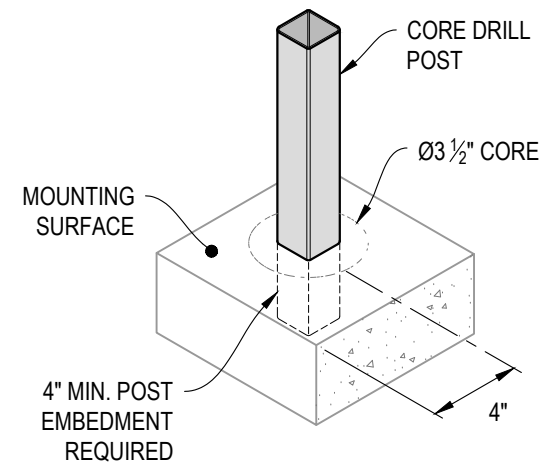
NOTE: 90° SHOWN, OTHER ANGLES SIMILAR

A TYPICAL 90° TOP MOUNT OUTSIDE CORNER
DETAIL

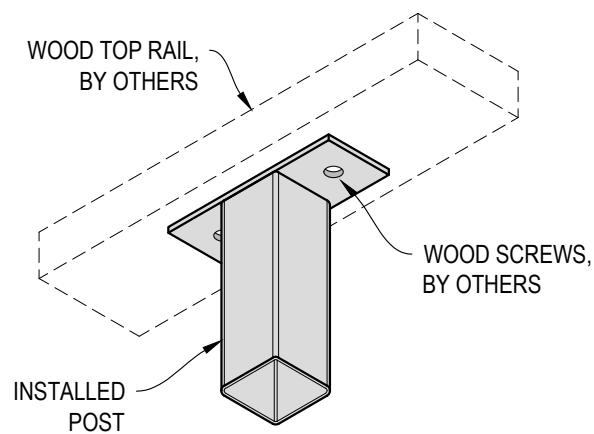


NOTE: 90° SHOWN, OTHER ANGLES SIMILAR

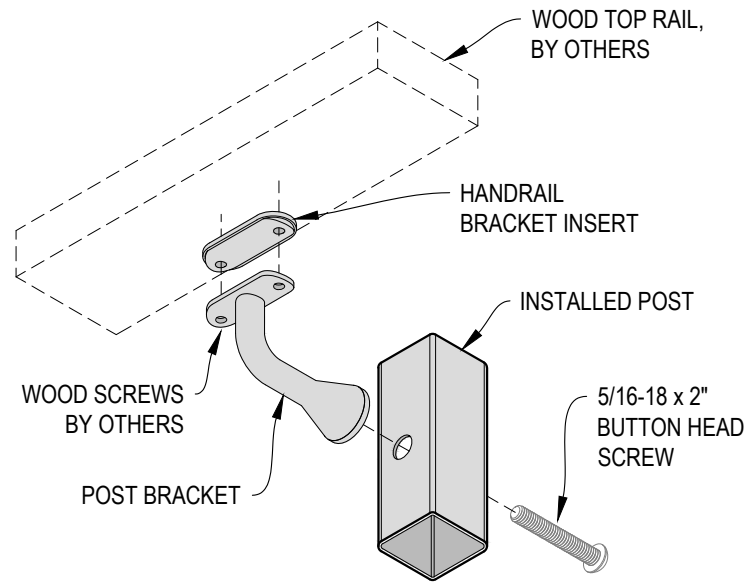
B TYPICAL 90° TOP MOUNT INSIDE CORNER
DETAIL



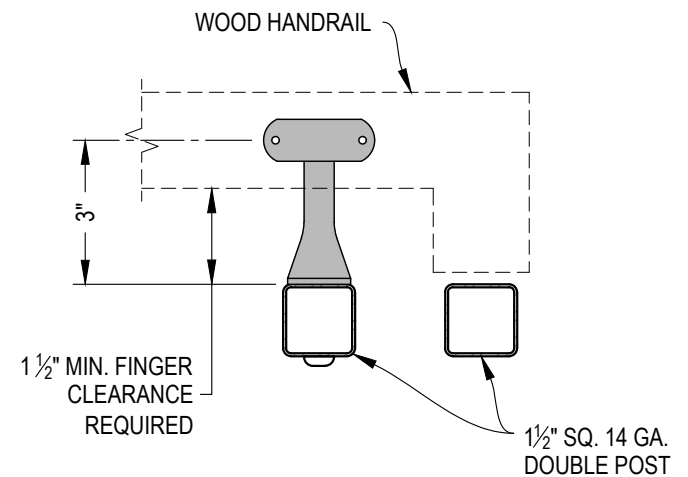
C TYPICAL POST MOUNTING - CORE DRILL
DETAIL



D TOP RAIL INSTALLATION - WOOD
DETAIL

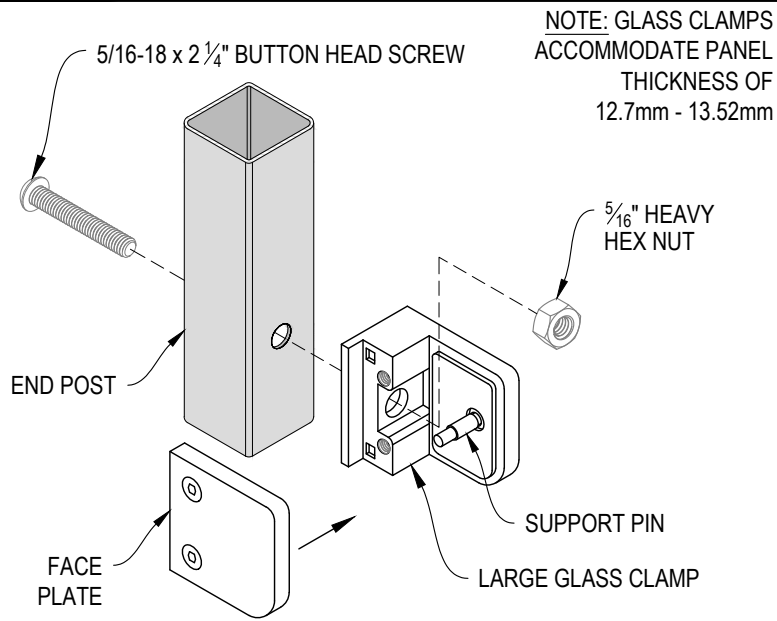


E HANDRAIL POST BRACKET INSTALLATION - WOOD
DETAIL



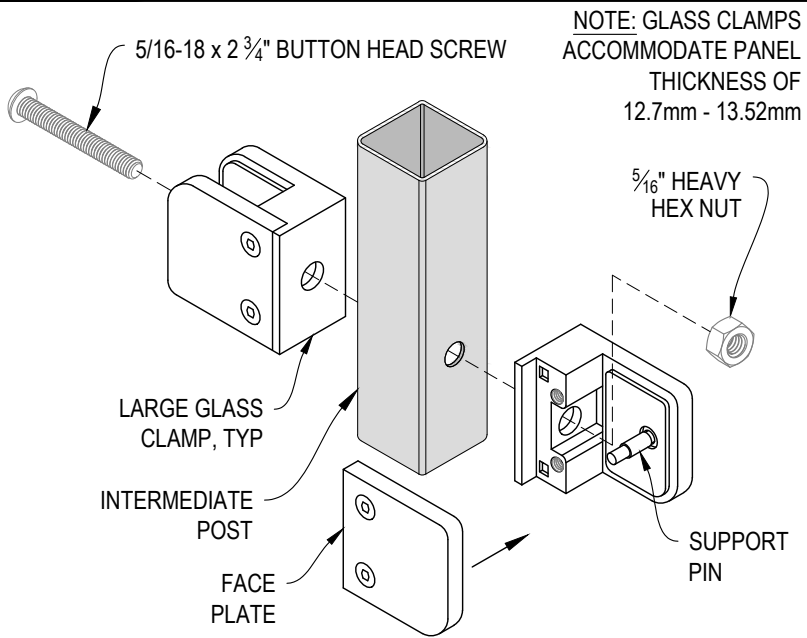
NOTE: VIEW MAY BE MIRRORED

F TYPICAL HANDRAIL RETURN - WOOD
DETAIL



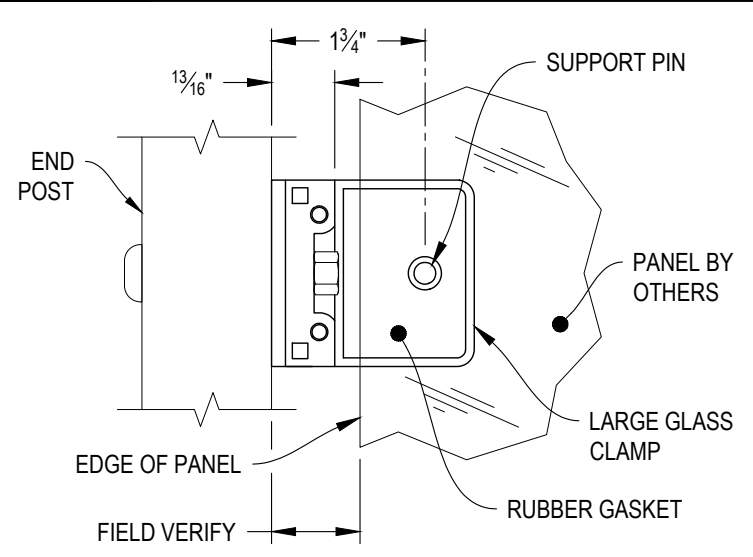
NOTE: GLASS CLAMPS ACCOMMODATE PANEL THICKNESS OF 12.7mm - 13.52mm

A END POST GLASS CLAMP INSTALLATION - LARGE DETAIL



NOTE: GLASS CLAMPS ACCOMMODATE PANEL THICKNESS OF 12.7mm - 13.52mm

B INTERMEDIATE POST GLASS CLAMP INSTALLATION - LARGE DETAIL



NOTE: FACE PLATE REMOVED FOR CLARITY.

C LARGE GLASS CLAMP WITH PIN DETAIL

7873 NEDAY ROAD
BAINBRIDGE ISLAND, WA 98110
PHONE - (888) 842-9492
WWW.AGSTAINLESS.COM



GLACIER SPECIFICATION DRAWING
** COMMERCIAL **
42" CORE DRILL - WOOD TOP

DWG #
CD42WC
SCALE
NONE
DATE
2026
SHEET