

1 EXAMPLE POST LAYOUT
PLAN VIEW

NOTES:

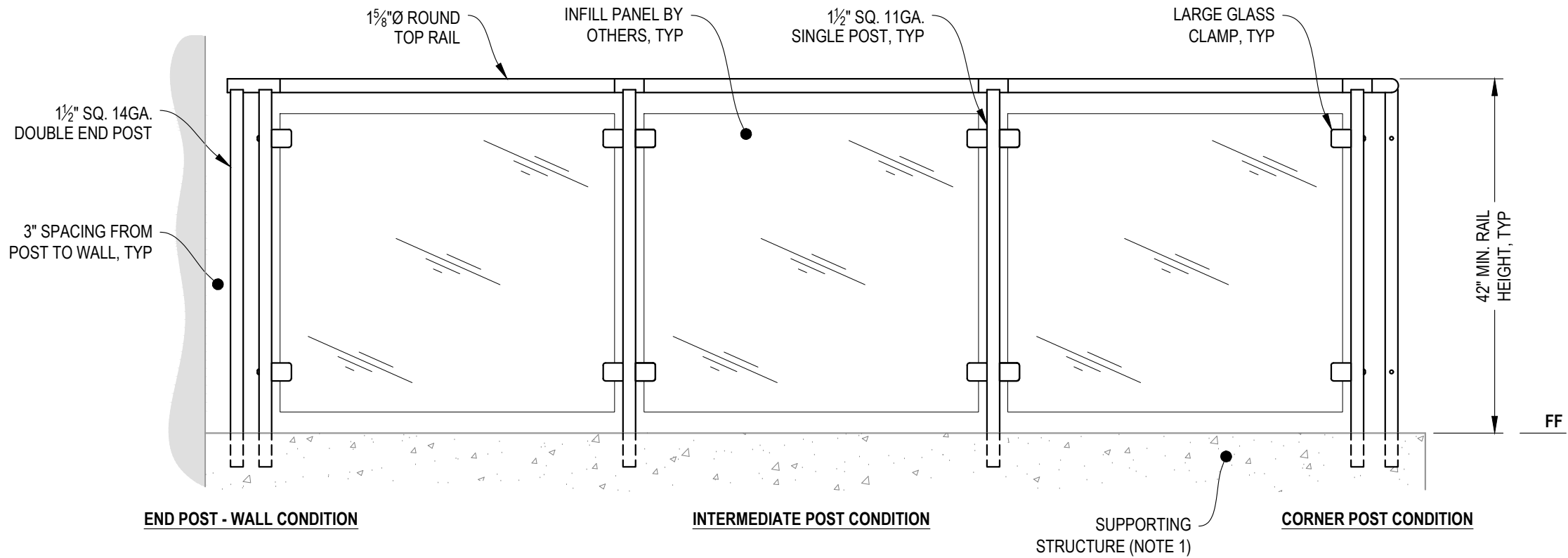
1. TOP RAIL NOT SHOWN FOR CLARITY.
2. ALL PARTS AND COMPONENTS MADE WITH 316 STAINLESS STEEL UNLESS NOTED OTHERWISE.

LEGEND

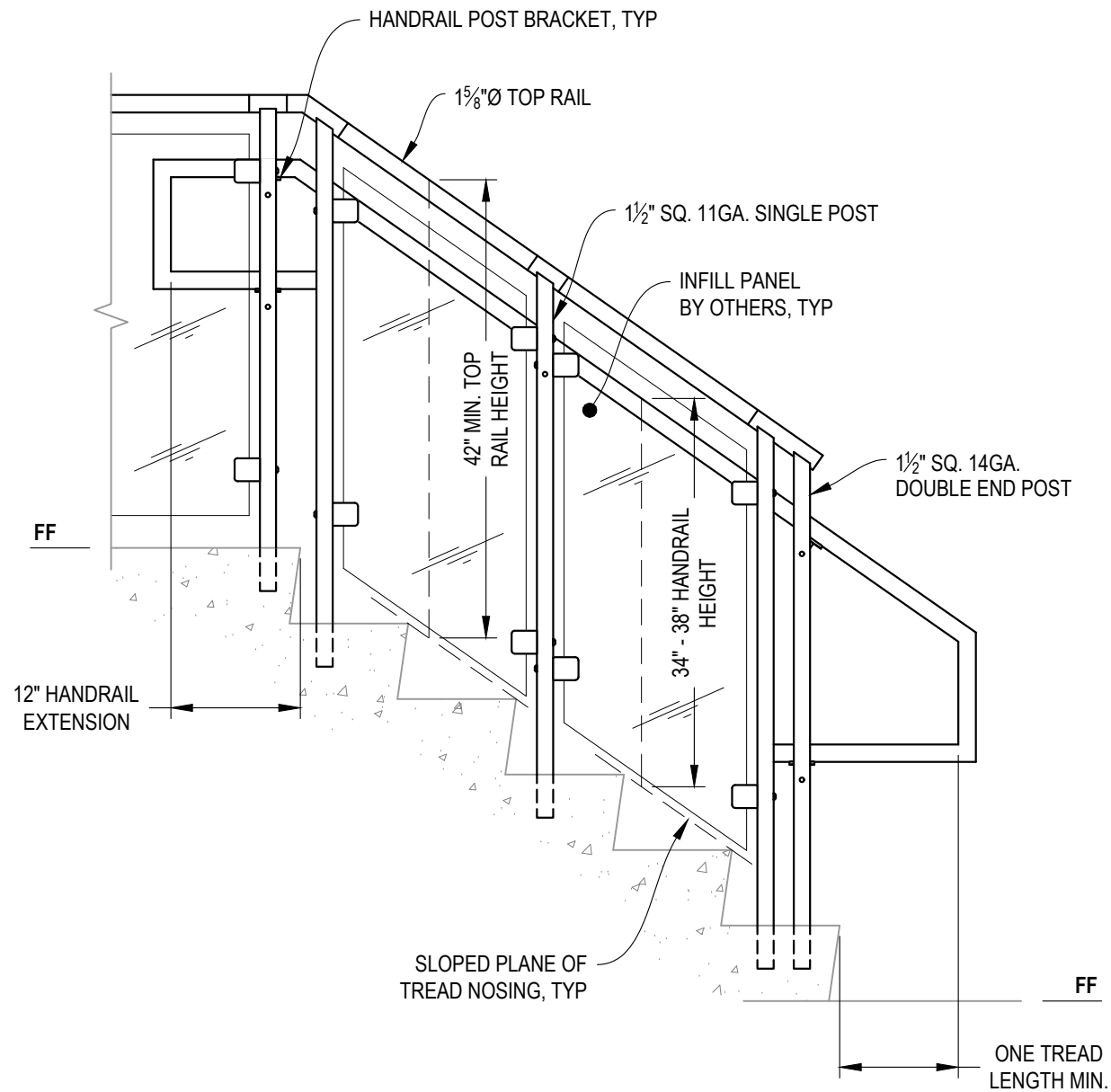
- DETAIL ID
- SHEET ID
- ELEVATION ID
- SHEET ID
- CORE DRILL POST
- CORE DRILL DOUBLE POST
- CENTERLINE
- FF** FINISHED FLOOR
- TYP TYPICAL CONDITION APPLIES ELSEWHERE AT SIMILAR CONDITIONS

NOTES:

1. DECK STRUCTURE CAN VARY GREATLY. IT IS THE RESPONSIBILITY OF THE CUSTOMER TO VERIFY THAT THE SUPPORTING STRUCTURE IS ADEQUATE TO MEET THE LOAD REQUIREMENTS OF THE GOVERNING BUILDING CODE(S). *AGS Stainless Inc.* RECOMMENDS CONSULTING A DESIGN OR CONSTRUCTION PROFESSIONAL TO ADDRESS THESE ISSUES.



A **TYPICAL RAILING CONDITION**
ELEVATION



A STAIR
ELEVATION

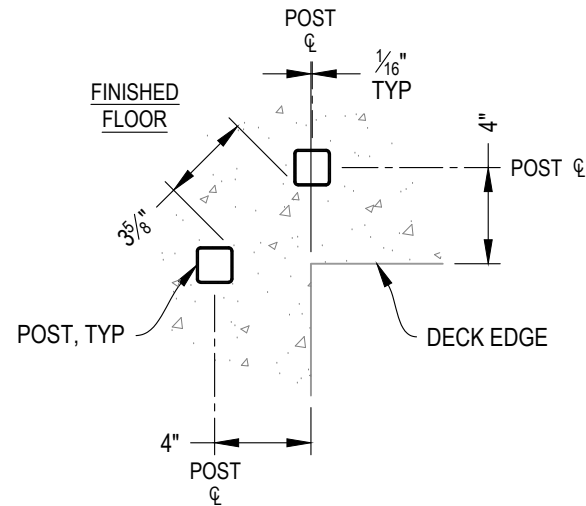
NOTES:

1. STAIR CONSTRUCTION VARIES GREATLY. AS-BUILT CONDITIONS MAY ALTER RAILING DESIGN, INCLUDING POST LOCATION & MOUNTING, INFILL SPACING, AND TOP RAIL LAYOUT.



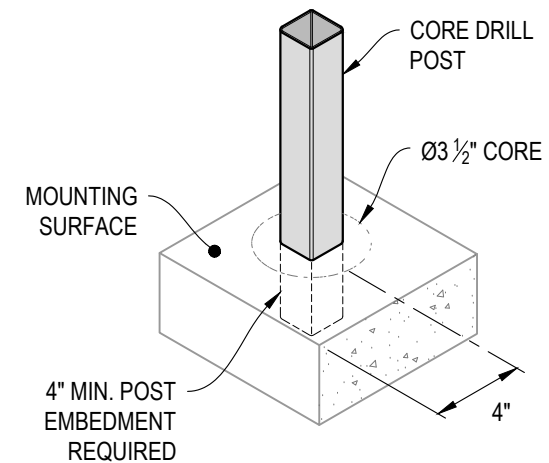
NOTE: 90° SHOWN, OTHER ANGLES SIMILAR

A TYPICAL 90° TOP MOUNT OUTSIDE CORNER
DETAIL

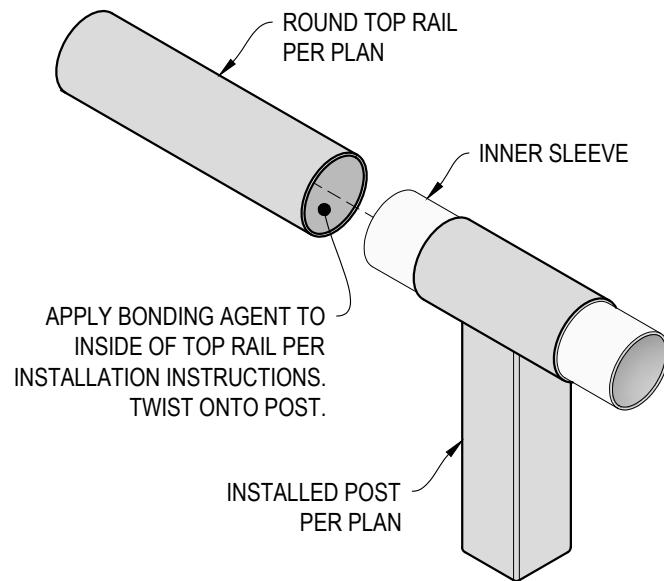


NOTE: 90° SHOWN, OTHER ANGLES SIMILAR

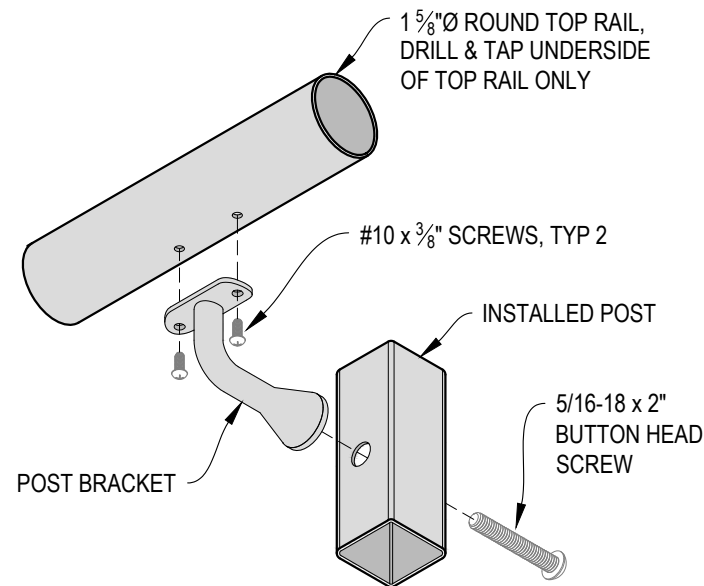
B TYPICAL 90° TOP MOUNT INSIDE CORNER
DETAIL



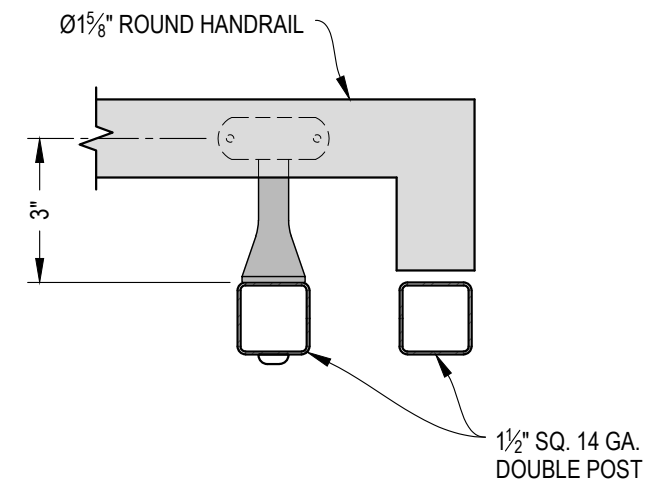
C TYPICAL POST MOUNTING - CORE DRILL
DETAIL



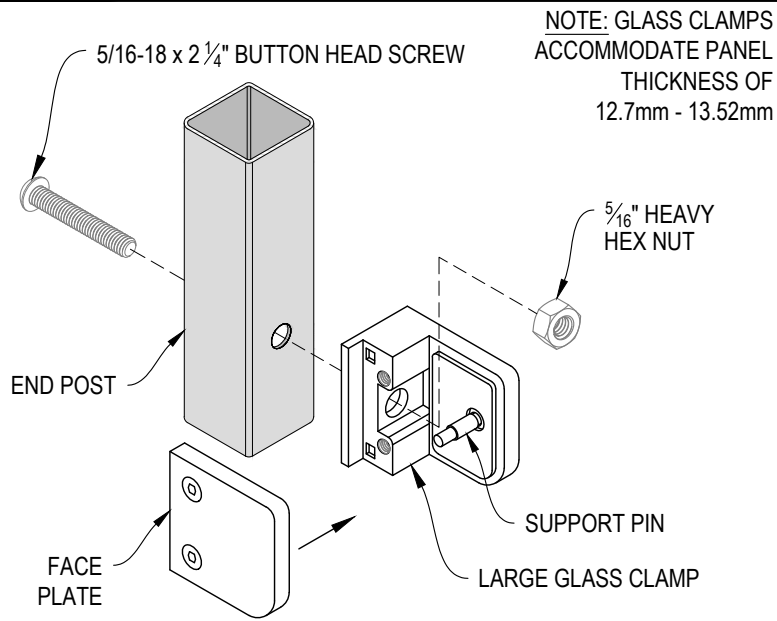
D TOP RAIL INSTALLATION - ROUND
DETAIL



E HANDRAIL POST BRACKET INSTALLATION - ROUND
DETAIL

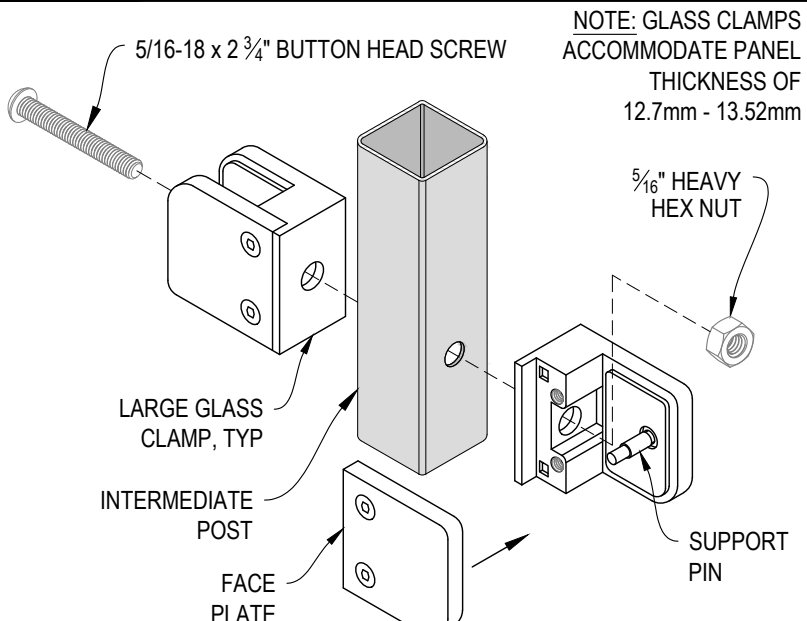


F TYPICAL HANDRAIL RETURN - ROUND
DETAIL



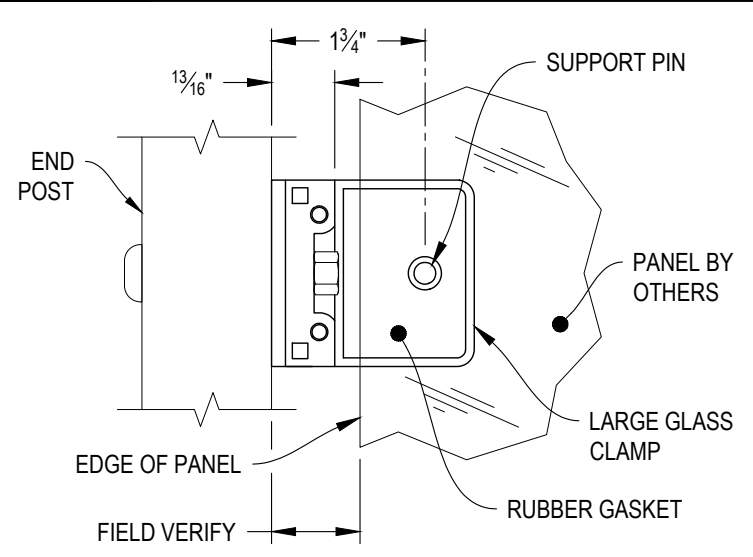
NOTE: GLASS CLAMPS ACCOMMODATE PANEL THICKNESS OF 12.7mm - 13.52mm

A END POST GLASS CLAMP INSTALLATION - LARGE DETAIL



NOTE: GLASS CLAMPS ACCOMMODATE PANEL THICKNESS OF 12.7mm - 13.52mm

B INTERMEDIATE POST GLASS CLAMP INSTALLATION - LARGE DETAIL



NOTE: FACE PLATE REMOVED FOR CLARITY.

C LARGE GLASS CLAMP WITH PIN DETAIL

7873 NEDAY ROAD
BAINBRIDGE ISLAND, WA 98110
PHONE - (888) 842-9492
WWW.AGSSTAINLESS.COM



GLACIER SPECIFICATION DRAWING
** COMMERCIAL **

42" CORE DRILL - ROUND TOP

DWG # CD42RC
SCALE NONE
DATE 2026
SHEET